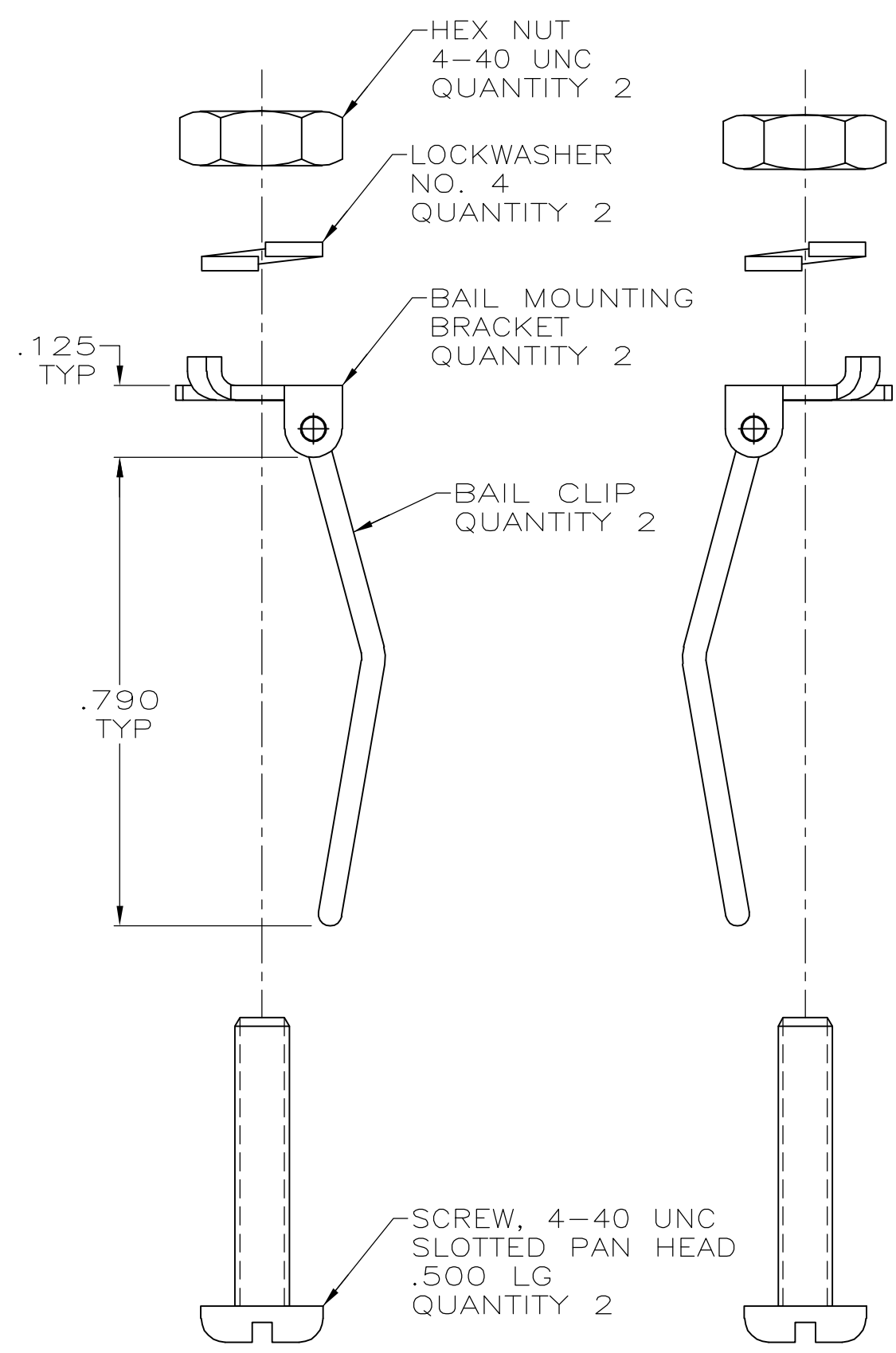
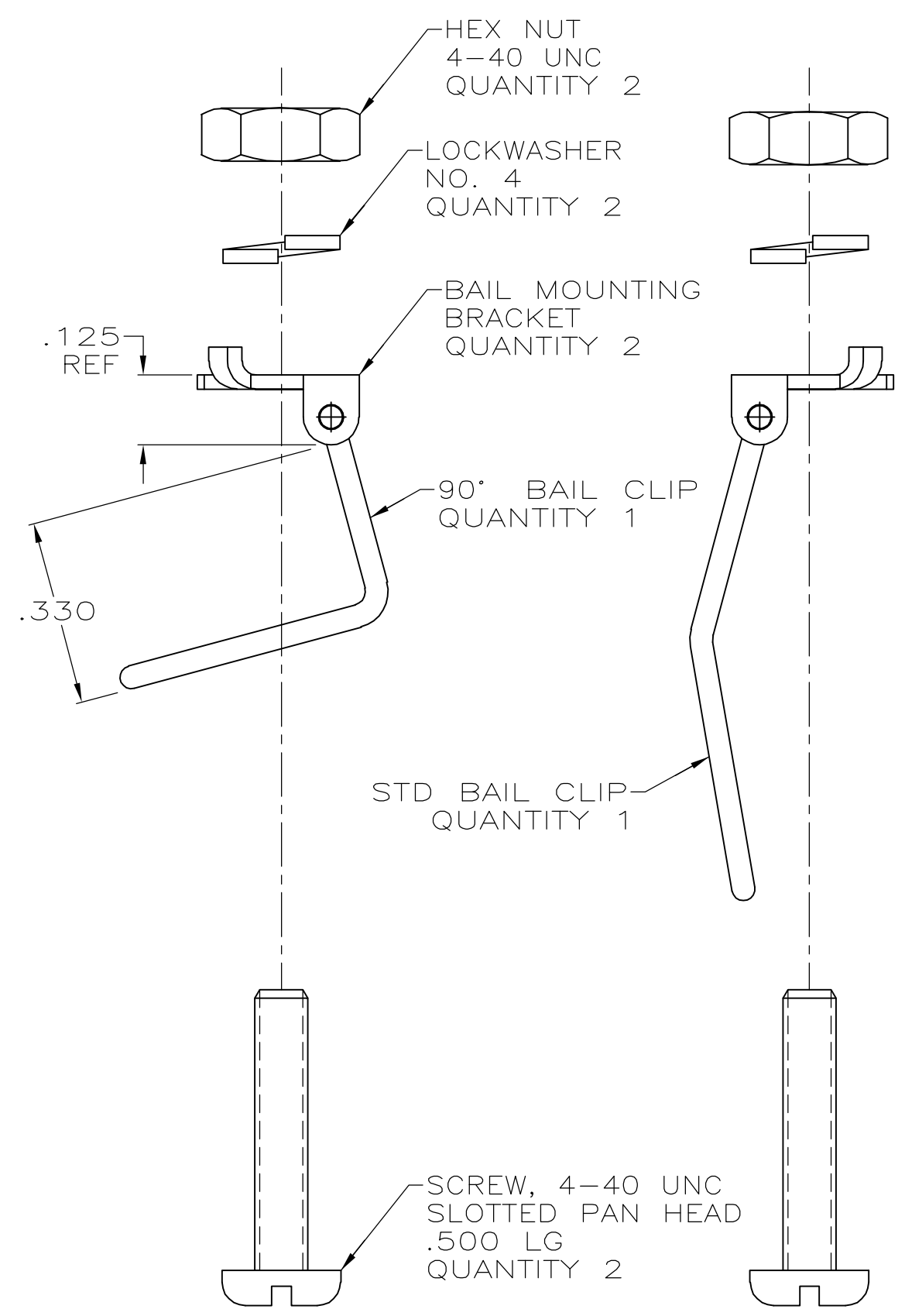


THIS DRAWING IS UNPUBLISHED. RELEASED FOR PUBLICATION
 © COPYRIGHT 2005 BY TYCO ELECTRONICS CORPORATION. ALL RIGHTS RESERVED.

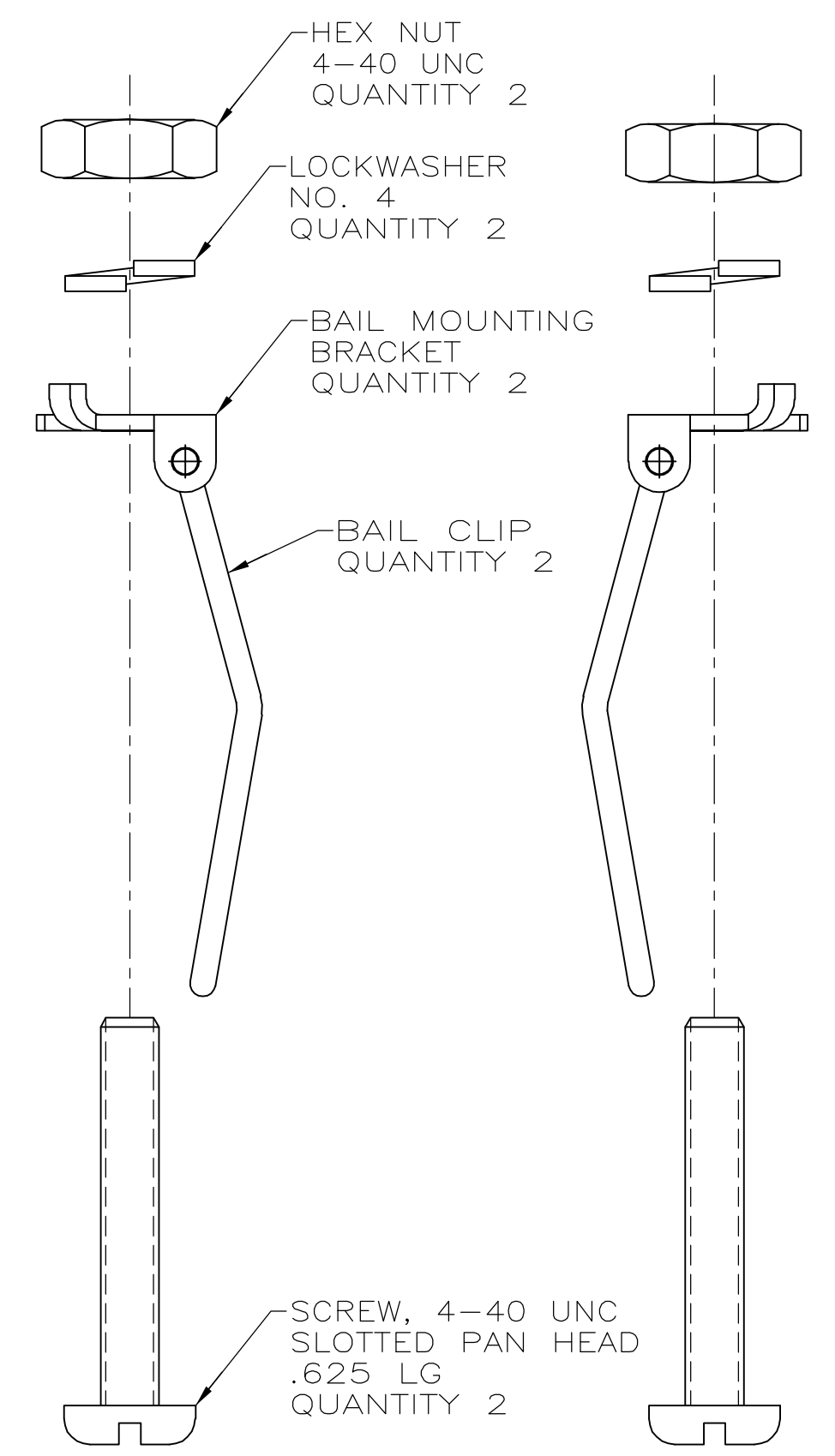
| LOC | DIST | REVISIONS | | | |
|-----|------|------------------------------|---------|-----|------|
| P | LTR | DESCRIPTION | DATE | DWN | APVD |
| 0 | | RELEASED PER EC 0513-0288-05 | 26SEP05 | GP | JG |



PN 5552567-1



PN 5552567-2



PN 5552567-3

1 MATERIAL: BAIL CLIP - STAINLESS STEEL, PASSIVATED;
 ALL OTHERS PARTS ZINC PLATED STEEL.
 2. PARTS SHIPPED LOOSE PIECE IN A BAG OR CONTAINER.

| SCREW LGTH. | 90° BAIL CLIP | STD. BAIL CLIP | PART NO. |
|-------------|---------------|----------------|-----------|
| .625 | - | 2 | 5552567-3 |
| .500 | 1 | 1 | 5552567-2 |
| .500 | - | 2 | 5552567-1 |

THIS DRAWING IS A CONTROLLED DOCUMENT.

| | | | |
|--------------------------------|---|-------------------------|-----------------|
| DWN G.PETERS 26SEP2005 | Tyco Electronics Corporation Harrisburg, Pa 17105-3608 | | |
| CHK W.MILLHIMES 226SEP05 | | | |
| APVD M.WALMSLEY 26SEP05 | | | |
| NAME | | | |
| DIMENSIONS: mm [INCHES] | TOLERANCES UNLESS OTHERWISE SPECIFIED: | | |
| 0 PLC ± - | 1 PLC ± - | | |
| 1 PLC ± - | 2 PLC ± - | | |
| 2 PLC ± - | 3 PLC ± - | | |
| 3 PLC ± - | 4 PLC ± - | | |
| 4 PLC ± - | ANGLES ± ± - | | |
| MATERIAL | FINISH | | |
| 1 | 1 | | |
| PRODUCT SPEC | APPLICATION SPEC | | |
| SIZE A2 | CAGE CODE 00779 | DRAWING NO G-5552567 | RESTRICTED TO |
| WEIGHT | CUSTOMER DRAWING | SCALE 4:1 | SHEET 1 OF 1 |
| | | REV 0 | |

5552567

X-ON Electronics

Largest Supplier of Electrical and Electronic Components

Click to view similar products for [D-Sub Tools & Hardware](#) category:

Click to view products by [TE Connectivity](#) manufacturer:

Other Similar products are found below :

[000-01-09-132](#) [000-01-21-132](#) [000-01-31-162](#) [572019-00105-70](#) [000-01-37-162](#) [621-250-113-115](#) [D110550-2](#) [D20418-137](#) [780-518-50SG6-WS](#) [86552009](#) [86553115TLF](#) [86553117TLF](#) [1230032-1](#) [1-5021101-2](#) [1589283-4](#) [160-000-005R031](#) [16-000230](#) [160-025-004R031](#) [160-000-137R000](#) [160-020-209R000](#) [164C03939A](#) [177-505-A-2-2](#) [1-966830-8](#) [21018-6](#) [21028-2](#) [2-1393560-9](#) [JS-1000](#) [L17D204182M3E](#) [L17D53018](#) [300X10779X](#) [160X10189X](#) [160X10419X](#) [160X10959X](#) [162-000-050R000](#) [21018-5](#) [212561-3](#) [248C21550X](#) [CF15P](#) [QLOCKPOST-2](#) [D110277](#) [500-008NF1K-01](#) [500-008NF3R3KS-01](#) [500-017M09FN](#) [500-017M15MHN](#) [500-024M1](#) [500-068M3](#) [5-1393561-5](#) [C115373-0001](#) [C115373-0002](#) [3342-4-KIT](#)