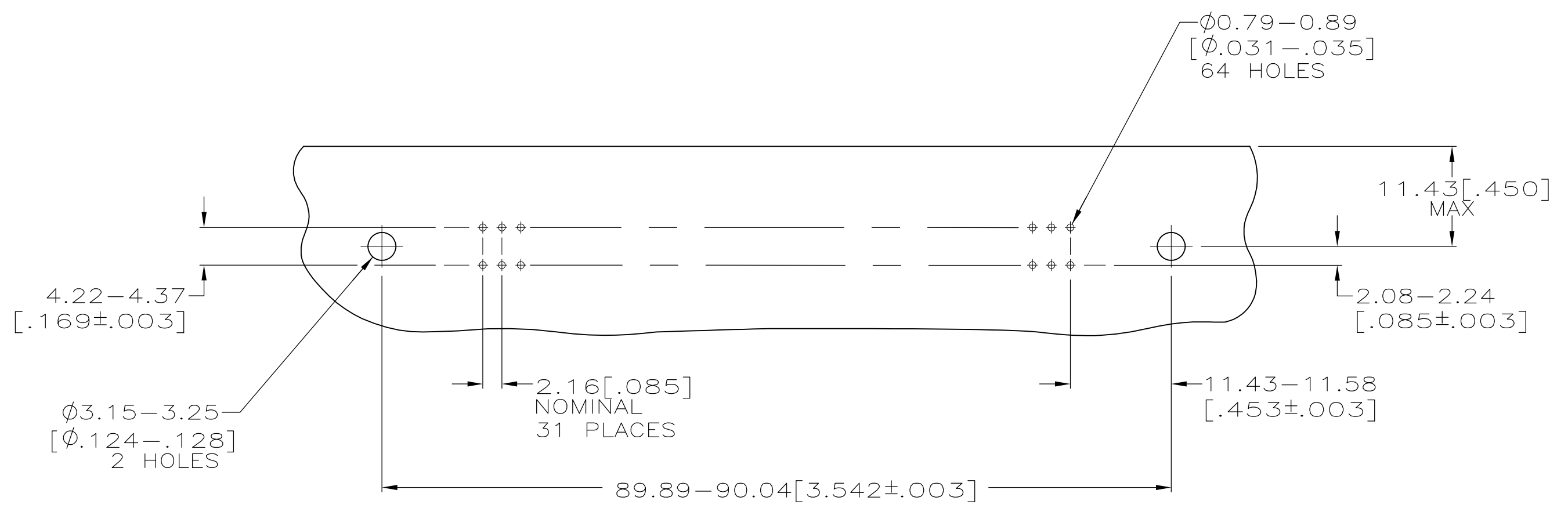
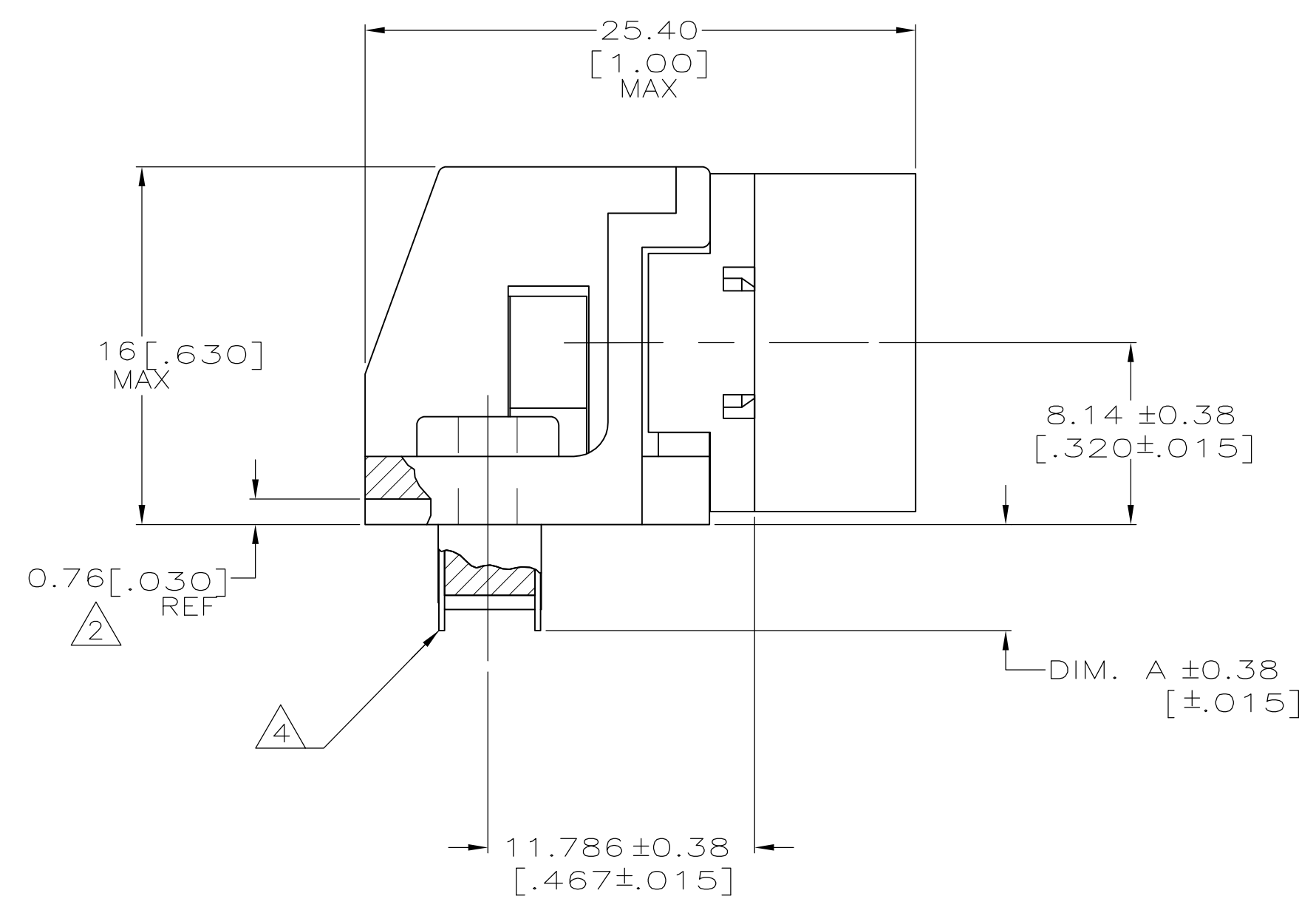
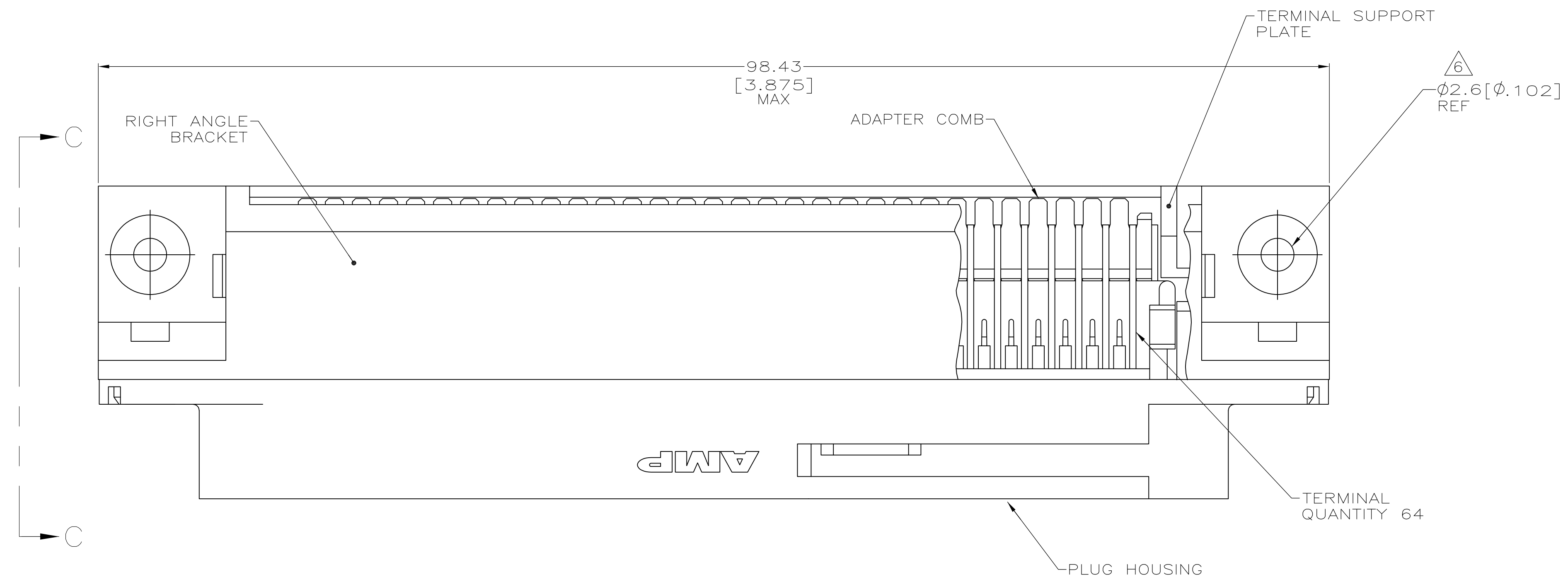


| LOC | | DIST | | REVISIONS | | | |
|-----|-----|---------------------------|------|-----------|------|----|--|
| P | LTR | DESCRIPTION | DATE | DMN | APVD | | |
| B | | REVISED PER ECO-08-007327 | | OBAPROB | BM | WM | |

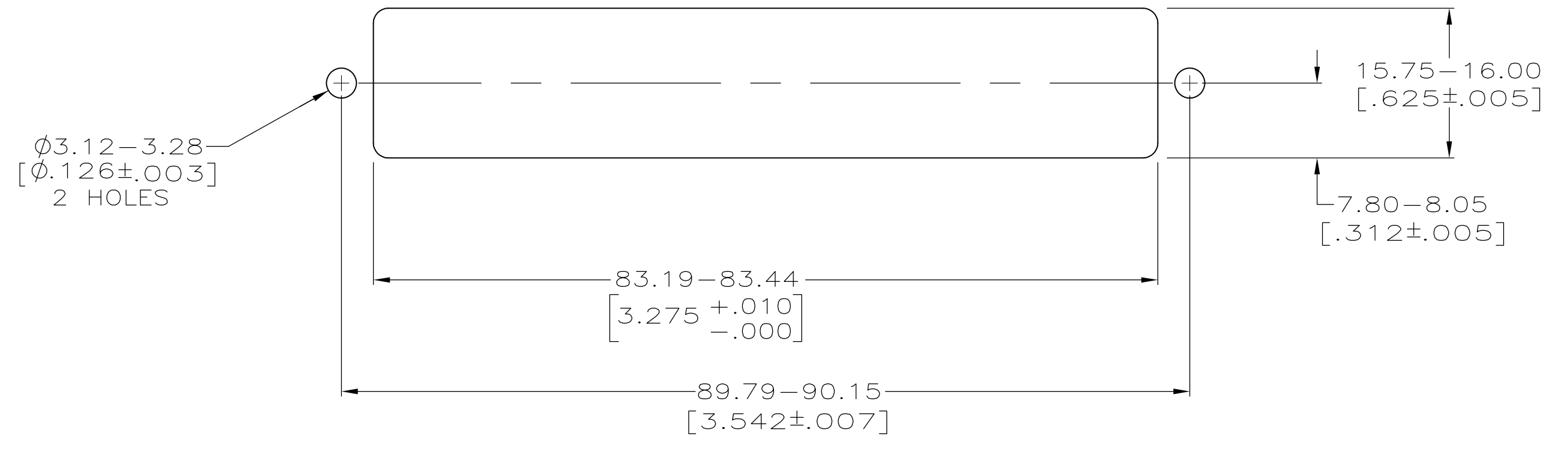


SUGGESTED PRINTED CIRCUIT BOARD MOUNTING DIMENSIONS SCALE 2:1

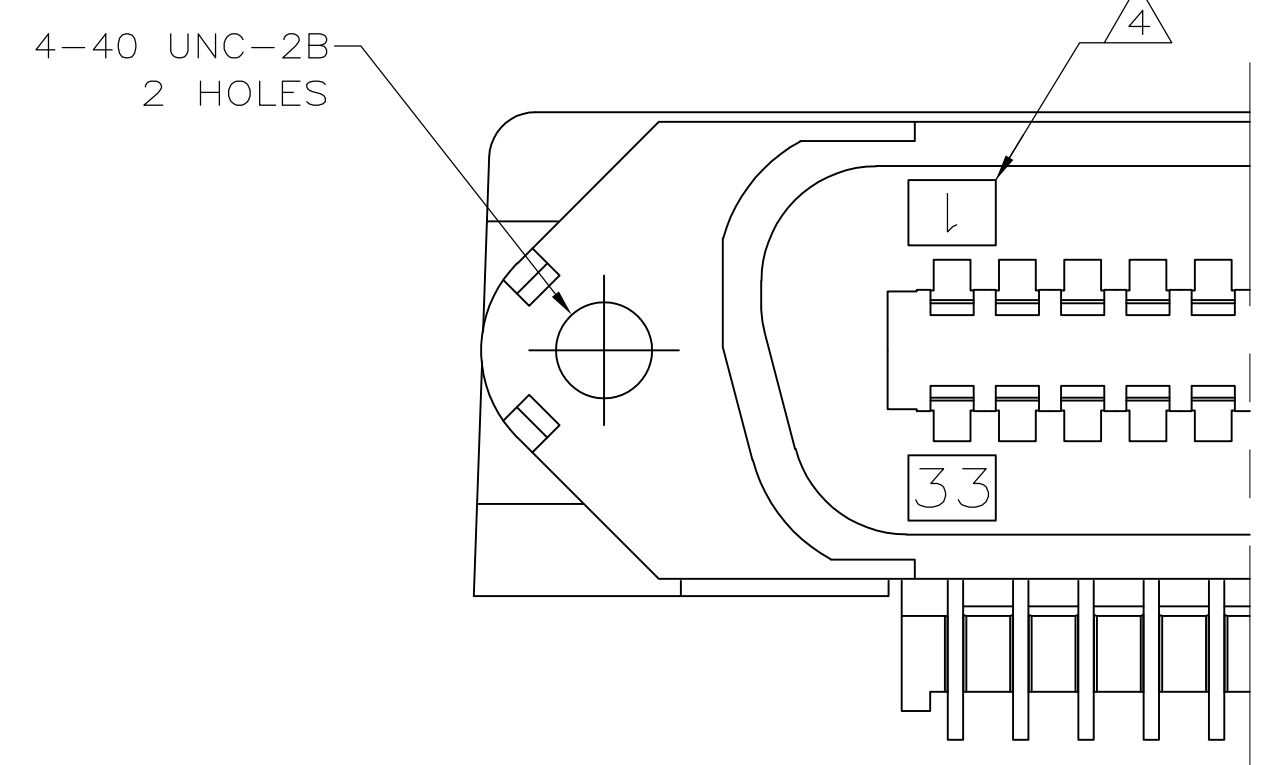
- 1 MATERIAL: HOUSING, BRACKET, PLATE AND COMB - THERMOPLASTIC, BLACK, 94V-0 RATED. TERMINALS - HIGH STRENGTH COPPER ALLOY PLATED WITH EITHER 0.76 μ m [.000030] MIN GOLD PLATE OR GOLD FLASH OVER PALLADIUM NICKEL PLATE, 0.76 μ m [.000030] MIN TOTAL ON MATING SURFACE. 3.05 μ m [.000120] MIN TIN PLATE ON TAILS. ALL OVER 1.27 μ m [.000050] MIN NICKEL UNDERPLATE OVER ENTIRE TERMINAL.
- 2 TERMINAL SUPPORT PLATE CLEARANCE FOR TERMINAL STRAIN RELIEF AND FLUX REMOVAL.
- 3 MAXIMUM PANEL THICKNESS: 1.57 [.062].
- 4 TERMINAL 1 IS LOCATED IN THIS ROW FOR STANDARD ORIENTATION, 5552745-1 AND -5.
- 5 DETAIL "A" IS VIEWED FROM MATING SIDE OF PLUG ASSEMBLY.
- 6 FOR USE WITH A NO.4 BT TYPE SELF-TAPPING SCREW.
- 7. IF TERMINALS DO NOT EXTEND BELOW COMB, THEN COMB SHOULD BE PARTIALLY RETRACTED BEFORE INSERTING CONNECTOR INTO PRINTED CIRCUIT BOARD.



VIEW C-C ROTATED 90° CCW



SUGGESTED REAR PANEL MOUNTING CUTOUT DIMENSIONS SCALE 2:1



DETAIL A STANDARD ORIENTATION

| 2.54 [.100] | SELF-TAPPING | SEE DETAIL A | 5552745-5 |
|-------------|------------------|--------------|-------------|
| 4.75 [.187] | SELF-TAPPING | SEE DETAIL A | 5552745-1 |
| DIM. A | TYPE OF MOUNTING | DESCRIPTION | PART NUMBER |

| | | | | | |
|--|--|--|--|---|--|
| THIS DRAWING IS A CONTROLLED DOCUMENT. | | DIN B MCMMASTER 16AUG05 | | Tyco Electronics Corporation Harrisburg, PA 17105-3608 | |
| DIMENSIONS: mm [INCHES] | | TOLERANCES UNLESS OTHERWISE SPECIFIED: | | NAME: PLUG ASSEMBLY, 64 POSITION, RIGHT ANGLE, SELF-TAPPING, CHAMP-LOK® | |
| 0 PLC ± - | | 1 PLC ± - | | APVD: W. WALSLEY 16AUG05 | |
| 1 PLC ± - | | 2 PLC ± - | | APPLICATION SPEC | |
| 2 PLC ± - | | 3 PLC ± 0.13 [.005] | | SIZE: A1 | |
| 3 PLC ± - | | 4 PLC ± - | | CAGE CODE: 00779 | |
| 4 PLC ± - | | ANGLES ± - | | DRAWING NO: 5552745 | |
| MATERIAL 1 | | FINISH 1 | | WEIGHT: - | |
| CUSTOMER DRAWING | | SCALE: 4:1 | | SHEET 1 OF 1 | |

X-ON Electronics

Largest Supplier of Electrical and Electronic Components

Click to view similar products for [Headers & Wire Housings](#) category:

Click to view products by [TE Connectivity](#) manufacturer:

Other Similar products are found below :

[57102-F02-18ULF](#) [58102-G61-06LF](#) [582553-1](#) [009176003701906](#) [0050291907](#) [02.125.8002.8](#) [609-3404](#) [61062-3](#) [622-0430](#) [622-3653LF](#)
[63453-116](#) [636-1030](#) [636-1427](#) [636-3427](#) [636-4007](#) [641938-9](#) [65495-038](#) [65692-001LF](#) [65781-018](#) [65781-047](#) [65817-010LF](#) [65817-015LF](#)
[66207-023LF](#) [67095-007LF](#) [68631-112](#) [68645-018](#) [68648-049](#) [699319-000](#) [M90C108951C](#) [70.362.1628.0](#) [70-4210](#) [70-4226B](#) [70-4853B](#)
[707-5020](#) [707-5028](#) [71.350.2428.0](#) [71961-016LF](#) [733-134](#) [754199-000](#) [760-3052](#) [787-8014-00](#) [80.063.4001.1](#) [800-90-001-10-001000](#)
[801-43-002-10-013000](#) [801-43-006-10-002000](#) [803-41-018-10-001000](#) [803-43-014-20-001000](#) [803-43-024-10-001000](#) [803-93-012-10-001000](#)
[8-1437020-4](#)