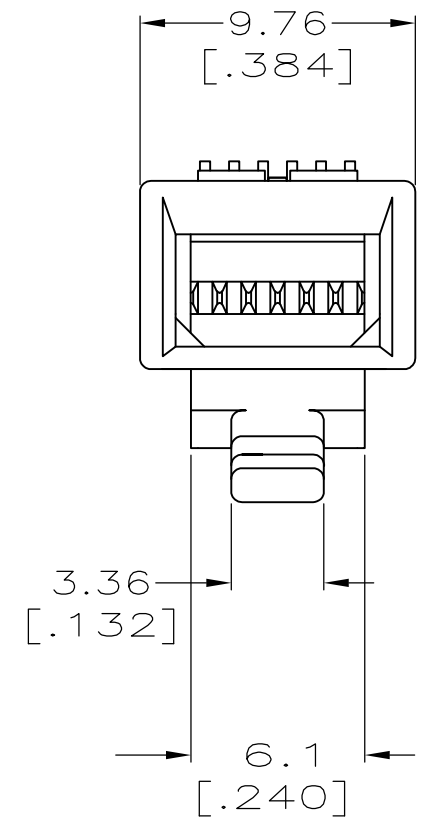
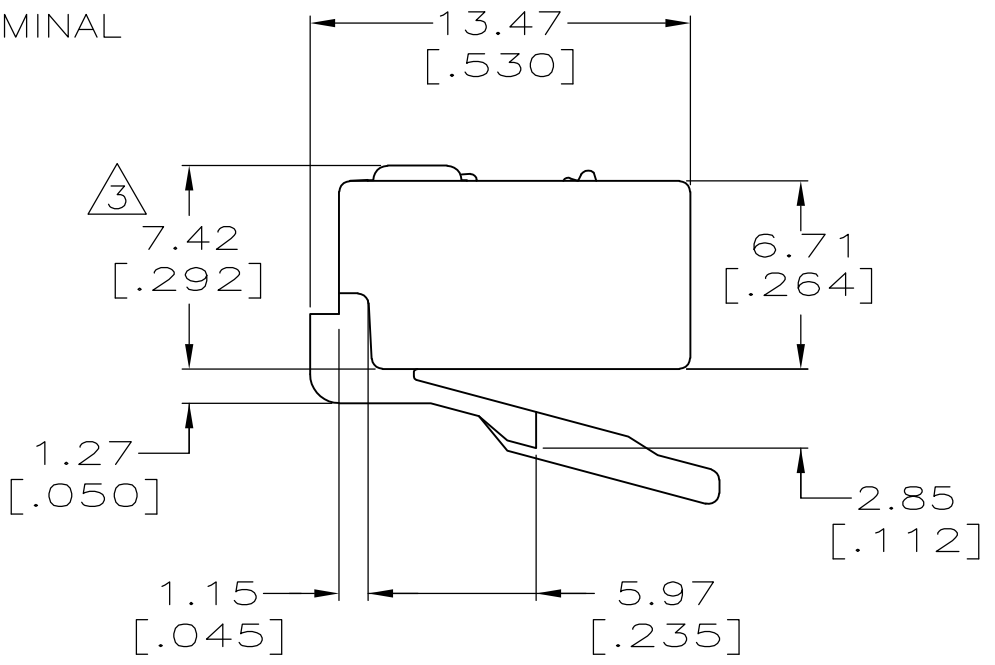
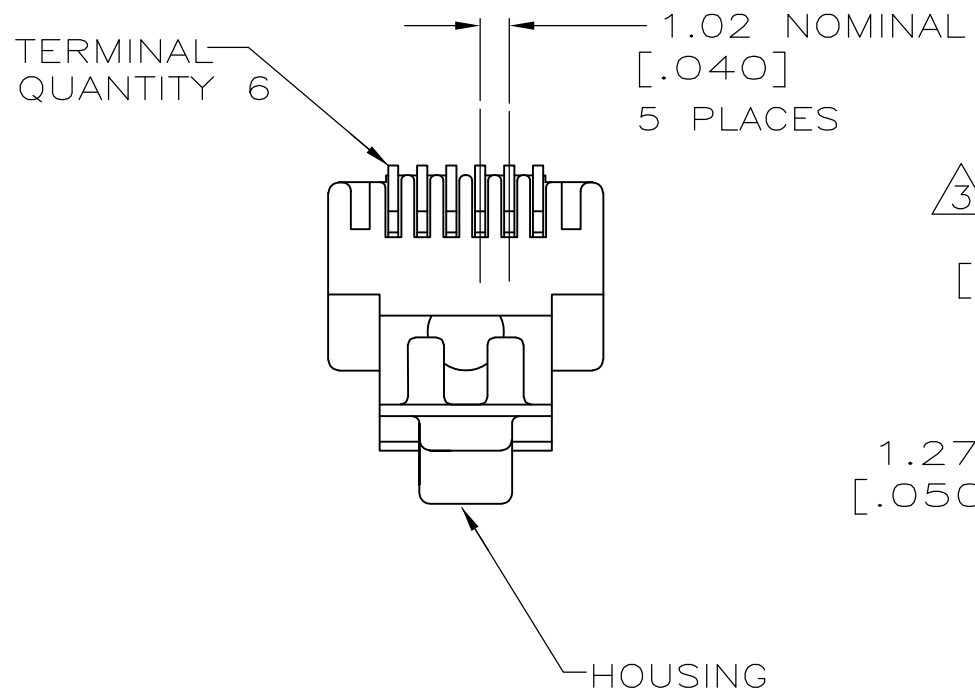
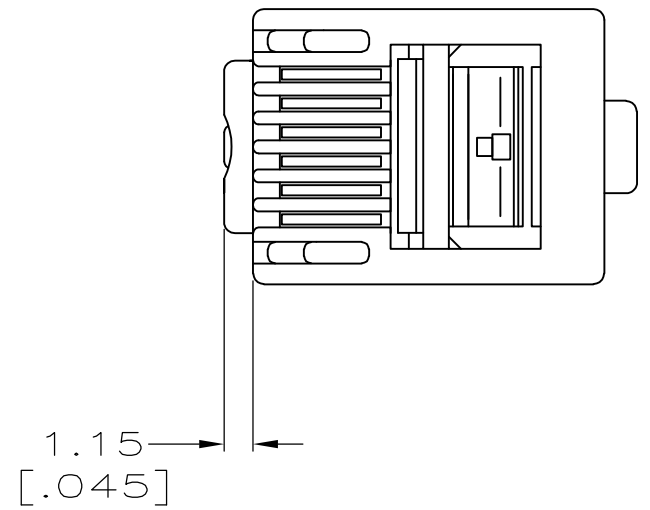


| LOC | DIST | REVISIONS | | | | | |
|-----|------|-----------|-----|-----------------------|-----------|-----|------|
| HM | 00 | P | LTR | DESCRIPTION | DATE | OWN | APVD |
| | | R | | REV PER ECO-15-007385 | 20MAY2015 | GG | LS |



- 1 MATERIAL: HOUSING- POLYCARBONATE, CLEAR
 TERMINAL- .36 [.014] THICK PHOSPHOR BRONZE PLATED WITH .178μm [.000007] THICK GOLD IN LOCALIZED PLATE AREA OVER .762μm [.000030] THICK PALLADIUM NICKEL IN LOCALIZED PLATE AREA OVER 2.54μm [.000100] THICK NICKEL ON ENTIRE CONTACT.
- 2. PLUG WILL ACCEPT 0.89[.035] DIAMETER STRANDED, 26 OR 28 AWG, OR TINSEL 28 AWG WIRE WITH A 4.58[.180] DIAMETER MAXIMUM JACKET.
- 3 TERMINATED DIMENSION 6.15[.242] MAXIMUM.
- 5 DIMENSIONS ARE MAXIMUM UNLESS OTHERWISE SPECIFIED.
- 6 10,000 ASSEMBLIES PER PACKAGE.
- 7 1000 ASSEMBLIES PER PACKAGE.
- 8 100 ASSEMBLIES PER PACKAGE.

SUPERSEDED BY: 5-554710-2
OBSOLETE

| | | |
|---|----------------|-------------|
| 8 | LOOSE PIECE | 5-554710-3 |
| 7 | | 5-554710-2 |
| 6 | | 5-554710-1 |
| | REELED | 554710-1 |
| | PACKAGED | DESCRIPTION |
| | | PART NO. |

| | | | | | |
|---|-----|---------------|--|------------|---------------------|
| THIS DRAWING IS A CONTROLLED DOCUMENT. | | DWN | L. HALL | 11DEC2007 | TE Connectivity |
| DIMENSIONS: mm[INCHES] | | CHK | B. MCNEILL | 11DEC2007 | |
| TOLERANCES UNLESS OTHERWISE SPECIFIED: | | APVD | B. MCNEILL | 11DEC2007 | |
| 0 PLC ± - 1 PLC ± - 2 PLC ± - 3 PLC ± - 4 PLC ± - ANGLES ± - FINISH ± - | | NAME | PRODUCT SPEC 108-1163 APPLICATION SPEC 114-6016 | | |
| MATERIAL | - 1 | WEIGHT | - | SIZE | A2 |
| CUSTOMER DRAWING | | CAGE CODE | 00779 | DRAWING NO | 554710 |
| | | RESTRICTED TO | - | SCALE | 4:1 |
| | | SHEET | 1 of 1 | REV | R |

X-ON Electronics

Largest Supplier of Electrical and Electronic Components

Click to view similar products for [TE Connectivity](#) manufacturer:

Other Similar products are found below :

[D38999/24FJ4AN](#) [570416-000](#) [CLTEQ-M81CE-SSRELAY-4-20V](#) [4-1195131-0](#) [650069-000](#) [SMD100-2](#) [358838-000](#) [CB-1022B-78](#)
[RM707012](#) [RP410012](#) [MMS42](#) [1-640426-8](#) [2EDL4CM](#) [DTS20W19-11PD-3028-LC](#) [RM202615](#) [NC6-P104-06](#) [MSPS103B](#) [DTS26F21-41HE-LC](#) [DTS26F21-41AE](#) [DTS26F21-41PE-LC](#) [DTS26F21-11SE-3028-LC](#) [30DCB6](#) [1932144-1](#) [293545-4](#) [LVR125S](#) [MS27466T25F4PB](#)
[CKB-38-78010](#) [TR04AI-TINELLOCKRING](#) [1206SFF150F/63-2](#) [D38999/20JB35HA](#) [TE1500A2R2J](#) [D38999/20WC8BB](#) [DTS24F19-11SC-3028-LC](#) [D38999/24WG11HA](#) [D38999/24WG11HN](#) [MS27467T21F11H](#) [DJT16E21-11HA](#) [MS27467T21F35J](#) [MS27467T21F11J](#)
[MS27467T21F16H-LC](#) [MS27467T21F35H](#) [MS27467T21F41H-LC](#) [1206SFH150F/24-2](#) [RP330024](#) [DJT16E21-11PA-LC](#) [DJT16E21-11HA-LC](#) [DJT16E21-11AA](#) [MS27467T21B11JA](#) [DJT16E21-11JA](#) [MS27467T21B11JA-LC](#)