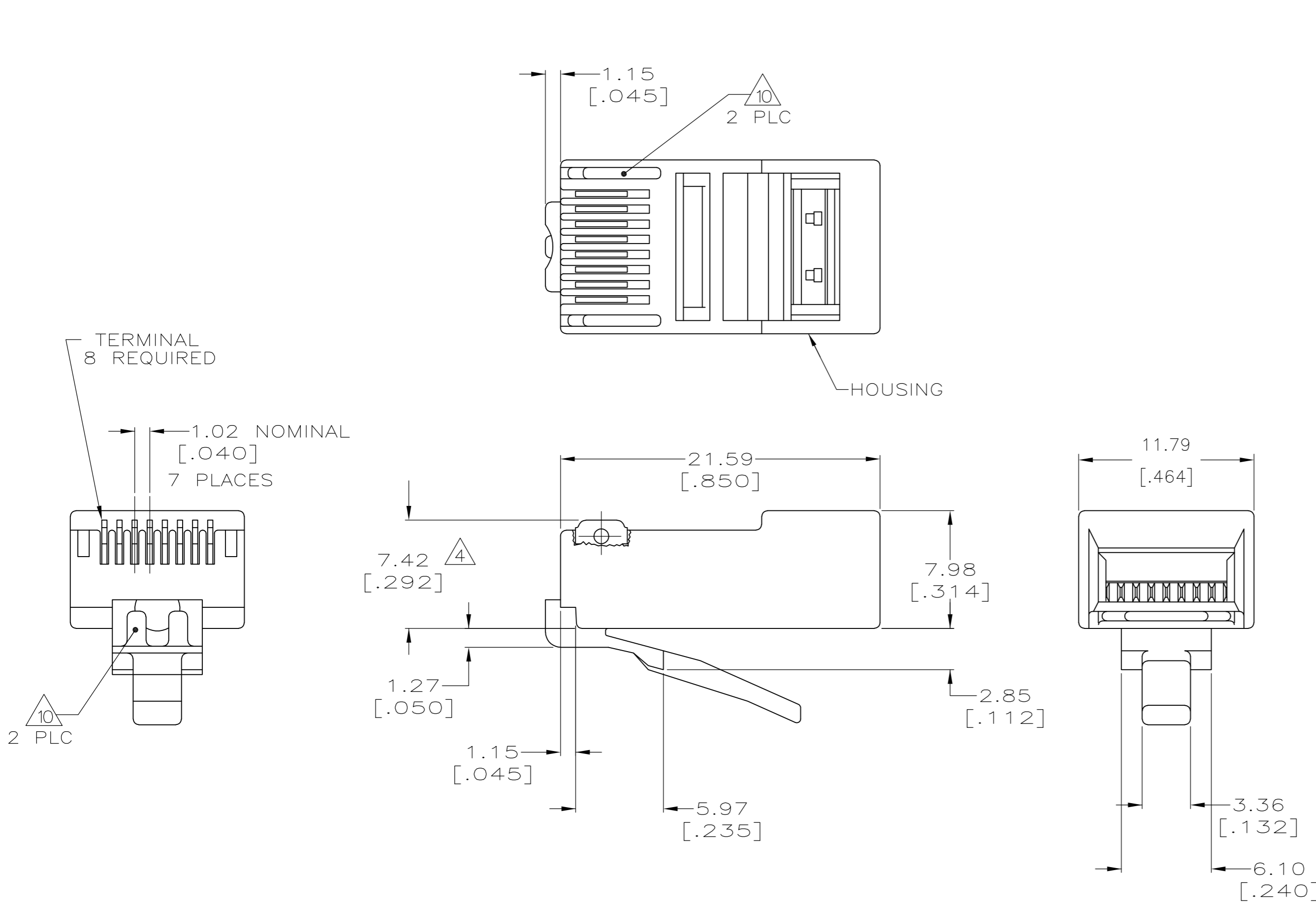


THIS DRAWING IS UNPUBLISHED. RELEASED FOR PUBLICATION
 © COPYRIGHT - By - ALL RIGHTS RESERVED.

LOC	DIST	REVISIONS			
P	LTR	DESCRIPTION	DATE	DWN	APVD
HM	00	U	REVISED PER ECO-15-007385	20MAY2015	GG LS

- 1 DIMENSIONS ARE MAXIMUM UNLESS OTHERWISE SPECIFIED.
- 2 MATERIAL: HOUSING- POLYCARBONATE, BLUE
 TERMINAL- .36 [.014] THICK PHOSPHOR BRONZE PLATED WITH .178µm [.000007] THICK GOLD IN LOCALIZED PLATE AREA OVER .762µm [.000030] THICK PALLADIUM NICKEL IN LOCALIZED PLATE AREA OVER 2.54µm [.000100] THICK NICKEL ON ENTIRE CONTACT.
 SHIELD- COPPER ALLOY WITH 1.27µm [.000050] MINIMUM SEMI-BRIGHT (SATIN) NICKEL.
- 3. PLUG WILL ACCEPT 24 OR 26 AWG SOLID WIRE HAVING A MAXIMUM INSULATION DIAMETER OF 0.89-0.99[.035-.039] AND A MAXIMUM OVAL CABLE JACKET OF 2.54 X 8.89[.100 X .350].
- 4 TERMINATED DIMENSION 6.15[.242] MAXIMUM.
- 6 10,000 ASSEMBLIES PER PACKAGE.
- 7 500 ASSEMBLIES PER PACKAGE.
- 8 100 ASSEMBLIES PER PACKAGE.
- 10 REELED PRODUCT ON STRIP DOES NOT HAVE VOID CORING ILLUSTRATED ON THIS DRAWING.
- 11 100 ASSEMBLIES PER CARTON.



SUPERSEDED BY: 5-554720-2

OBSOLETE

8	5-554720-3
7	5-554720-2
6	5-554720-1
11	3-554720-3
10	554720-1
REELED	PART NO.
PACKAGED	

THIS DRAWING IS A CONTROLLED DOCUMENT.		DWN	03NOV2005	TE Connectivity	
DIMENSIONS: mm [INCHES]		L. HALL		NAME	
TOLERANCES UNLESS OTHERWISE SPECIFIED:		CHK	03NOV2005	MODULAR PLUG ASSEMBLY, 8 POSITION, SOLID WIRE	
0 PLC ± -	1	C. CASH		SIZE	CAGE CODE
1 PLC ± -	2	APVD	03NOV2005	A2	00779
2 PLC ± -	3	C. CASH		DRAWING NO	DRAWING NO
3 PLC ± -	4	PRODUCT SPEC		114-6016	554720
4 PLC ± -	ANGLES ± -	APPLICATION SPEC		WEIGHT	
FINISH ± -					
MATERIAL -	FINISH -	CUSTOMER DRAWING		SCALE	4:1
				SHEET	1 of 1
				REV	U

X-ON Electronics

Largest Supplier of Electrical and Electronic Components

Click to view similar products for [Modular Connectors / Ethernet Connectors](#) category:

Click to view products by [TE Connectivity](#) manufacturer:

Other Similar products are found below :

[RJE231881317T](#) [MP1010RX-1000](#) [MP44RX-1000](#) [GAX-3-66](#) [GAX-8-62](#) [93606-0253](#) [GD-A-44](#) [GDCX-PA-66-50](#) [GDCX-PN-64](#) [GDCX-PN-66](#) [GDCX-PN-66-50](#) [GDLX-A-66](#) [GDLX-A-88](#) [GDLX-N-66](#) [GDLX-S-66](#) [GDLX-S-88K](#) [GDTX-S-88-50](#) [GDX-PA-1010](#) [GLX-N-1010M-BLK](#) [GLX-S-88M-BLK](#) [GMX-N-1010](#) [GMX-S-1010](#) [GMX-S-66](#) [GMX-SMT2-N-1010](#) [GMX-SMT2-N-64-50](#) [GMX-SMT2-N-88](#) [GMX-SMT2-S6-88](#) [GMX-SMT4-N-88](#) [GPX-2-64](#) [GRT1-BT1-5](#) [GSGX-N-2-88](#) [GSX-NS2-88-3.05](#) [GSX-NS2-88-3.05-50](#) [GSX-NS-88-3.05-30](#) [GSX-NS-88-3.05-50](#) [GSX-NS-88-3.68](#) [1-1775629-2](#) [GWLX-S-88-GR](#) [GWLX-S9-88-YG](#) [1300500326](#) [1300500227](#) [1300530003](#) [1300570002](#) [1324640-4](#) [RJ11FTVC2G](#) [RJ11FTVC2N](#) [RJFTVX2SA1G](#) [132764-001](#) [1400000](#) [1413235](#)