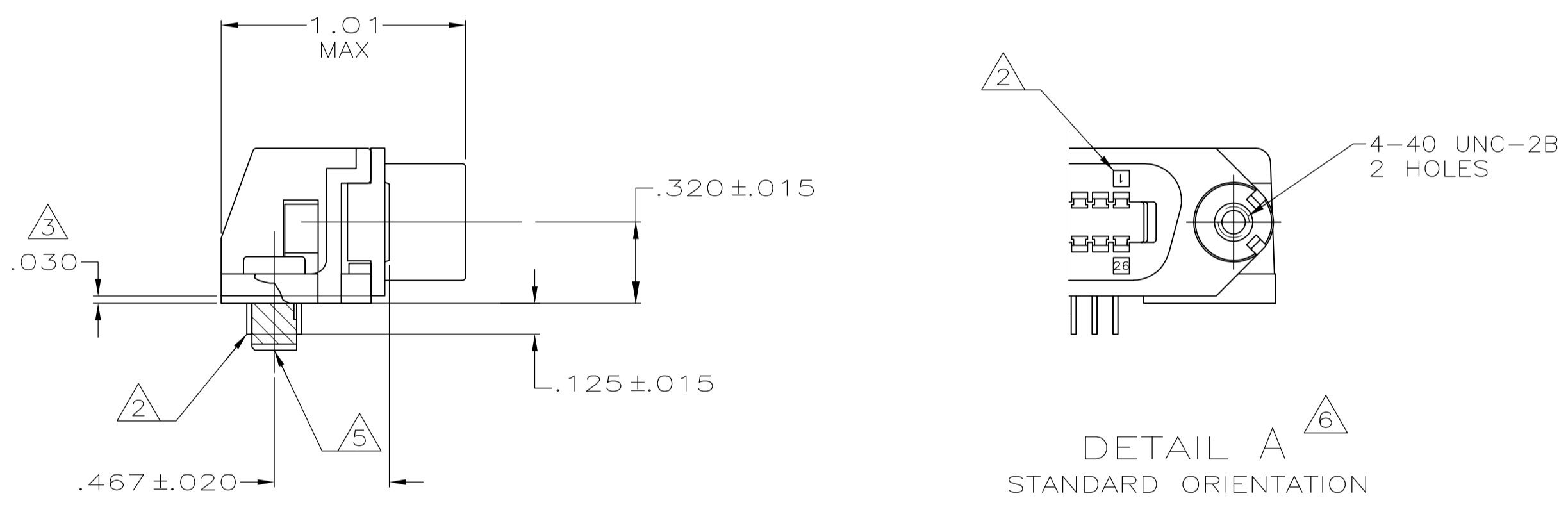
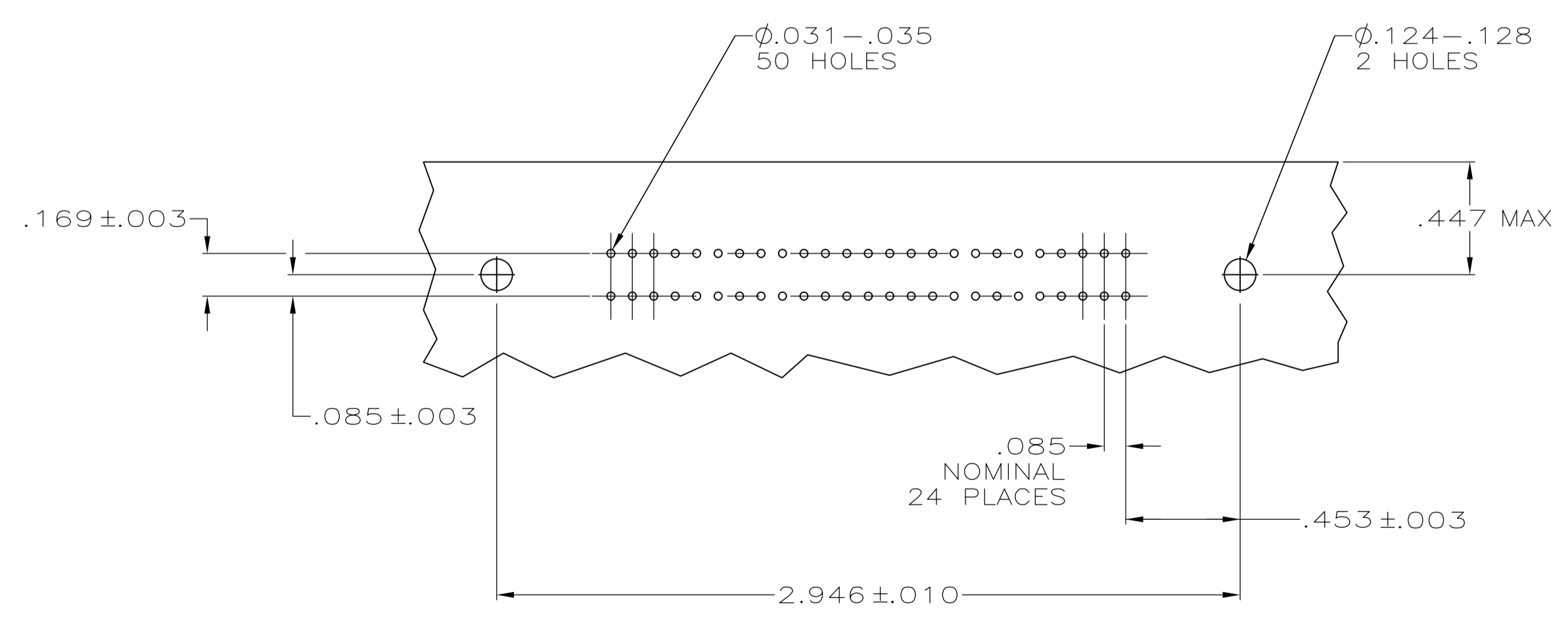


SUGGESTED PANEL CUTOUT (FOR REAR PANEL MOUNTING)

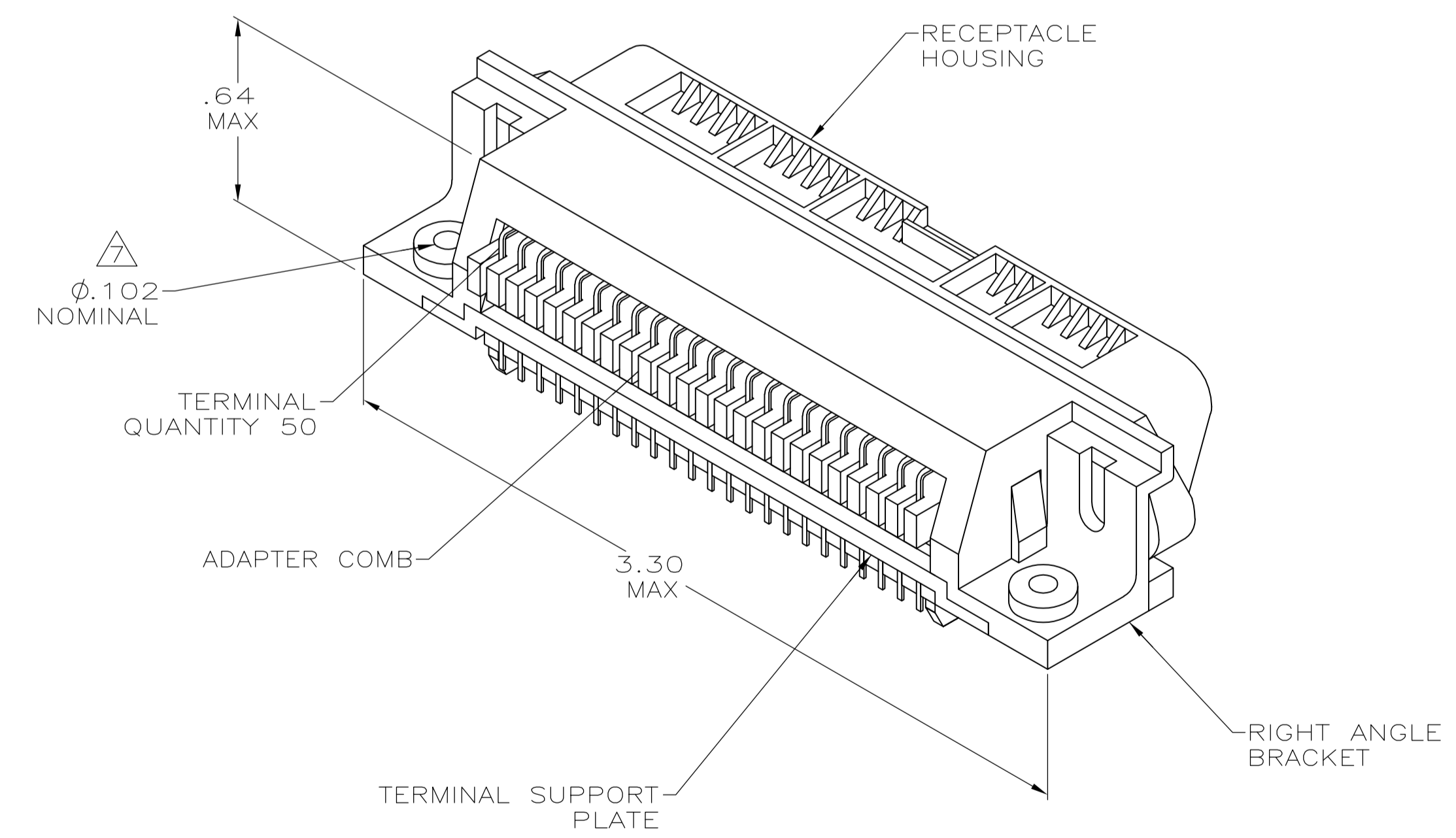


DETAIL A STANDARD ORIENTATION



SUGGESTED PRINTED CIRCUIT BOARD (MOUNTING DIMENSIONS)

- 1 MATERIAL: HOUSING, RIGHT ANGLE BRACKET, SUPPORT PLATE & ADAPTER COMB - THERMOPLASTIC BLACK, UL 94V-0 RATED. TERMINALS - HIGH STRENGTH COPPER ALLOY PLATED WITH EITHER .000030 MIN GOLD PLATE OR GOLD FLASH OVER PALLADIUM NICKEL PLATE, .000030 MIN TOTAL ON MATING SURFACE. .000120 MIN TIN PLATE ON TAILS. ALL OVER .000050 MIN NICKEL UNDERPLATE OVER ENTIRE TERMINAL.
- 2 TERMINAL 1 LOCATED IN THIS ROW FOR STANDARD ORIENTATION.
- 3 TERMINAL SUPPORT PLATE CLEARANCE FOR TERMINAL STRAIN RELIEF AND FLUX REMOVAL.
- 4 PANEL THICKNESS RANGE: .062.
- 5 ADAPTER COMB SHALL BE PARTIALLY RETRACTED ALLOWING TERMINALS TO EXTEND BEYOND COMB BEFORE INSERTING CONNECTOR INTO PRINTED CIRCUIT BOARD.
- 6 DETAIL "A" IS VIEWED FROM MATING SIDE OF RECEPTACLE ASSEMBLY.
- 7 FOR USE WITH A NO. 4, BT TYPE, SELF-TAPPING SCREW.



5554841-1
PART NUMBER

THIS DRAWING IS A CONTROLLED DOCUMENT.		DIN B MCMMASTER 23AUG05	Tyco Electronics Corporation Harrisburg, PA 17105-3608	
DIMENSIONS: INCHES		CHK W MILLHIMES 23AUG05	NAME RECEPTACLE ASSEMBLY, 50 POSITION, RIGHT ANGLE, PRINTED CIRCUIT BOARD, SELF TAPPING, CHAMP-LOK	
TOLERANCES UNLESS OTHERWISE SPECIFIED:		APVD W MILLHIMES 23AUG05	APPLICATION SPEC	
0 PLC ± -	1 PLC ± -	2 PLC ± -	3 PLC ± .005	4 PLC ± -
MATERIAL 1		FINISH 1		SIZE CAGE CODE DRAWING NO. A1 00779 C=5554841
CUSTOMER DRAWING		SCALE 2:1	SHEET 1 OF 1	REV B

X-ON Electronics

Largest Supplier of Electrical and Electronic Components

Click to view similar products for [I/O Connectors](#) category:

Click to view products by [TE Connectivity](#) manufacturer:

Other Similar products are found below :

[571763P](#) [58098-0628](#) [61-168618-12P](#) [D38999/20FJ29SB L/C](#) [72.250.1628.2](#) [72.250.2428.2](#) [74720-0505](#) [747680210](#) [76.350.0729.0](#) [76871-1403](#) [FCN-244F080-G/1](#) [FCN-260A9920](#) [FCN-268D024-G/2F#10X-R10](#) [MP-5T180MUNNA-005](#) [MP-5XRJ45UNNB-003](#) [PCS-E50FA](#) [PCS-XE26LKA](#) [PCS-XE26MA+](#) [PCS-XES68MS+](#) [G38A71314B](#) [91-569719-35R](#) [9776-18-6](#) [DX40-50P\(55\)](#) [1571250010](#) [157-22500-3](#) [MS3471L14-19P L/C](#) [171224-6031](#) [1888020-8](#) [91-569786-35H](#) [91-569786-35M](#) [91-644626-35P](#) [172501-4002](#) [172501-6002](#) [FCN-260C008-A/L0](#) [FCN-260C024-AL0](#) [FCN-261Z008](#) [FCN-268D008-G/1K](#) [2000314-1](#) [200331-1](#) [2007498-2](#) [PCR-E28LMDAG1+](#) [PCR-E36FC+](#) [PCS-E28FS+](#) [PCS-XE26SLFD+](#) [PCS-XE26SLFDT+](#) [G38A71214B](#) [HDRA-E68W1LFDTC-SL+](#) [HDR-E14MSG1+](#) [R88A-CNK81S](#) [CRT1-ATT02](#)