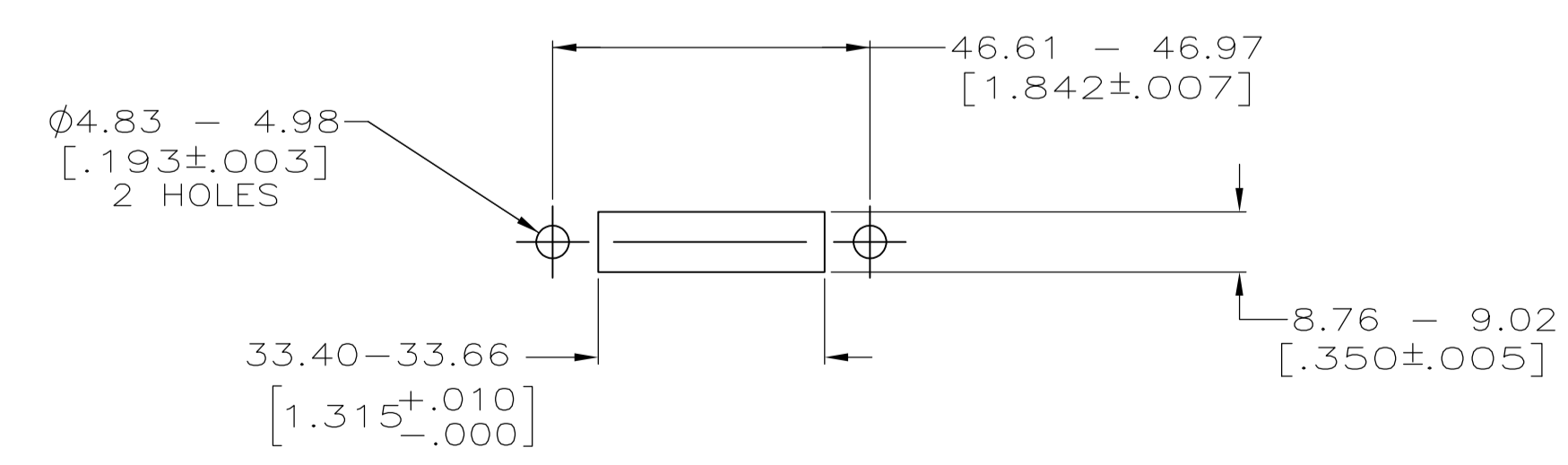
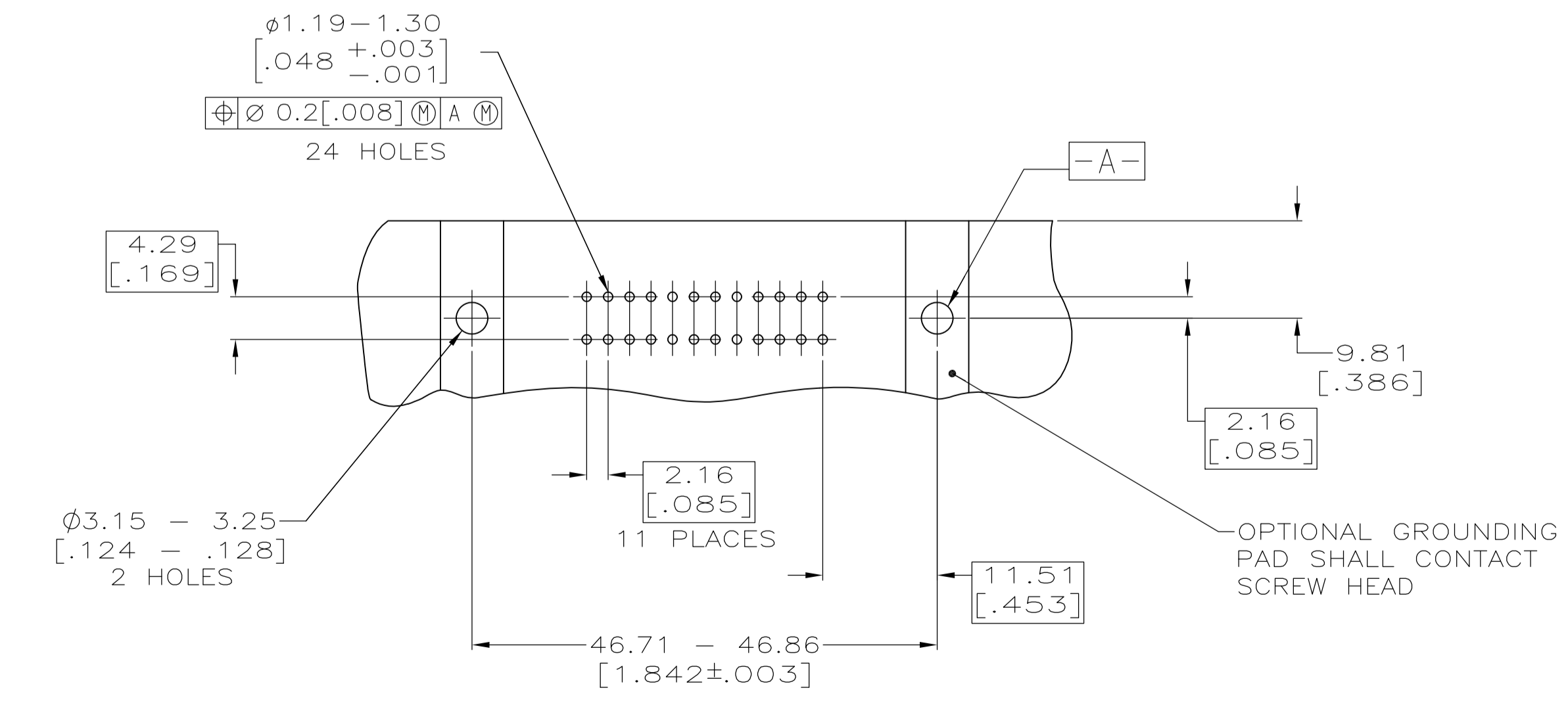
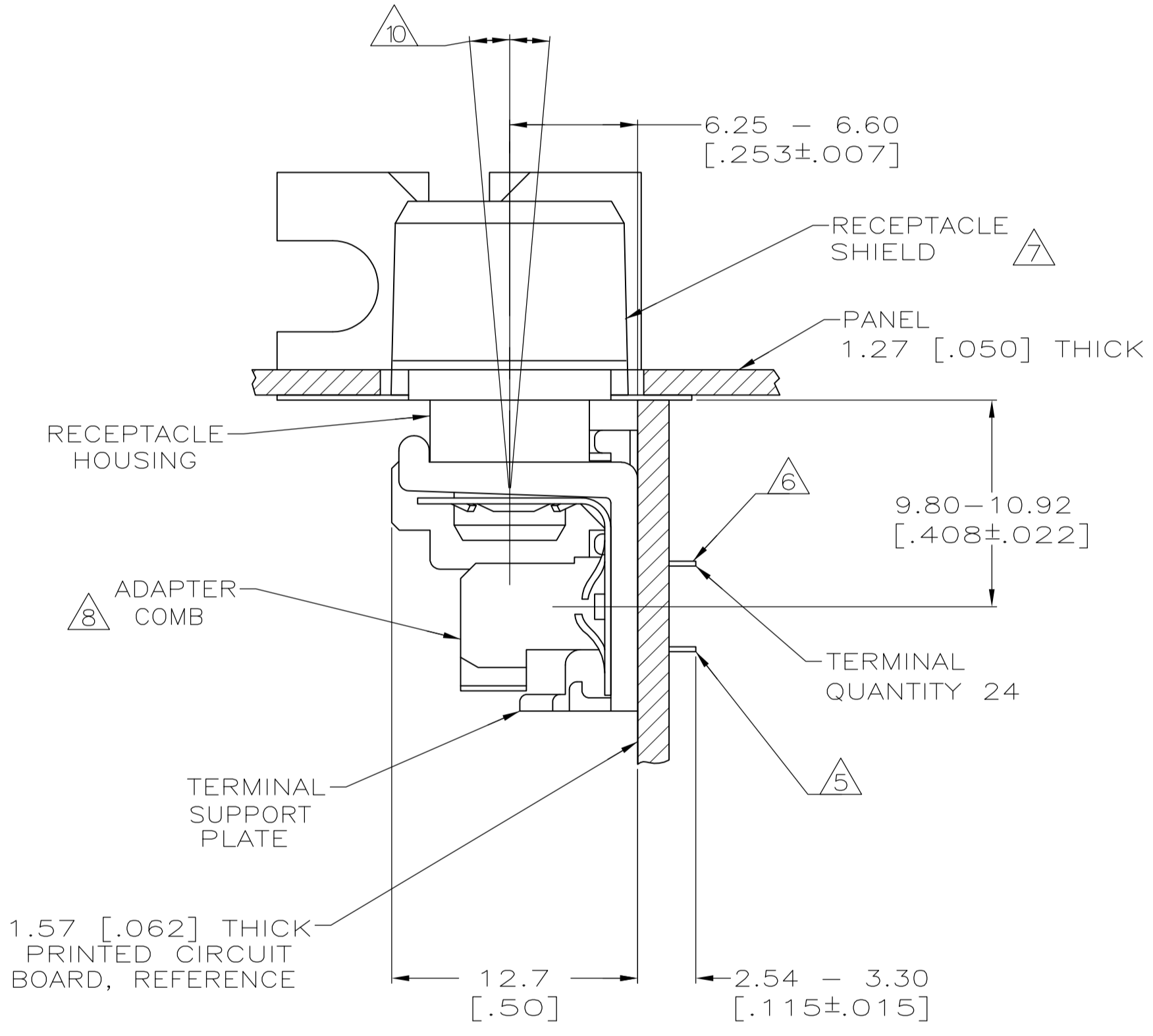
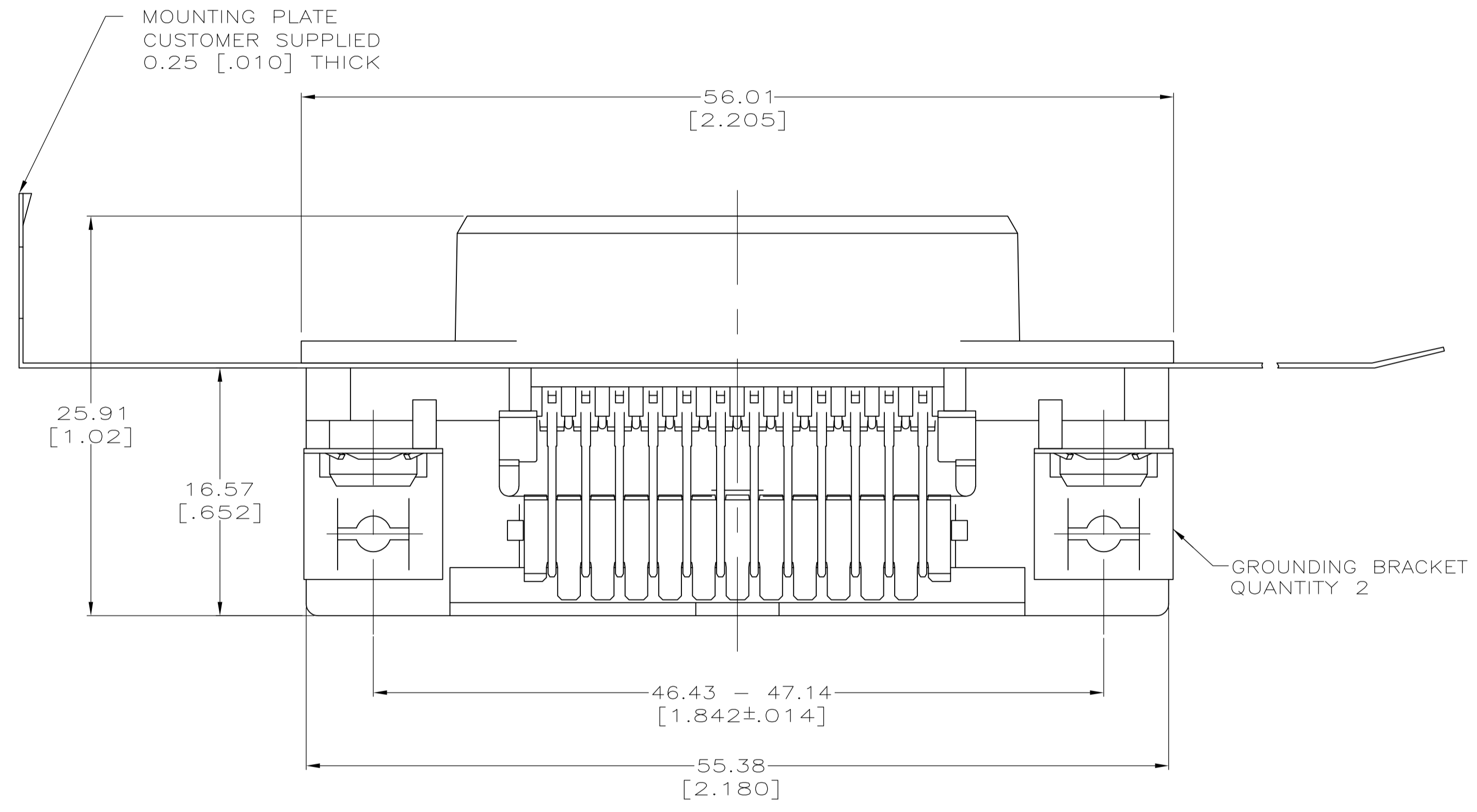
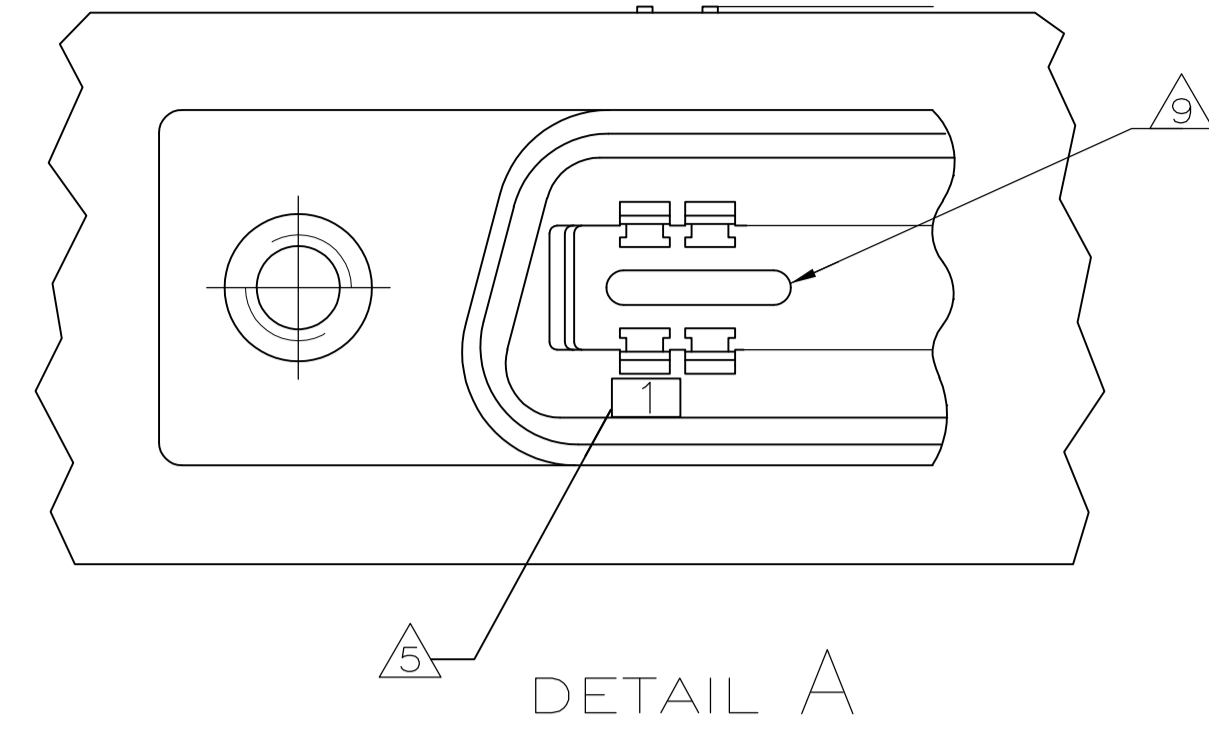
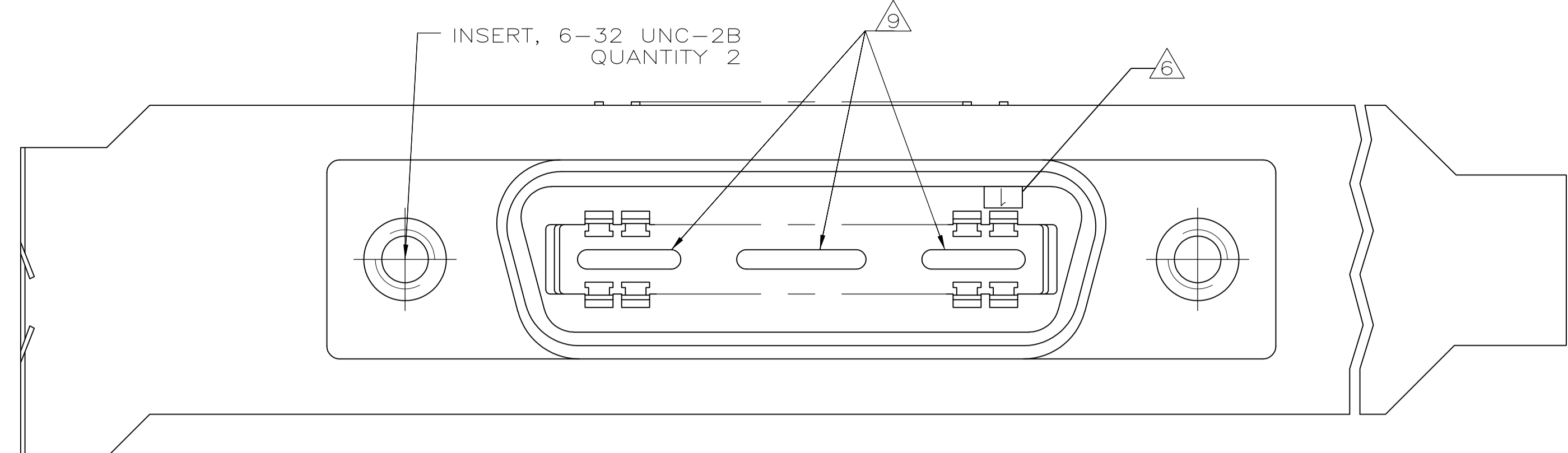


LOC		DIST		REVISIONS			
GP	00	F	LTR	DESCRIPTION	DATE	DM	APVD
B				REVISED PER ECO-08-007327	17APR08	BM	WM



SUGGESTED BRACKET MOUNTING CUTOUT DIMENSIONS SCALE 1:1

SUGGESTED PRINTED CIRCUIT BOARD MOUNTING DIMENSIONS SCALE 2:1

- 1 MATERIAL:
SUPPORT PLATE, HOUSING & ADAPTER COMB - POLYESTER, BLACK.
RECEPTACLE SHIELD - NICKEL OVER COPPER PLATED ZINC.
TERMINALS - HIGH STRENGTH COPPER ALLOY PLATED WITH EITHER 0.76µm [.000030] MIN GOLD PLATE OR GOLD FLASH OVER PALLADIUM NICKEL PLATE, 0.76µm [.000030] MIN TOTAL ON MATING SURFACE. 3.05µm [.000120] MIN TIN PLATE ON TAILS. ALL OVER 1.27µm [.000050] MIN NICKEL UNDERPLATE OVER ENTIRE TERMINAL.
GROUND BRACKET - ZINC PLATED CARBON STEEL.
- 2. THE CONTACT SURFACES OF THE TERMINALS ARE COATED WITH LUBRICANT.
- 3. CENTER-TO-CENTER SPACING OF TERMINALS IS 2.16 [.085] NOMINAL.
- 4. DIMENSIONS ARE MAXIMUM UNLESS OTHERWISE SPECIFIED.
- 5. TERMINAL 1 LOCATED IN THIS ROW FOR STANDARD ORIENTATION.
- 6. TERMINAL 1 LOCATED IN THIS ROW FOR REVERSE ORIENTATION.
- 7. SHIELD SHIPPED NOT ASSEMBLED.
- 8. ADAPTER COMB SHALL BE PARTIALLY RETRACTED BEFORE INSERTING CONNECTOR INTO PRINTED CIRCUIT BOARD.
- 9. THIS FEATURE IS A CORED AREA AND IS OPTIONAL ON PART.
- 10. CONNECTOR MATING FACE MAY VARY UP TO 5 DEGREES IN EITHER DIRECTION FROM NOMINAL.

SEE DETAIL "A"	STANDARD	5555139-2
AS SHOWN	REVERSE	5555139-1
DESCRIPTION	ORIENTATION	PART NUMBER

THIS DRAWING IS A CONTROLLED DOCUMENT.		DIN B MCMASTER 24AUG05	Tyco Electronics Corporation	
DIMENSIONS: mm [INCHES]		CIK W MILLHIMES 24AUG05	Harrisburg, Pa 17105-3608	
TOLERANCES UNLESS OTHERWISE SPECIFIED:		APVD W MILLHIMES 24AUG05	NAME	
0 PLC ± -	1 PLC ± -	RECEPTACLE ASSEMBLY, 24 POSITION, RIGHT ANGLE, SHIELDED, LOW PROFILE, WITH GROUNDING BRACKET, CHAMP		
2 PLC ± -	3 PLC ± -	APPLICATION SPEC		
4 PLC ± -	ANGLES ± -	SIZE	CAGE CODE	DRAWING NO
MATERIAL		WEIGHT	A1 00779	5555139
FINISH		CUSTOMER DRAWING		
SCALE 4:1		SHEET 1 of 1 REV B		

X-ON Electronics

Largest Supplier of Electrical and Electronic Components

Click to view similar products for [I/O Connectors](#) category:

Click to view products by [TE Connectivity](#) manufacturer:

Other Similar products are found below :

[571763P](#) [58098-0628](#) [72.250.1628.2](#) [72.250.2428.2](#) [74720-0505](#) [76.350.0729.0](#) [76871-1403](#) [FCN-244F080-G/1](#) [FCN-260A9920](#) [PCR-E36PM](#) [PCS-XE26MA+](#) [G38A71314B](#) [1571250010](#) [157-22500-3](#) [MS3471L14-19P L/C](#) [172501-4002](#) [172501-6002](#) [FCN-260C008-A/L0](#) [FCN-260C024-AL0](#) [FCN-261Z008](#) [2000314-1](#) [200331-1](#) [PCR-E36FC+](#) [PCS-E28FS+](#) [PCS-XE26SLFD+](#) [PCS-XE26SLFDT+](#) [G730VID08BDC24](#) [U90B2054081210](#) [38113800006](#) [DP3AR020WQ1R200](#) [Z4.102.0680.0](#) [500-1040](#) [500-1052](#) [500-1054](#) [ZP-4008-66L](#) [0709821002](#) [DX40-20P\(55\)](#) [5554841-1](#) [MS3474W18-8P-LC*](#) [U90B3054061110](#) [U65-E04-4020](#) [ZPF000000000097891](#) [747360449](#) [10099439-003C-TRLF](#) [10137239-0021LF](#) [E9320-001-01](#) [10137239-0011LF](#) [70289-001LF](#) [70.060.1028.0](#) [109029-ZZ](#)