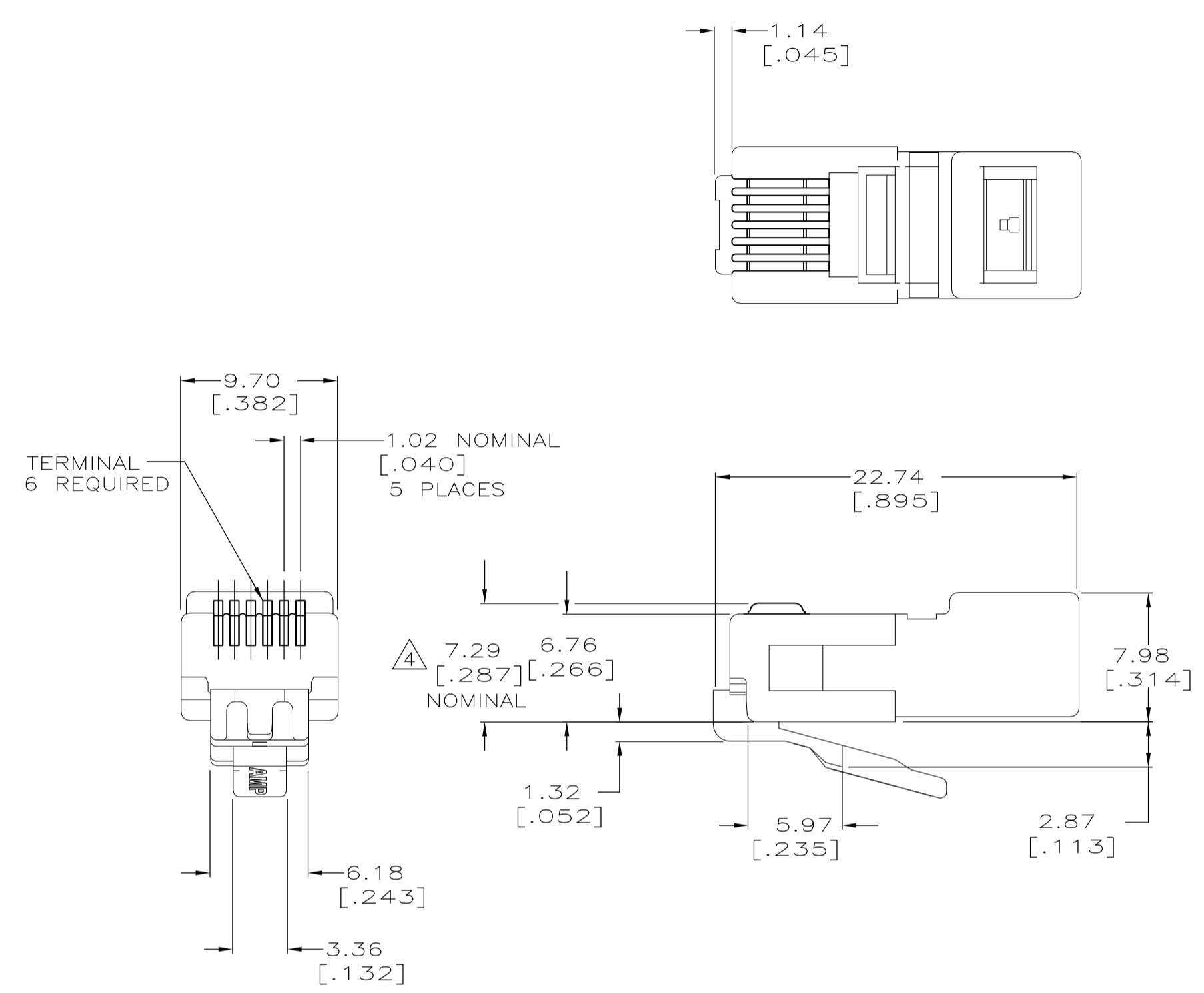


LOC	DIST	REVISIONS			
P	LTR	DESCRIPTION	DATE	DWN	APVD
HM	00	REV: ECO-14-004548	27MAR2014	GG	JG



1 MATERIAL: HOUSING—POLYCARBONATE, CLEAR
 TERMINAL — .36 [.014] THICK PHOSPHOR BRONZE PLATED
 WITH .178 μ m [.000007] THICK GOLD IN LOCALIZED
 PLATE AREA, OVER .762 μ m [.000030] THICK PALLADIUM
 NICKEL IN LOCALIZED PLATE AREA OVER
 2.54 μ m [.000100] THICK NICKEL ON ENTIRE CONTACT.

2. ALL DIMENSIONS SHOWN ARE MAXIMUM UNLESS
 OTHERWISE SPECIFIED.

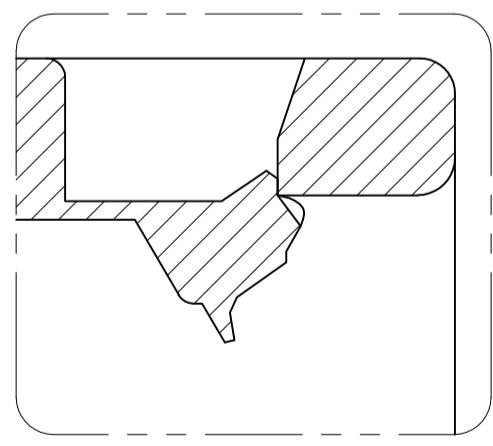
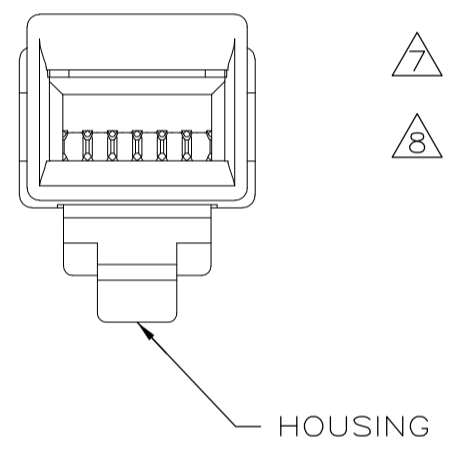
3. PLUG WILL ACCEPT 0.737 [.029] — 0.99 [.039] DIAMETER
 STRANDED WIRE, 26 OR 28 AWG WITH A 2.29 [.090] X
 6.60 [.260] JACKET.

4 TERMINATED DIMENSION 6.15 [.242]
 MAXIMUM.

5 LATCH SHALL BE IN POSITION SHOWN IN DETAIL A
 AFTER CRIMPING.

7 500 ASSEMBLIES PER PACKAGE.

8 100 ASSEMBLIES PER PACKAGE.



SCALE 10:1

8	5-555176-3
7	5-555176-2
PACKAGED	PART NO

THIS DRAWING IS A CONTROLLED DOCUMENT.		DWN L. HALL 12DEC2007	Tyco Electronics Corporation Harrisburg, PA 17105-3608	
DIMENSIONS: mm (INCHES)	TOLERANCES UNLESS OTHERWISE SPECIFIED:	CHK B. MCNEILL 13DEC2007	NAME	
	0 PLC ± -	APVD B. MCNEILL 13DEC2007	PRODUCT SPEC	
	1 PLC ± -		APPLICATION SPEC	
	2 PLC ± -		WEIGHT	
	3 PLC ± -		SIZE CAGE CODE DRAWING NO	
	4 PLC ± -		RESTRICTED TO	
	ANGLES ± -		A2 00779 555176	
MATERIAL	FINISH		SCALE 4:1 SHEET 1 OF 1 REV L	
			CUSTOMER DRAWING	

X-ON Electronics

Largest Supplier of Electrical and Electronic Components

Click to view similar products for [TE Connectivity](#) manufacturer:

Other Similar products are found below :

[D38999/24FJ4AN](#) [570416-000](#) [CLTEQ-M81CE-SSRELAY-4-20V](#) [4-1195131-0](#) [650069-000](#) [SMD100-2](#) [358838-000](#) [CB-1022B-78](#)
[RM707012](#) [RP410012](#) [MMS42](#) [1-640426-8](#) [2EDL4CM](#) [DTS20W19-11PD-3028-LC](#) [RM202615](#) [NC6-P104-06](#) [MSPS103B](#) [DTS26F21-](#)
[41HE-LC](#) [DTS26F21-41AE](#) [DTS26F21-41PE-LC](#) [DTS26F21-11SE-3028-LC](#) [30DCB6](#) [1932144-1](#) [293545-4](#) [LVR125S](#) [MS27466T25F4PB](#)
[CKB-38-78010](#) [TR04AI-TINELLOCKRING](#) [1206SFF150F/63-2](#) [D38999/20JB35HA](#) [TE1500A2R2J](#) [D38999/20WC8BB](#) [DTS24F19-11SC-](#)
[3028-LC](#) [D38999/24WG11HA](#) [D38999/24WG11HN](#) [MS27467T21F11H](#) [DJT16E21-11HA](#) [MS27467T21F35J](#) [MS27467T21F11J](#)
[MS27467T21F16H-LC](#) [MS27467T21F35H](#) [MS27467T21F41H-LC](#) [1206SFH150F/24-2](#) [RP330024](#) [DJT16E21-11PA-LC](#) [DJT16E21-11HA-](#)
[LC](#) [DJT16E21-11AA](#) [MS27467T21B11JA](#) [DJT16E21-11JA](#) [MS27467T21B11JA-LC](#)