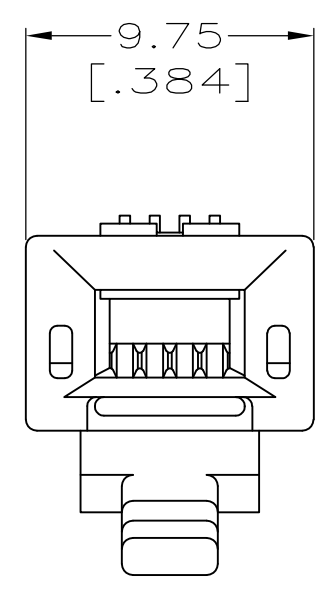
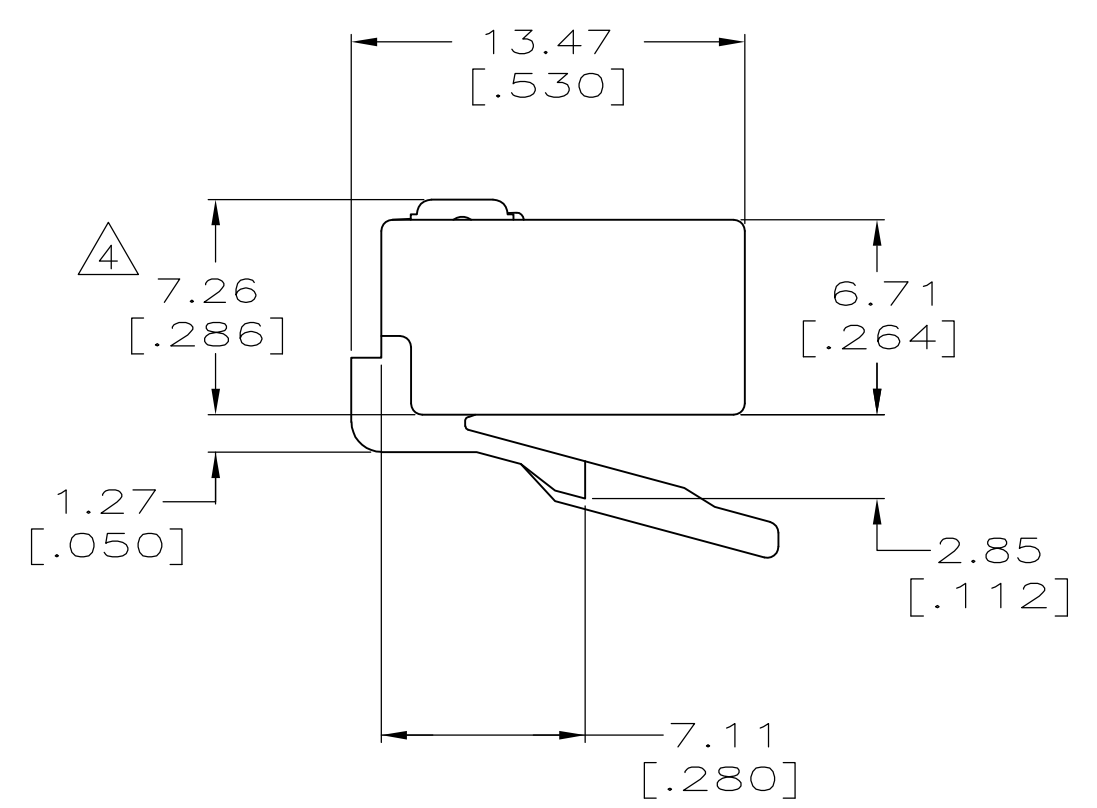
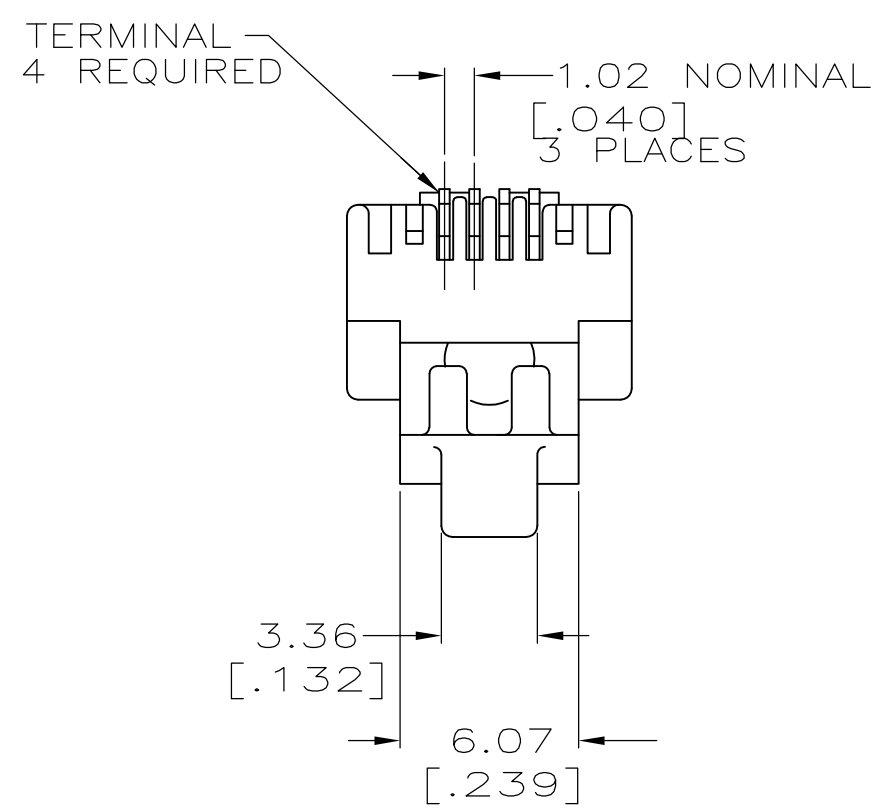
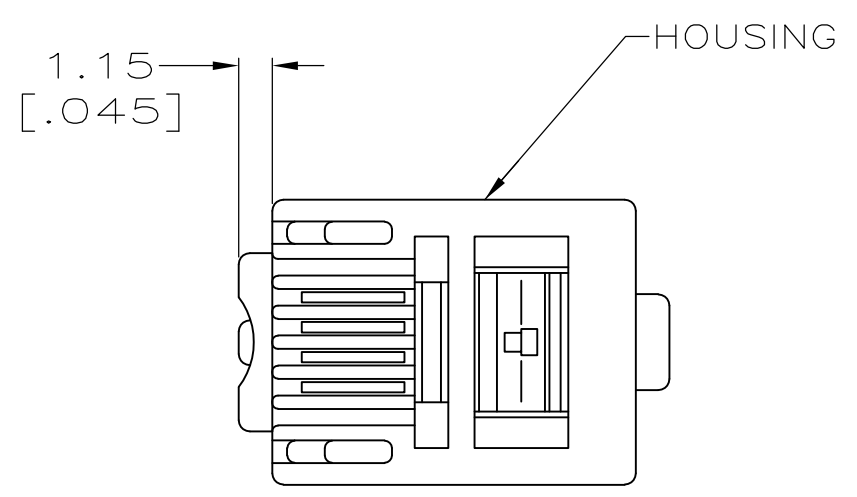


THIS DRAWING IS UNPUBLISHED. RELEASED FOR PUBLICATION  
 © COPYRIGHT BY TYCO ELECTRONICS CORPORATION. ALL RIGHTS RESERVED.

LOC	DIST	REVISIONS			
P	LTR	DESCRIPTION	DATE	DWN	APVD
J		REV ECO-14-011315	25JUL2014	GG	LS

- 1. ALL DIMENSIONS SHOWN ARE MAXIMUM UNLESS OTHERWISE SPECIFIED.
- 2. MATERIAL: HOUSING- POLYCARBONATE, CLEAR  
 TERMINAL- .36 [.014] THICK PHOSPHOR BRONZE PLATED WITH .178μm [.000007] THICK GOLD IN LOCALIZED PLATE AREA OVER .762μm [.000030] THICK PALLADIUM NICKEL IN LOCALIZED PLATE AREA OVER 2.54μm [.000100] THICK NICKEL ON ENTIRE CONTACT.
- 3. PLUG WILL ACCEPT 24 OR 26 AWG SOLID WIRE HAVING A MAXIMUM INSULATION DIAMETER OF 0.99 [.039] AND A MAXIMUM ROUND CABLE JACKET DIAMETER OF 2.54 [.100] OR OVAL CABLE JACKET OF 2.29 X 4.83 [.090 X .190] MAXIMUM.
- 4. TERMINATED DIMENSION: 6.15 [.242] MAXIMUM.
- 5. 1000 PIECES PER PACKAGE.
- 6. 100 PIECES PER PACKAGE.



6	LOOSE PIECE	5-556384-3
5		5-556384-2
PACKAGED	DESCRIPTION	PART NO.

THIS DRAWING IS A CONTROLLED DOCUMENT.		DWN L. HALL 21FEB2008	Tyco Electronics Corporation Harrisburg, PA 17105-3608	
DIMENSIONS: MM [INCHES]		CHK B. MCNEILL 21FEB2008	NAME	
TOLERANCES UNLESS OTHERWISE SPECIFIED:		APVD B. MCNEILL 21FEB2008	PRODUCT SPEC	
0 PLC ± -	1	108-1163	MODULAR PLUG ASSEMBLY, 4 POSITION, SOLID WIRE, 24 AND 26 AWG	
1 PLC ± -	2	APPLICATION SPEC	SIZE A2	CAGE CODE 00779
2 PLC ± -	3	114-6016	DRAWING NO C=556384	RESTRICTED TO
3 PLC ± -	4	FINISH	WEIGHT -	SCALE 4:1
4 PLC ± -	ANGLE ± -		CUSTOMER DRAWING	SHEET 1 of 1
FINISH				REV J

## X-ON Electronics

Largest Supplier of Electrical and Electronic Components

*Click to view similar products for [Modular Connectors / Ethernet Connectors](#) category:*

*Click to view products by [TE Connectivity](#) manufacturer:*

Other Similar products are found below :

[RJE231881317T](#) [MP1010RX-1000](#) [MP44RX-1000](#) [GAX-3-66](#) [GAX-8-62](#) [93606-0253](#) [GD-A-44](#) [GDCX-PA-66-50](#) [GDCX-PN-64](#) [GDCX-PN-66](#) [GDCX-PN-66-50](#) [GDLX-A-66](#) [GDLX-A-88](#) [GDLX-N-66](#) [GDLX-S-66](#) [GDLX-S-88K](#) [GDTX-S-88-50](#) [GDX-PA-1010](#) [GLX-N-1010M-BLK](#) [GLX-S-88M-BLK](#) [GMX-N-1010](#) [GMX-S-1010](#) [GMX-S-66](#) [GMX-SMT2-N-1010](#) [GMX-SMT2-N-64-50](#) [GMX-SMT2-N-88](#) [GMX-SMT2-S6-88](#) [GMX-SMT4-N-88](#) [GPX-2-64](#) [GRT1-BT1-5](#) [GSGX-N-2-88](#) [GSX-NS2-88-3.05](#) [GSX-NS2-88-3.05-50](#) [GSX-NS-88-3.05-30](#) [GSX-NS-88-3.05-50](#) [GSX-NS-88-3.68](#) [1-1775629-2](#) [GWLX-S-88-GR](#) [GWLX-S9-88-YG](#) [1300500326](#) [1300500227](#) [1300530003](#) [1300570002](#) [1324640-4](#) [RJ11FTVC2G](#) [RJ11FTVC2N](#) [RJFTVX2SA1G](#) [132764-001](#) [1400000](#) [1413235](#)