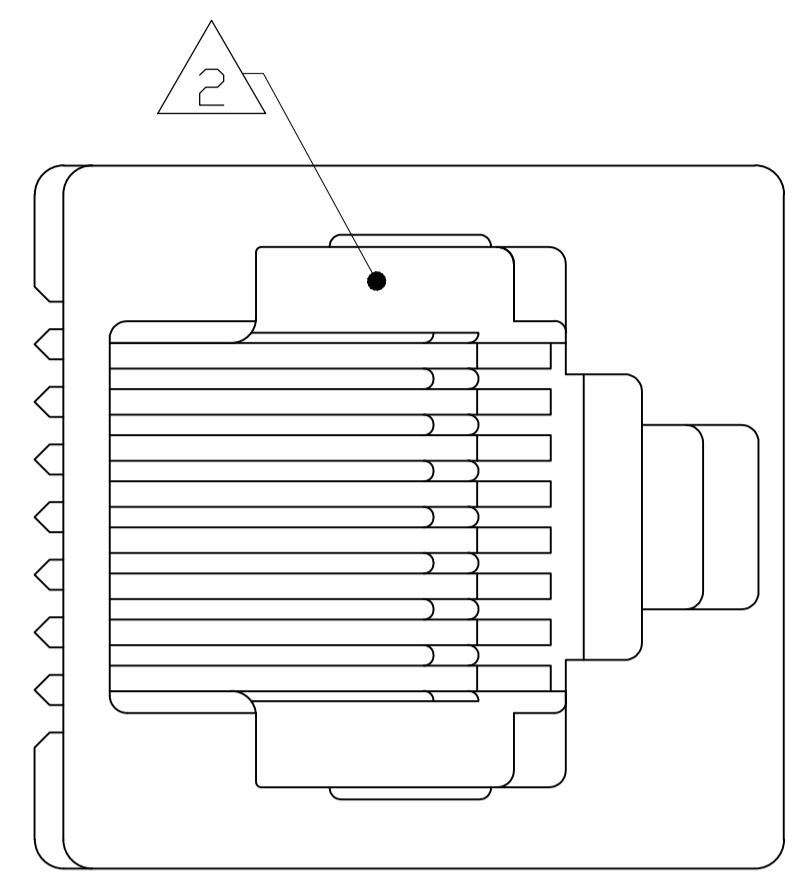
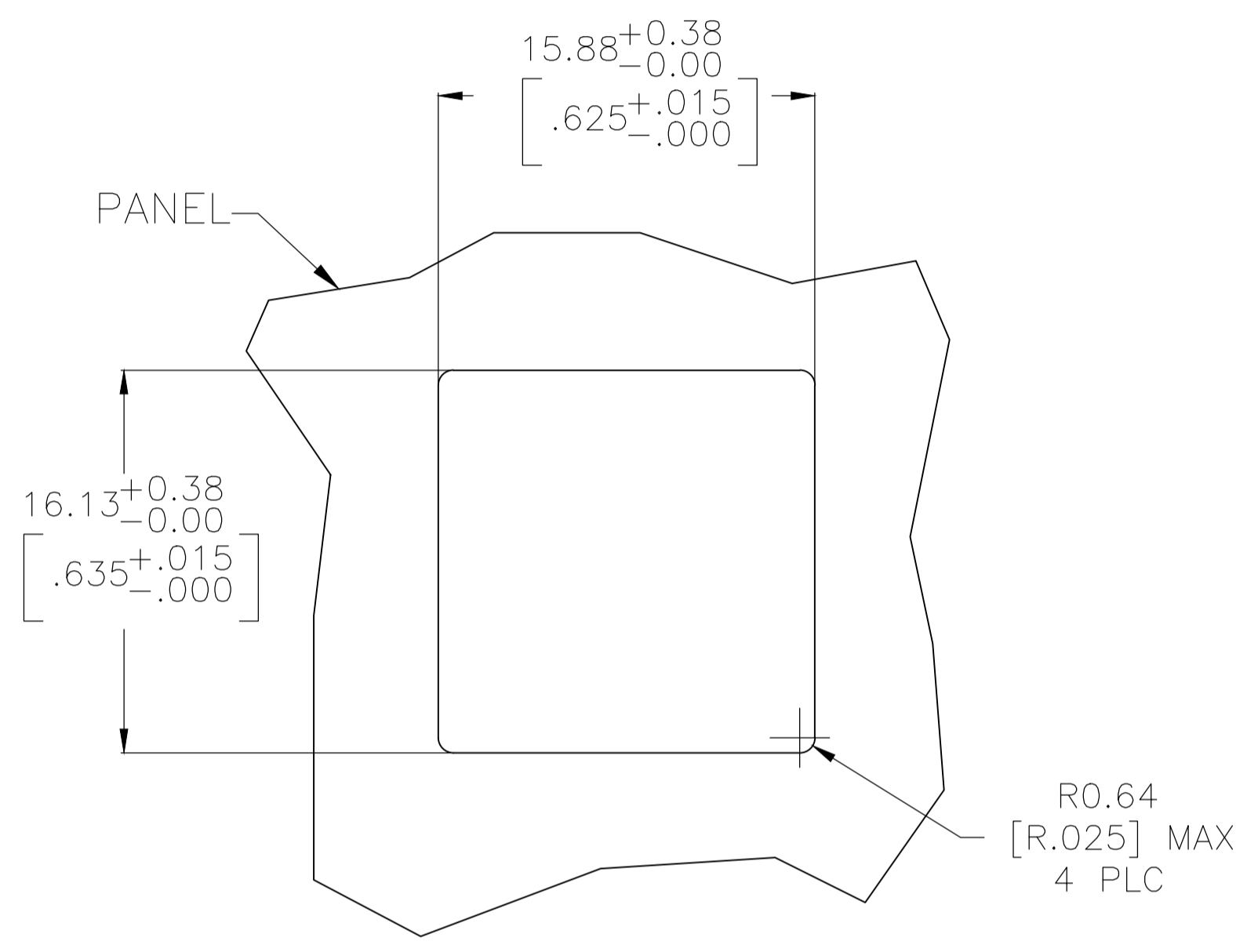
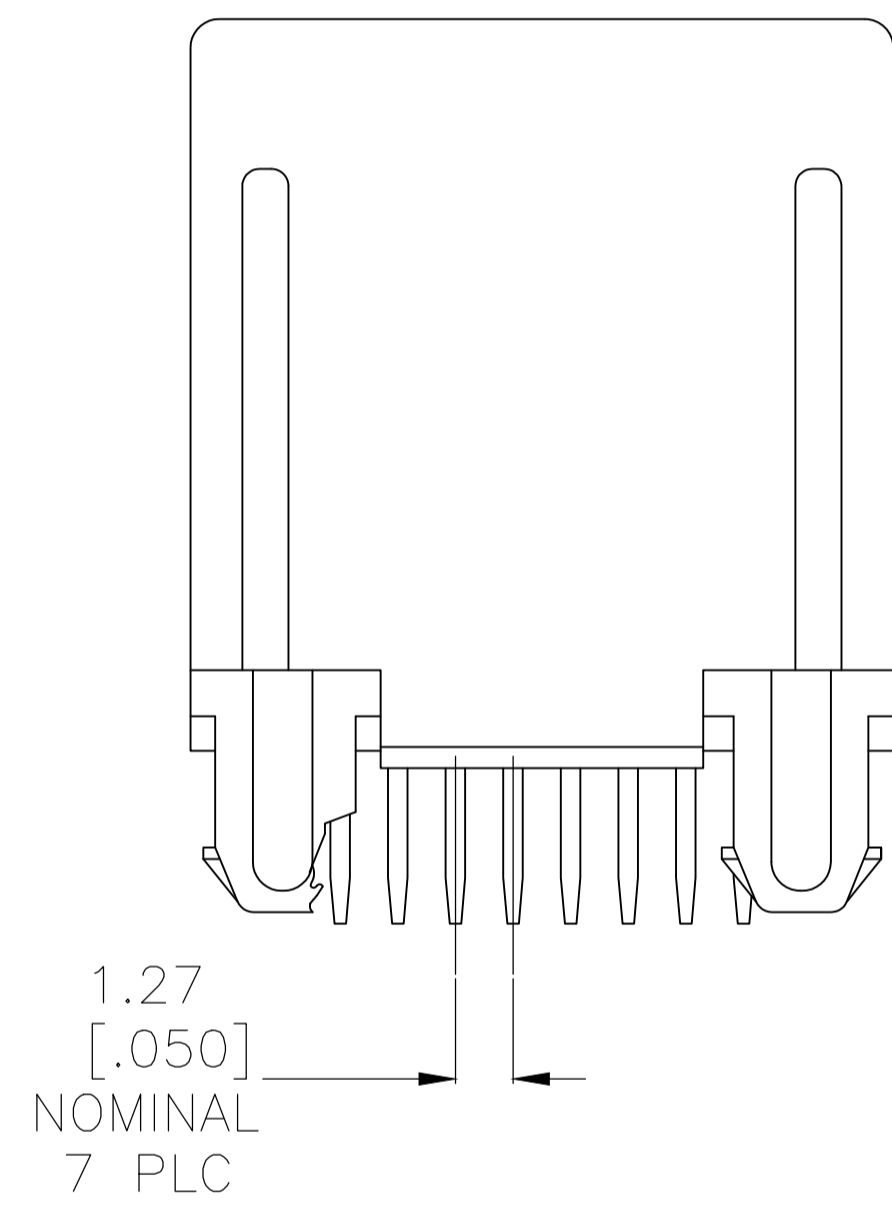
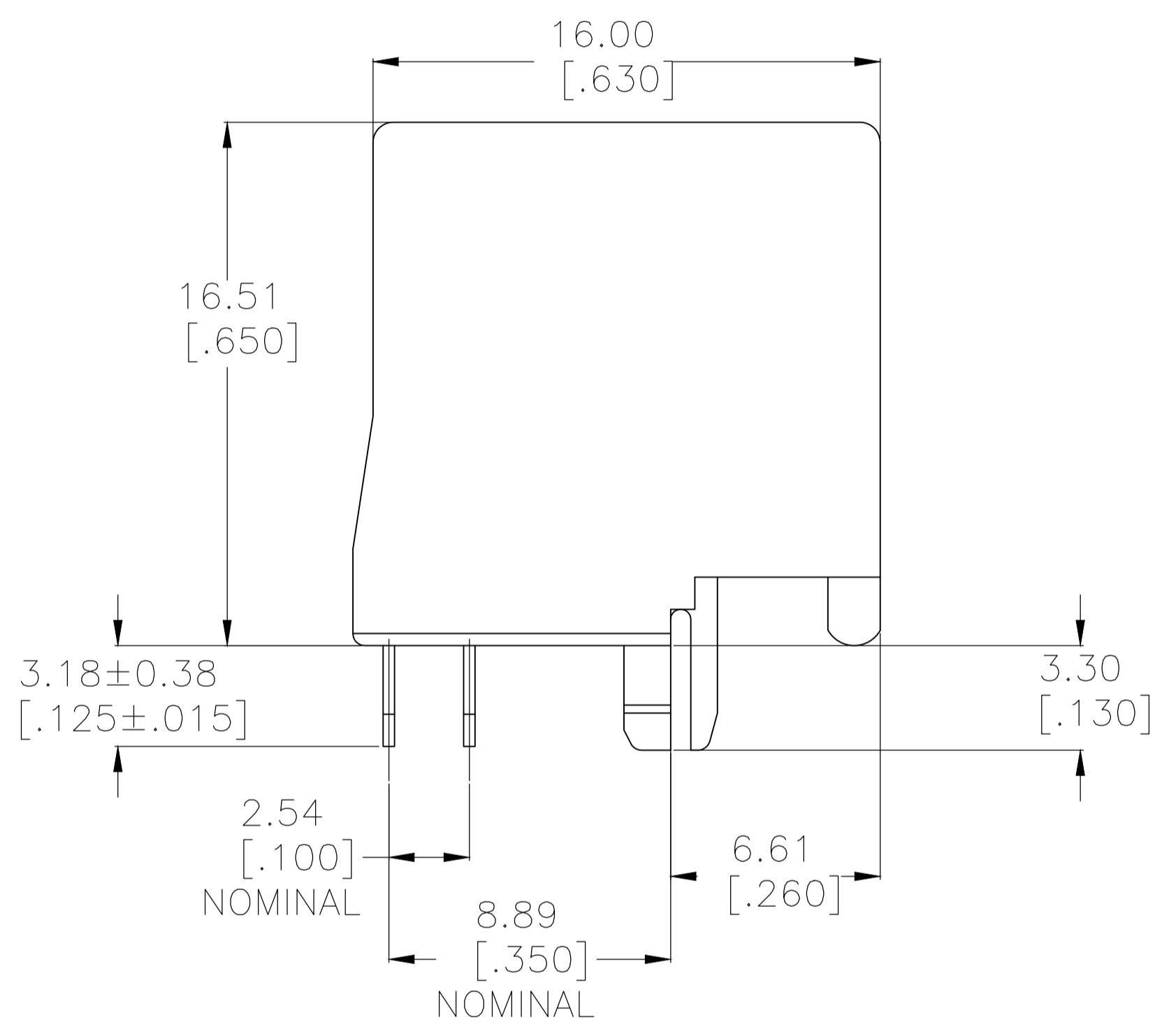


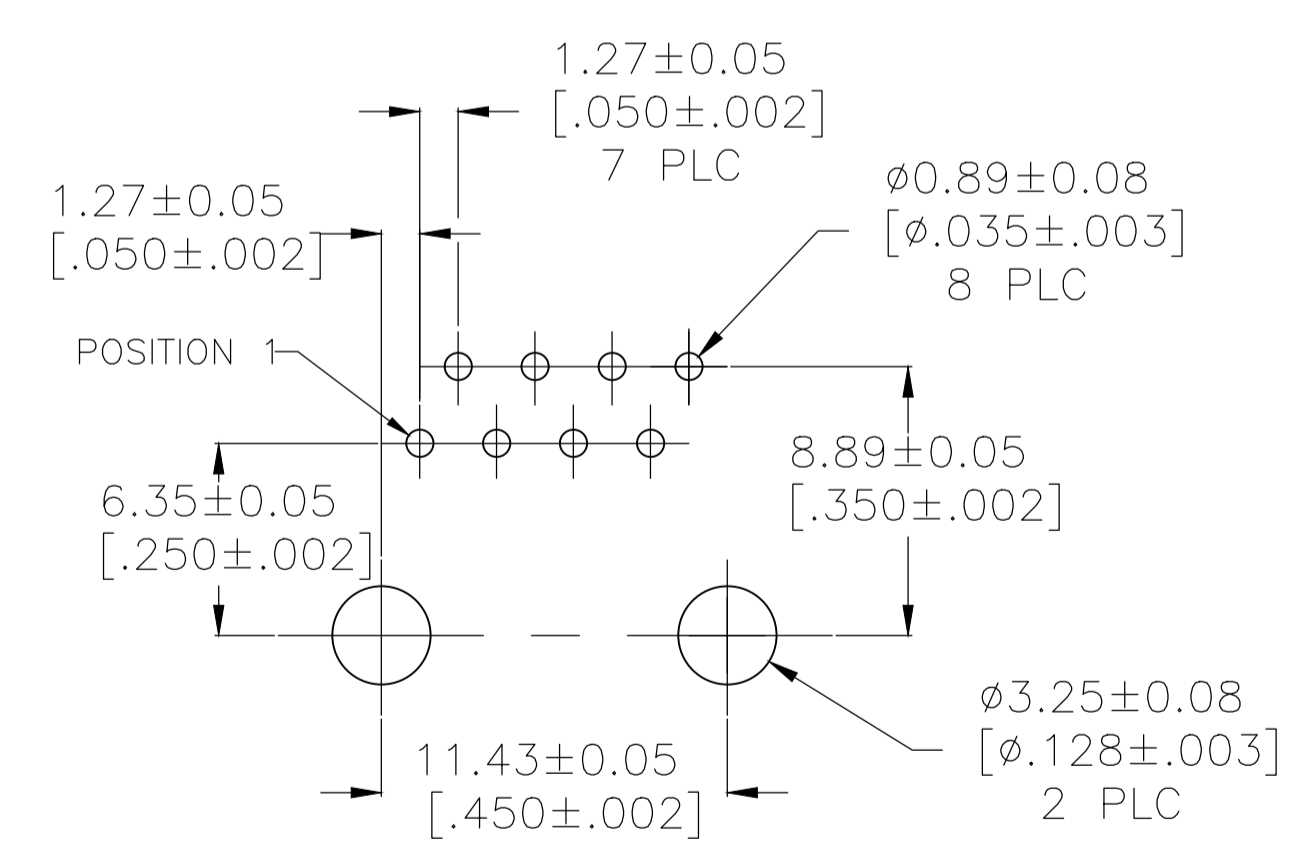
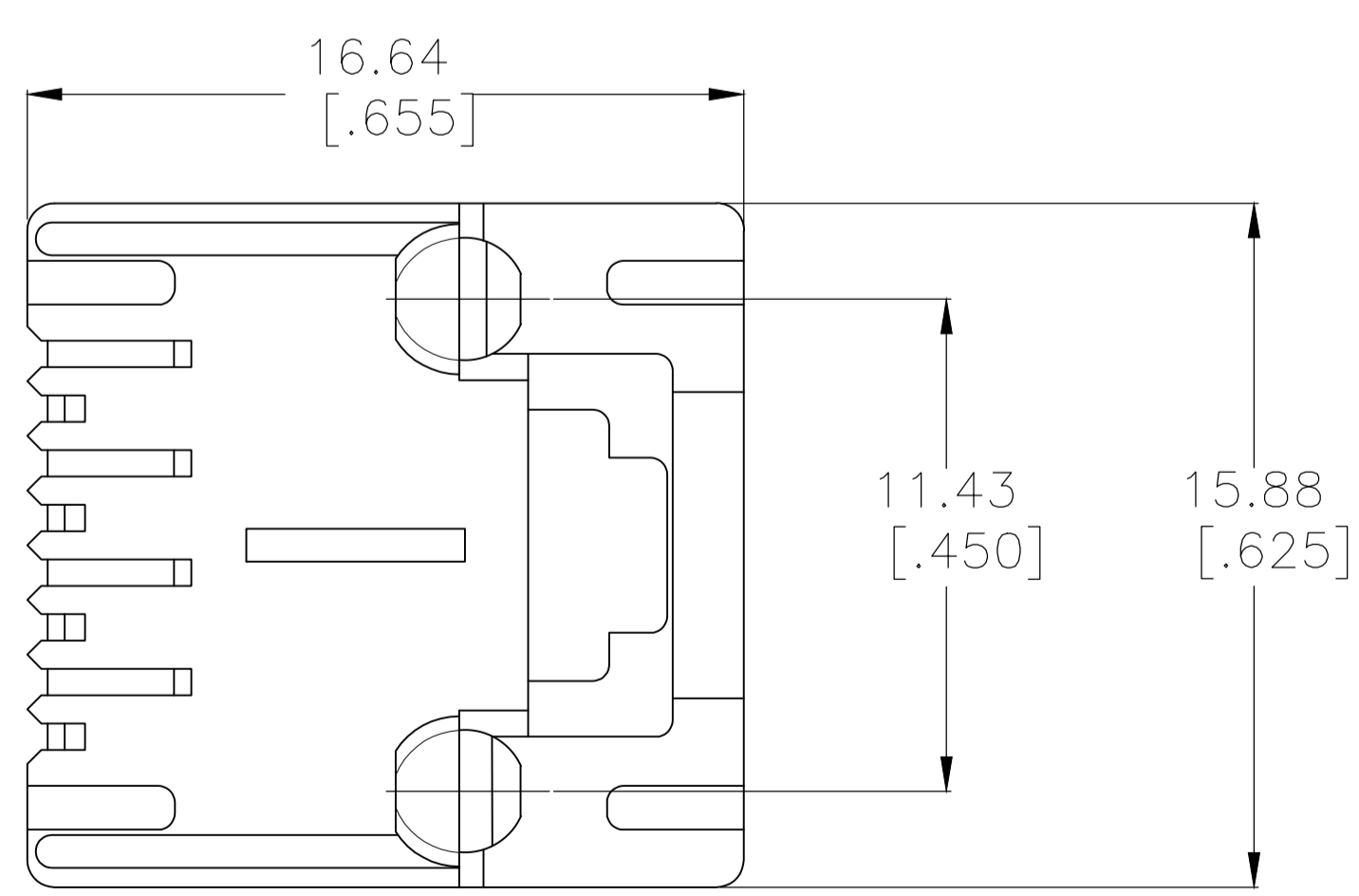
| REVISIONS |            |               |     |      |
|-----------|------------|---------------|-----|------|
| REV       | DATE       | BY            | CHK | APPV |
| D         | 26JULY2019 | ECO-19-011584 | RR  | SH   |



- MATERIAL: HOUSING- PBT POLYESTER, BLACK.  
TERMINAL- 0.36[.014] THICK PHOS BRONZE PLATED WITH 1.27μm[.000050] MINIMUM THICK HARD GOLD LOCALIZED GOLD PLATE AREA AND 3.81μm[.000150] MINIMUM THICK MATTE TIN IN SOLDER AREA OVER 1.27μm[.000050] MINIMUM THICK NICKEL UNDERPLATE.
- CAVITY CONFORMS TO FCC RULES AND REGULATIONS PART 68 AND REA BULLETIN 345-81, PE-76 SPECIFICATION FOR MODULAR TELEPHONE HARDWARE.
- ALL DIMENSIONS SHOWN ARE MAXIMUM UNLESS OTHERWISE SPECIFIED.
- BULK PACKAGED IN A TRAY.
- PACKAGED 30 PER TUBE.



RECOMMENDED PANEL CUTOUT  
SCALE 4:1



RECOMMENDED PRINTED CIRCUIT BOARD LAYOUT  
COMPONENT SIDE  
SCALE 4:1

|          |          |           |
|----------|----------|-----------|
| OBSOLETE | 5        | 5556416-2 |
|          | 4        | 5556416-1 |
|          | PACKAGED | PART NO   |

|  |  |                             |  |   |  |
|--|--|-----------------------------|--|---|--|
| THIS DRAWING IS A CONTROLLED DOCUMENT. |  | DIN B. LATTUCA 12SEPT05     |  | TE Connectivity   |  |
| DIMENSIONS: mm [INCHES]                |  | CHK J. WESTMAN 12SEPT05     |  |   |  |
| TOLERANCES UNLESS OTHERWISE SPECIFIED: |  | APVD S. FLICKINGER 12SEPT05 |  | NAME  |  |
| 0 PLC ± -                              |  | PRODUCT SPEC                |  | MODULAR JACK ASSEMBLY, TOP ENTRY, 8 POSITION, FLANGELESS, WITHOUT PANEL STOPS |  |
| 1 PLC ± -                              |  | APPLICATION SPEC            |  | 108-1163  |  |
| 2 PLC ± -                              |  | SIZE                        |  | 114-2048  |  |
| 3 PLC ± -                              |  | WEIGHT                      |  | 0.000000  |  |
| 4 PLC ± -                              |  | CUSTOMER DRAWING            |  | SCALE 6:1 SHEET 1 OF 1 REV D  |  |
| ANGLES ± -                             |  | FINISH                      |  | SEE NOTE 1  |  |

## X-ON Electronics

Largest Supplier of Electrical and Electronic Components

*Click to view similar products for [Modular Connectors / Ethernet Connectors](#) category:*

*Click to view products by [TE Connectivity](#) manufacturer:*

Other Similar products are found below :

[8949-H88/06BLKA/SN](#) [74441-0010/BKN](#) [MP1010RX-1000](#) [MP44RX-1000](#) [PHJ-4P4C-1-V-4](#) [PHP-6P6C-5](#) [GAX-3-66](#) [GAX-8-62](#) [GDCX-PA-66-50](#) [GDCX-PN-64](#) [GDCX-PN-66](#) [GDCX-PN-66-50](#) [GDLX-A-66](#) [GDLX-N-66](#) [GDLX-S-66](#) [GDLX-S-88K](#) [GDTX-S-88-50](#) [GDX-PA-1010](#) [GLX-N-1010M-BLK](#) [GLX-S-88M-BLK](#) [GMX-N-1010](#) [GMX-S-1010](#) [GMX-S-66](#) [GMX-SMT4-N-88](#) [GPX-2-64](#) [GSGX-N-2-88](#) [GSGX-N-4-88](#) [GSX-NS2-88-3.05](#) [GSX-NS2-88-3.05-50](#) [GSX-NS-88-3.05-50](#) [PT-108A-8C-UL](#) [PT-J951-8C](#) [PTS-J531-8CS-50UL](#) [1-1775629-2](#) [A-2014-0-4](#) [GWLX-S-88-GR](#) [GWLX-S9-88-YG](#) [DC-1021-8-WH-6](#) [1300530003](#) [1324640-4](#) [RJ11FTVC2G](#) [RJ11FTVC2N](#) [RJFTVX2SA1G](#) [132764-001](#) [1413235](#) [MP88X-1000](#) [MPS88RX-5000](#) [E5288-S000K3-L](#) [E5908-15A242-L](#) [155302-001](#)