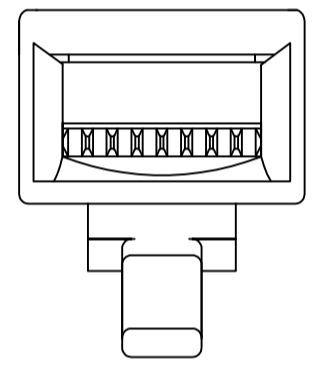
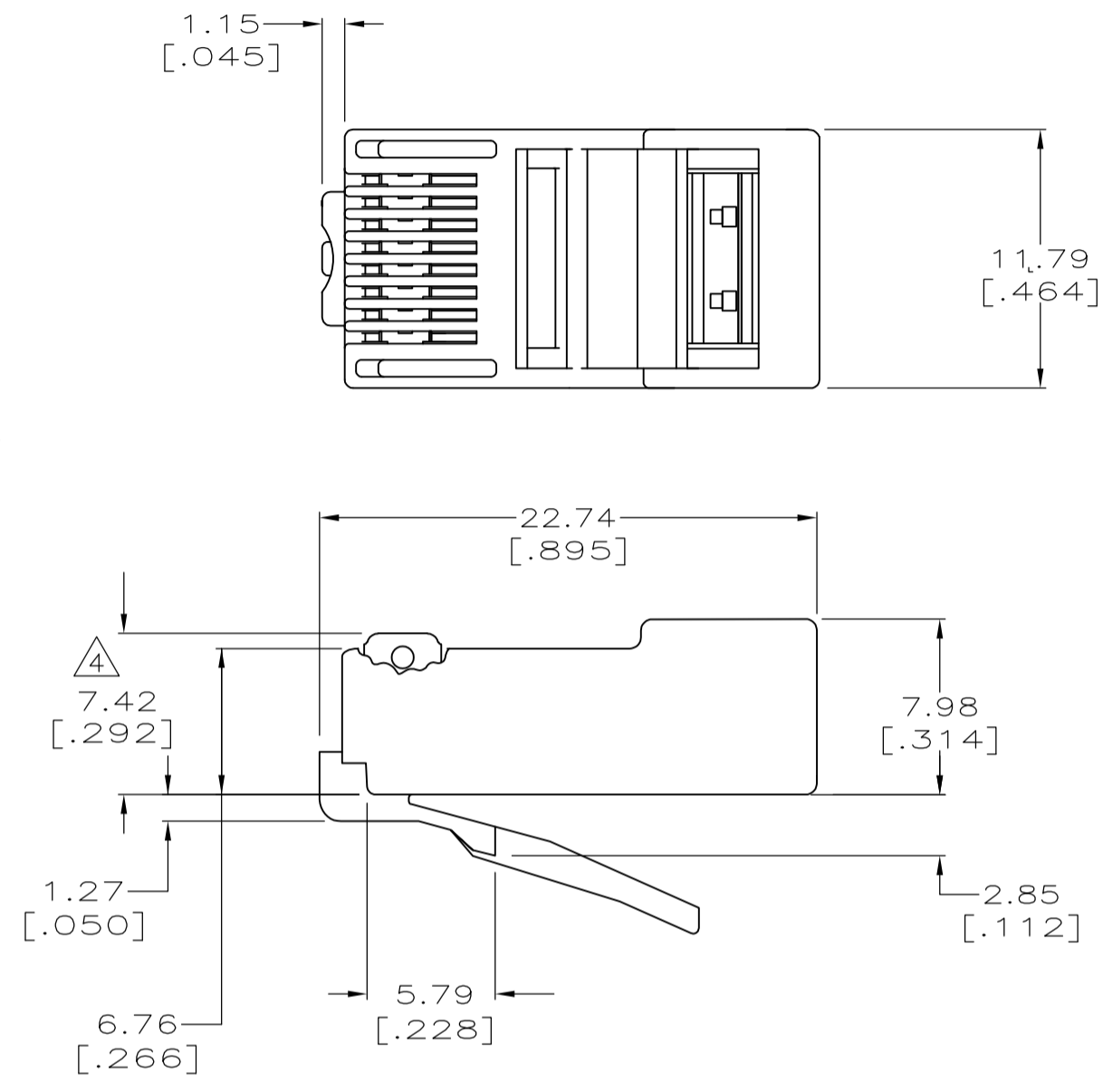
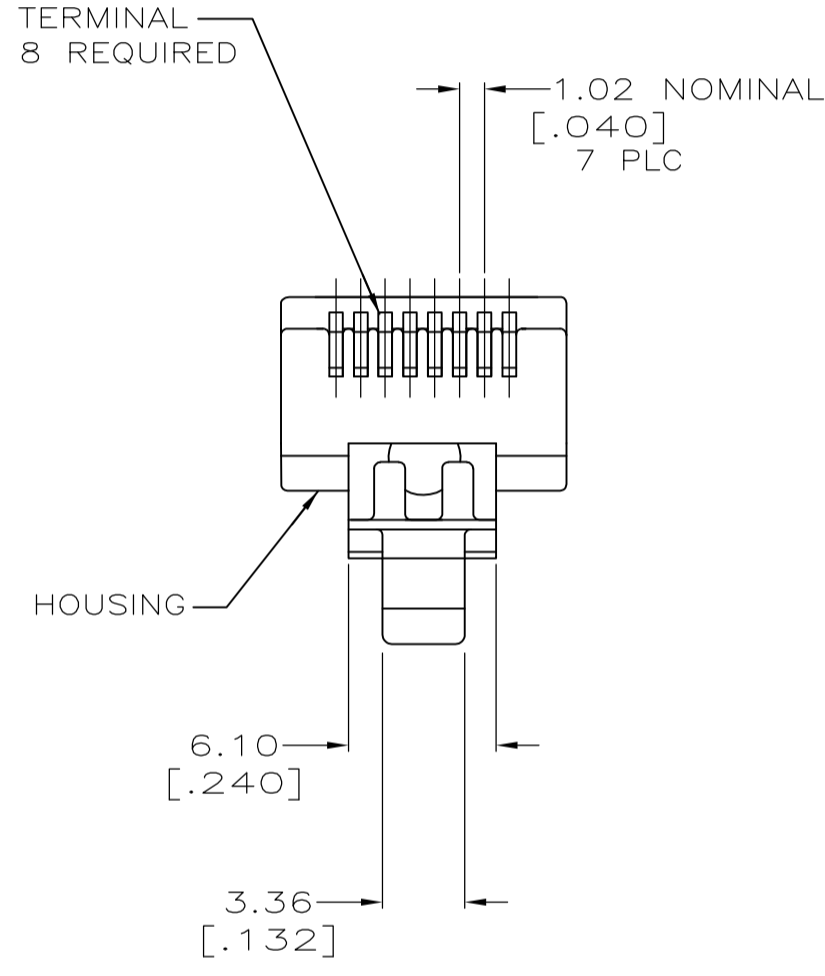


LOC		DIST		REVISIONS			
P	LTR	DESCRIPTION	DATE	DWN	APVD		
F		REV PER ECO-15-007385	19MAY2015	GG	LS		



- ① DIMENSIONS ARE MAXIMUM UNLESS OTHERWISE SPECIFIED.
- ② MATERIAL: HOUSING— POLYCARBONATE, CLEAR
 TERMINAL — .36 [.014] THICK PHOSPHOR BRONZE PLATED WITH .178μm[.000007] THICK GOLD IN LOCALIZED PLATE AREA, OVER .762μm[.000030] THICK PALLADIUM NICKEL IN LOCALIZED PLATE AREA OVER 2.54μm[.000100] THICK NICKEL ON ENTIRE CONTACT.
- 3. PLUG WILL ACCEPT 26 OR 28 AWG STRANDED WIRE, 0.74—0.99 [.029—.039] DIAMETER.
- ④ TERMINATED DIMENSION 6.15 [.242] MAXIMUM.
- ⑥ 500 ASSEMBLIES PER PACKAGE.
- ⑦ 100 ASSEMBLIES PER PACKAGE.

⑦	5-557961-3
⑥	5-557961-2

THIS DRAWING IS A CONTROLLED DOCUMENT.		DWN B. SIMPSON 4-22-93	Tyco Electronics Corporation Harrisburg, PA 17105-3608															
DIMENSIONS: mm [INCHES]		CHK C. WHITT 4-30-93	NAME MCCRATH/HAWKINS															
TOLERANCES UNLESS OTHERWISE SPECIFIED:		APVD 5-5-93	PRODUCT SPEC															
<table border="0"> <tr><td>0 PLC</td><td>± -</td><td>①</td></tr> <tr><td>1 PLC</td><td>± -</td><td></td></tr> <tr><td>2 PLC</td><td>± -</td><td></td></tr> <tr><td>3 PLC</td><td>± -</td><td></td></tr> <tr><td>4 PLC</td><td>± -</td><td></td></tr> </table>		0 PLC	± -	①	1 PLC	± -		2 PLC	± -		3 PLC	± -		4 PLC	± -		APPLICATION SPEC	
0 PLC	± -	①																
1 PLC	± -																	
2 PLC	± -																	
3 PLC	± -																	
4 PLC	± -																	
MATERIAL		WEIGHT	SIZE A2	CAGE CODE 00779														
FINISH			DRAWING NO 557961	RESTRICTED TO														
		CUSTOMER DRAWING	SCALE 4:1	SHEET 1 OF 1														
			REV F															

557961

X-ON Electronics

Largest Supplier of Electrical and Electronic Components

Click to view similar products for [TE Connectivity](#) manufacturer:

Other Similar products are found below :

[D38999/24FJ4AN](#) [570416-000](#) [CLTEQ-M81CE-SSRELAY-4-20V](#) [4-1195131-0](#) [650069-000](#) [SMD100-2](#) [358838-000](#) [CB-1022B-78](#)
[RM707012](#) [RP410012](#) [MMS42](#) [1-640426-8](#) [2EDL4CM](#) [DTS20W19-11PD-3028-LC](#) [RM202615](#) [NC6-P104-06](#) [MSPS103B](#) [DTS26F21-41HE-LC](#) [DTS26F21-41AE](#) [DTS26F21-41PE-LC](#) [DTS26F21-11SE-3028-LC](#) [30DCB6](#) [1932144-1](#) [293545-4](#) [LVR125S](#) [MS27466T25F4PB](#)
[CKB-38-78010](#) [TR04AI-TINELLOCKRING](#) [1206SFF150F/63-2](#) [D38999/20JB35HA](#) [TE1500A2R2J](#) [D38999/20WC8BB](#) [DTS24F19-11SC-3028-LC](#) [D38999/24WG11HA](#) [D38999/24WG11HN](#) [MS27467T21F11H](#) [DJT16E21-11HA](#) [MS27467T21F35J](#) [MS27467T21F11J](#)
[MS27467T21F16H-LC](#) [MS27467T21F35H](#) [MS27467T21F41H-LC](#) [1206SFH150F/24-2](#) [RP330024](#) [DJT16E21-11PA-LC](#) [DJT16E21-11HA-LC](#) [DJT16E21-11AA](#) [MS27467T21B11JA](#) [DJT16E21-11JA](#) [MS27467T21B11JA-LC](#)