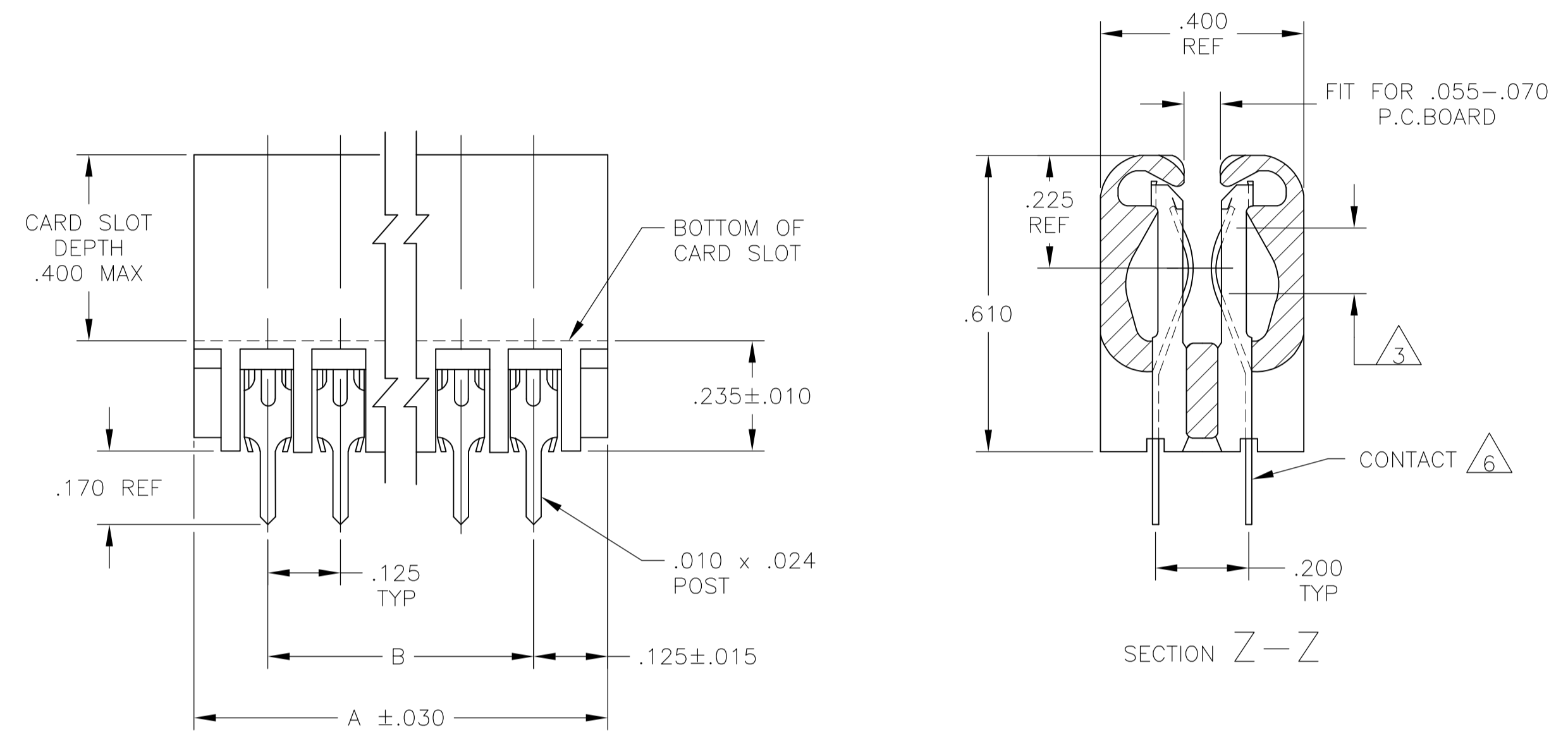


LOC		DIST		REVISIONS			
AD	OO	REV	DATE	DESCRIPTION	DATE	BY	APPV
		0	10AUG2007	OG3C-0515-04		RB	MM



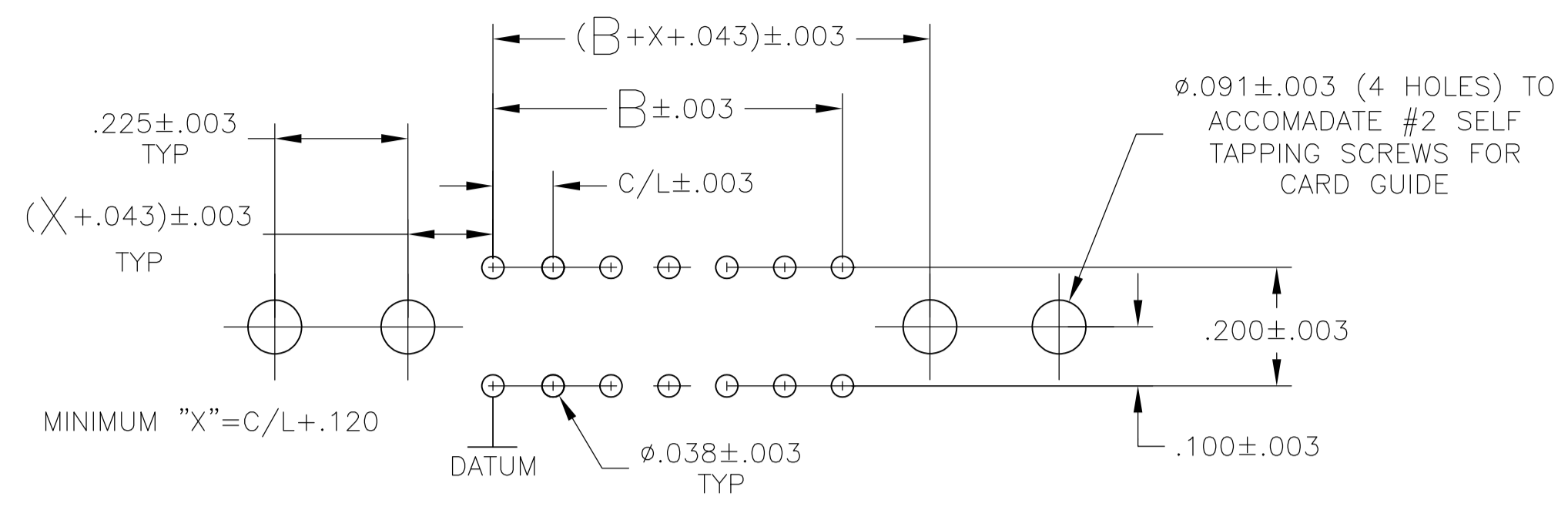
SIZE	CAGE CODE	DRAWING NO	RESTRICTED TO	
7.375	7.625	120	60	5-5583533-2
6.250	6.500	102	51	5-5583533-1
6.125	6.375	100	50	5-5583533-0
8.625	8.875	140	70	4-5583533-9
6.125	6.375	100	50	4-5583533-8
6.000	6.250	98	49	4-5583533-7
5.875	6.125	96	48	4-5583533-6
5.750	6.000	94	47	4-5583533-5
5.625	5.875	92	46	4-5583533-4
5.500	5.750	90	45	4-5583533-3
5.375	5.625	88	44	4-5583533-2
5.250	5.500	86	43	4-5583533-1
5.125	5.375	84	42	4-5583533-0
5.000	5.250	82	41	3-5583533-9
4.875	5.125	80	40	3-5583533-8
4.750	5.000	78	39	3-5583533-7
4.625	4.875	76	38	3-5583533-6
4.500	4.750	74	37	3-5583533-5
4.375	4.625	72	36	3-5583533-4
4.250	4.500	70	35	3-5583533-3
4.125	4.375	68	34	3-5583533-2
4.000	4.250	66	33	3-5583533-1
3.875	4.125	64	32	3-5583533-0
3.750	4.000	62	31	2-5583533-9
3.625	3.875	60	30	2-5583533-8
3.500	3.750	58	29	2-5583533-7
3.375	3.625	56	28	2-5583533-6
3.250	3.500	54	27	2-5583533-5
3.125	3.375	52	26	2-5583533-4
3.000	3.250	50	25	2-5583533-3
2.875	3.125	48	24	2-5583533-2
2.750	3.000	46	23	2-5583533-1
2.625	2.875	44	22	2-5583533-0
2.500	2.750	42	21	1-5583533-9
2.375	2.625	40	20	1-5583533-8
2.250	2.500	38	19	1-5583533-7
2.125	2.375	36	18	1-5583533-6
2.000	2.250	34	17	1-5583533-5
1.875	2.125	32	16	1-5583533-4
1.750	2.000	30	15	1-5583533-3
1.625	1.875	28	14	1-5583533-2
1.500	1.750	26	13	1-5583533-1
1.375	1.625	24	12	1-5583533-0
1.250	1.500	22	11	5583533-9
1.125	1.375	20	10	5583533-8
1.000	1.250	18	9	5583533-7
.875	1.125	16	8	5583533-6
.750	1.000	14	7	5583533-5
.625	.875	12	6	5583533-4
.500	.750	10	5	5583533-3
.375	.625	8	4	5583533-2
.250	.500	6	3	5583533-1
B	A	CONTACT NO. REQD	NO OF POSN	PART NO

- 1 HOUSING MATERIAL: GLASS-FILLED POLYESTER S.E.I., COLOR-BLACK
- 2 CONTACT MATERIAL: PHOSPHOR BRONZE
- 3 FINISH: .000015 GOLD SELECTIVE PLATING
- 4 SEE SHEET 2 FOR RECOMMENDED PRINTED CIRCUIT BOARD LAYOUT
- 5 FINISH: .000030 GOLD SELECTIVE PLATING
- 6 MATTE TIN PLATE ON SOLDER TAILS

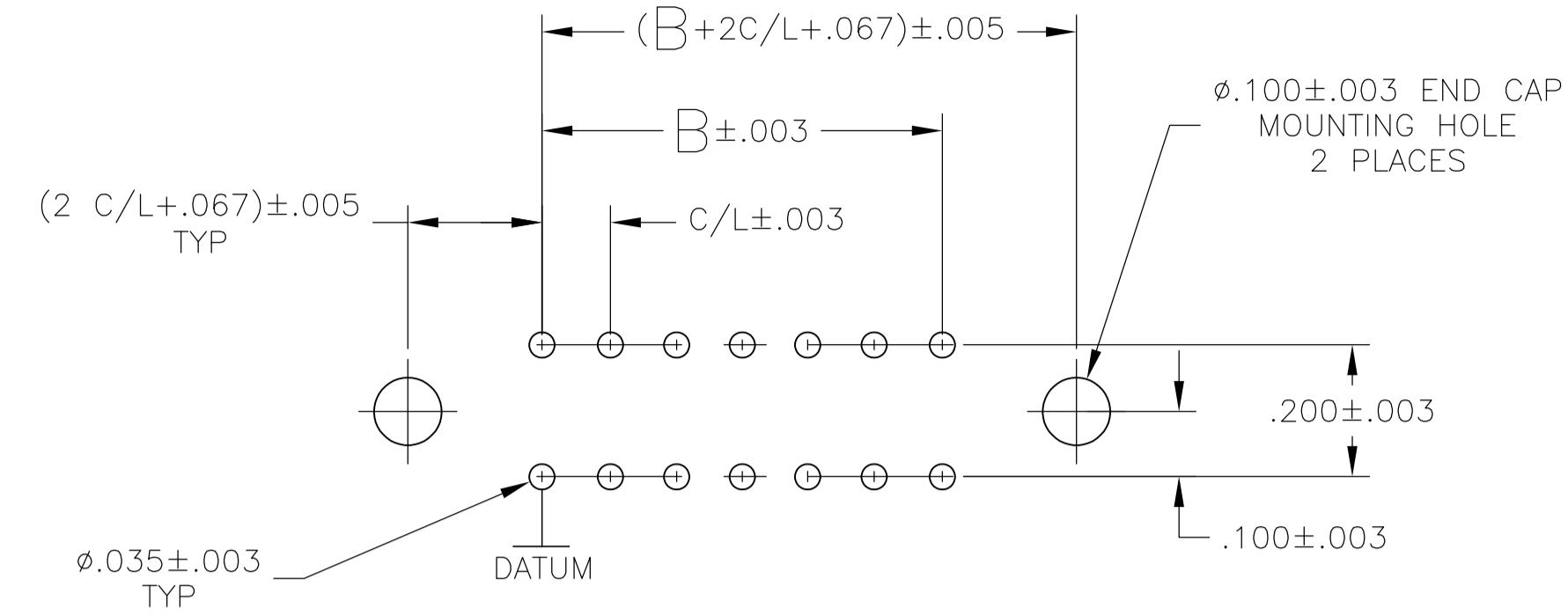
THIS DRAWING IS A CONTROLLED DOCUMENT.

DIMENSIONS: INCHES	TOLERANCES UNLESS OTHERWISE SPECIFIED:	0 PLC ± -	1 PLC ± -	2 PLC ± -	3 PLC ± .005	4 PLC ± -	ANGLES ± -
		1-2      3-4					

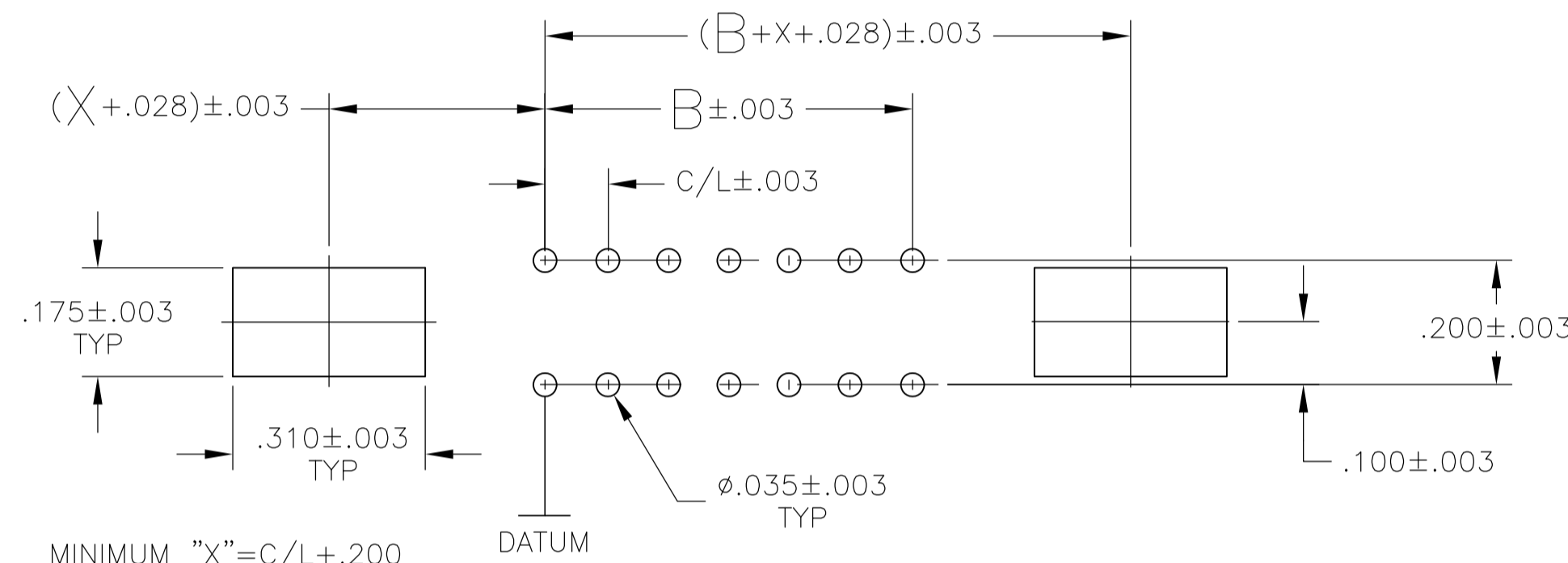
DIN R BROWN CHK M MILLER APVD M MILLER DATE 10AUG2007	Tyco Electronics Corporation Harrisburg, Pa 17105-3608
NAME: HOUSING ASSY., TWIN LEAF, .125 CL SOLDER TYPE POST	SIZE: A1    CAGE CODE: 00779    DRAWING NO: 5583533
WEIGHT: -	SCALE: 4:1    SHEET: 1 OF 2    REV: 0



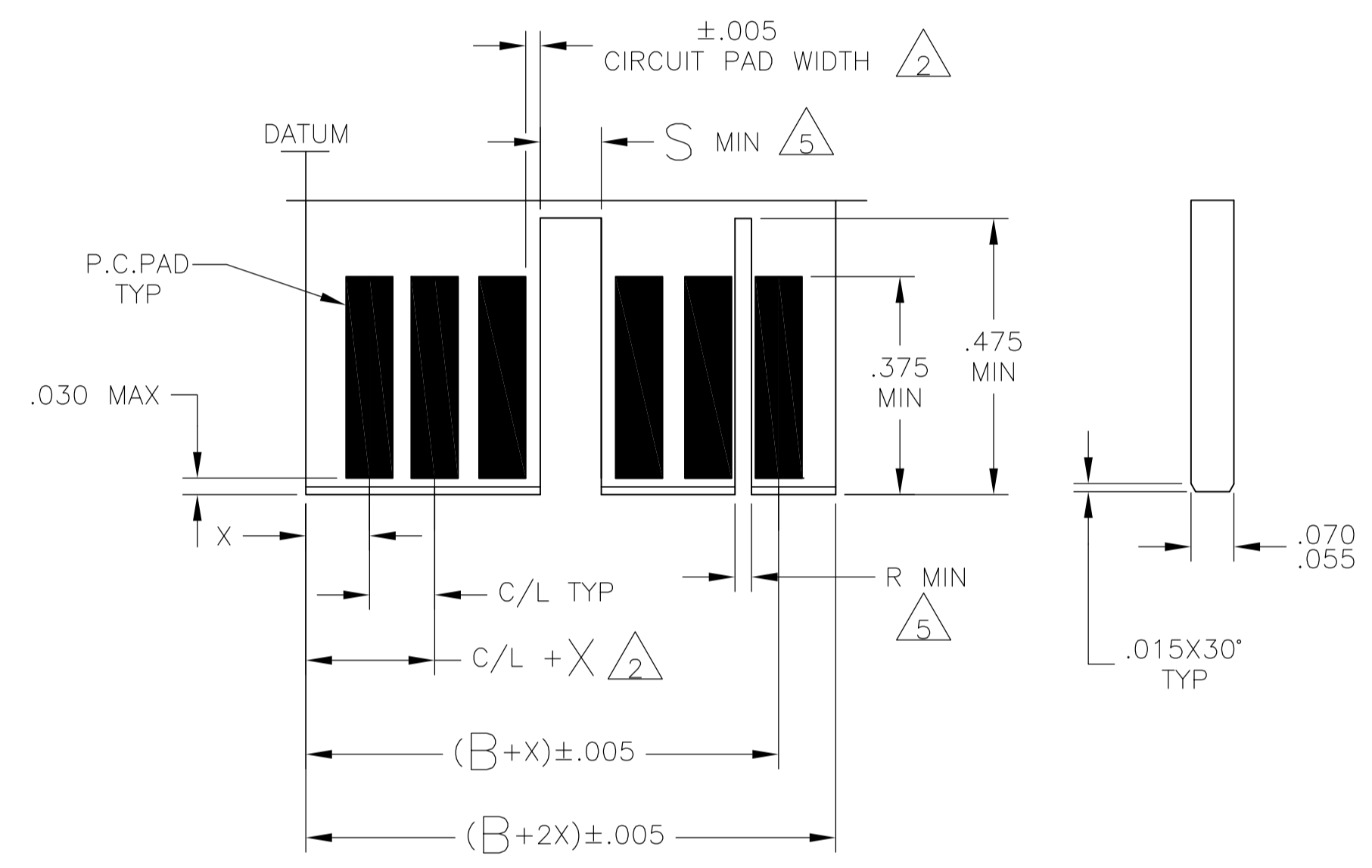
BOARD LAYOUT FOR USE WITH AMP CARD GUIDE PART NO. 583671



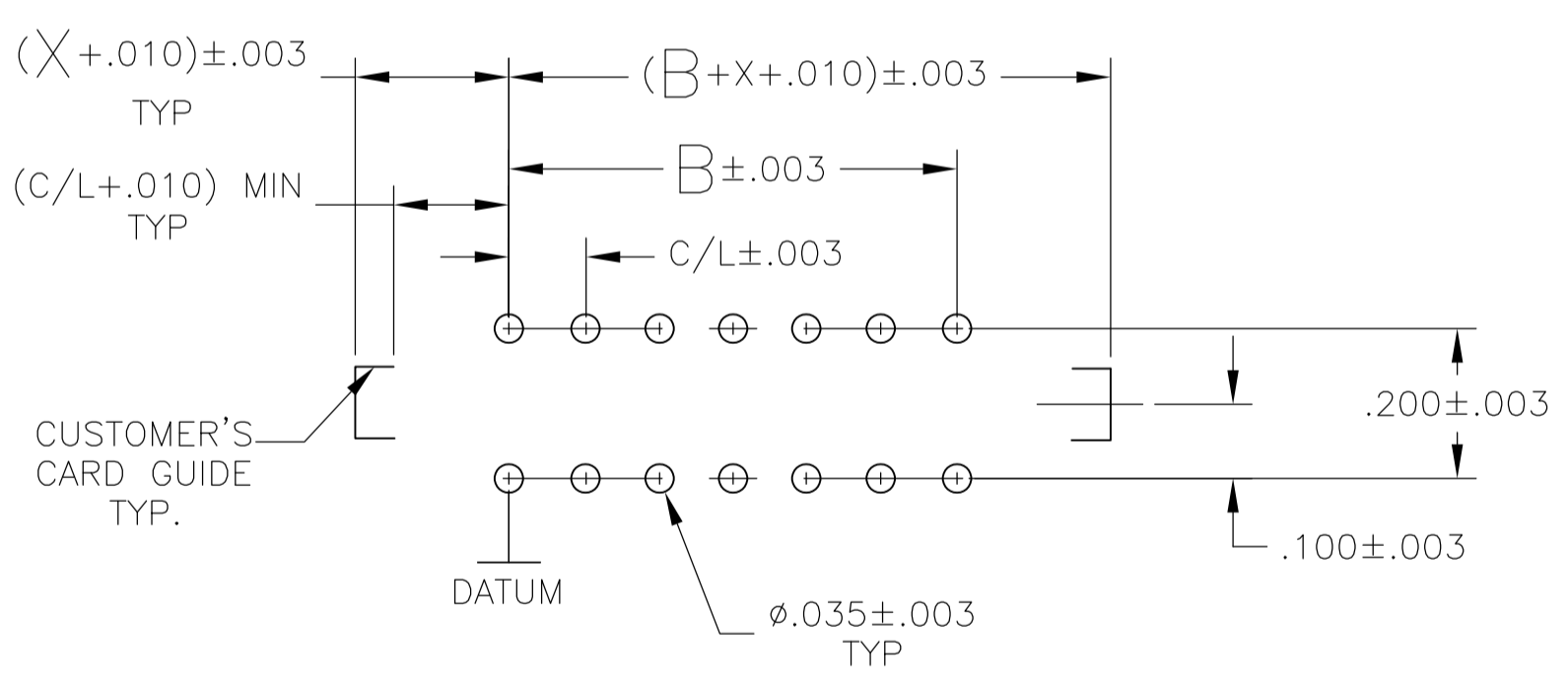
BOARD LAYOUT FOR USE WITH END CAP



BOARD LAYOUT FOR USE WITH AMP CARD GUIDE PART NO. 583408 OR 583425



DAUGHTER BOARD LAYOUT



BOARD LAYOUT FOR USE WITH CUSTOMER SUPPLIED CARD GUIDE

- MAX ALLOWABLE WARPAGE OF MOTHER BOARD NOT TO EXCEED .005/IN. MAX. ALLOWABLE BOW OF DAUGHTER BOARD NOT TO EXCEED .010/IN. THICKNESS OF MOTHER BOARD IS .062 FOR DOUBLE SLOTTED CARD GUIDES AND .104 MAX. FOR ALL OTHER MOUNTING CONDITIONS.
- EACH PAD LOCATION INCREASES BY C/L±.005 WITH A NON-CUMULATIVE TOLERANCE OF ±.005. CIRCUIT PAD WIDTH -.045 FOR .100 C/L, .072 FOR .125 C/L, .072 FOR .150 C/L, .080 FOR .156 C/L. DIMENSIONS APPLY TO BOTH SIDES OF DAUGHTER BOARD.
- C/L INCREMENTS ON MOTHER BOARD HAVE ±.003 NON-CUMULATIVE TOLERANCE.
- "X" IS A CUSTOMER CONTROLLED DIMENSION EXCEPT FOR END CAP ASSEMBLIES WHERE "X" = C/L - .008
- THE SLOT FOR INTER-CONTACT KEYING PLUGS MUST BE CENTERED BETWEEN THE PRINTED CIRCUIT PADS, WHILE THE SLOT FOR ON-CONTACT KEYING PLUGS MUST BE CENTERED ON THE AREA OF A PRINTED CIRCUIT PAD.

INTER-CONTACT KEYING PLUG	"R"	FOR CENTER LINE SPACING
530030-1	.050	.125-.150-.156
530030-2	.040	.100

ON CONTACT KEYING PLUG	"S"	FOR CENTER LINE SPACING
583714-1	.129	.100-.125
583714-2	.160	.150-.156

THIS DRAWING IS A CONTROLLED DOCUMENT.		DIN R BROWN 10AUG2007	Tyco Electronics Corporation Harrisburg, Pa 17105-3608	
DIMENSIONS: INCHES		CHK M MILLER 10AUG2007	NAME HOUSING ASSY., TWIN LEAF, .125 CL SOLDER TYPE POST	
TOLERANCES UNLESS OTHERWISE SPECIFIED:		APVD M MILLER 10AUG2007	PRODUCT SPEC	
0. PLC ± -		APPLICATION SPEC		
1. PLC ± -		SIZE A1		
2. PLC ± -		CAGE CODE 00779		
3. PLC ± .005		DRAWING NO. 5583533		
4. PLC ± -		WEIGHT		
5. ANGLES ± -		CUSTOMER DRAWING		
MATERIAL		SCALE 4:1		
FINISH		SHEET 2 OF 2		
		REV 0		

## X-ON Electronics

Largest Supplier of Electrical and Electronic Components

*Click to view similar products for [Standard Card Edge Connectors](#) category:*

*Click to view products by [TE Connectivity](#) manufacturer:*

Other Similar products are found below :

[6565204-6](#) [PKC-156](#) [1437274-4](#) [147889-1](#) [1489165-4](#) [1-582587-1](#) [1-582589-1](#) [2-6437275-9](#) [284-0102-12100](#) [306022901000000](#) [307-012-502-202](#) [307-024-526-201](#) [307-056-520-300](#) [307-080-526-208](#) [245-062-520-350](#) [287-0032-12101](#) [306-028-525-102](#) [306-240-318](#) [307-036-502-202](#) [307-036-521-301](#) [307-072-526-202](#) [345-060-559-303](#) [368-004-520-201](#) [392-008-559-201](#) [534671-1](#) [5-530501-5](#) [341-240-317](#) [345-029-520-300](#) [345-030-500-301](#) [345-044-500-300](#) [345-220-058](#) [346-240-318](#) [357-030-526-201](#) [387-012-523-300](#) [395-044-520-300](#) [395-100-524-300](#) [50-12B-10](#) [50-6SN-5](#) [09-07-2032](#) [10035388-106LF](#) [10035388-802LF](#) [10122859-009LF](#) [530555-1](#) [EBT156-15A2X](#) [2007209-1](#) [5-678046-1](#) [1766200-1](#) [650231-6](#) [650289-1](#) [73726-0005](#)