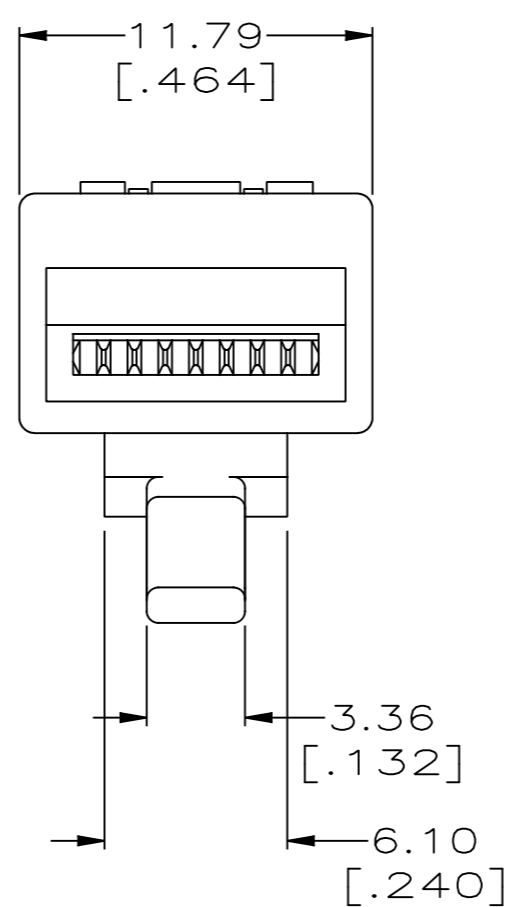
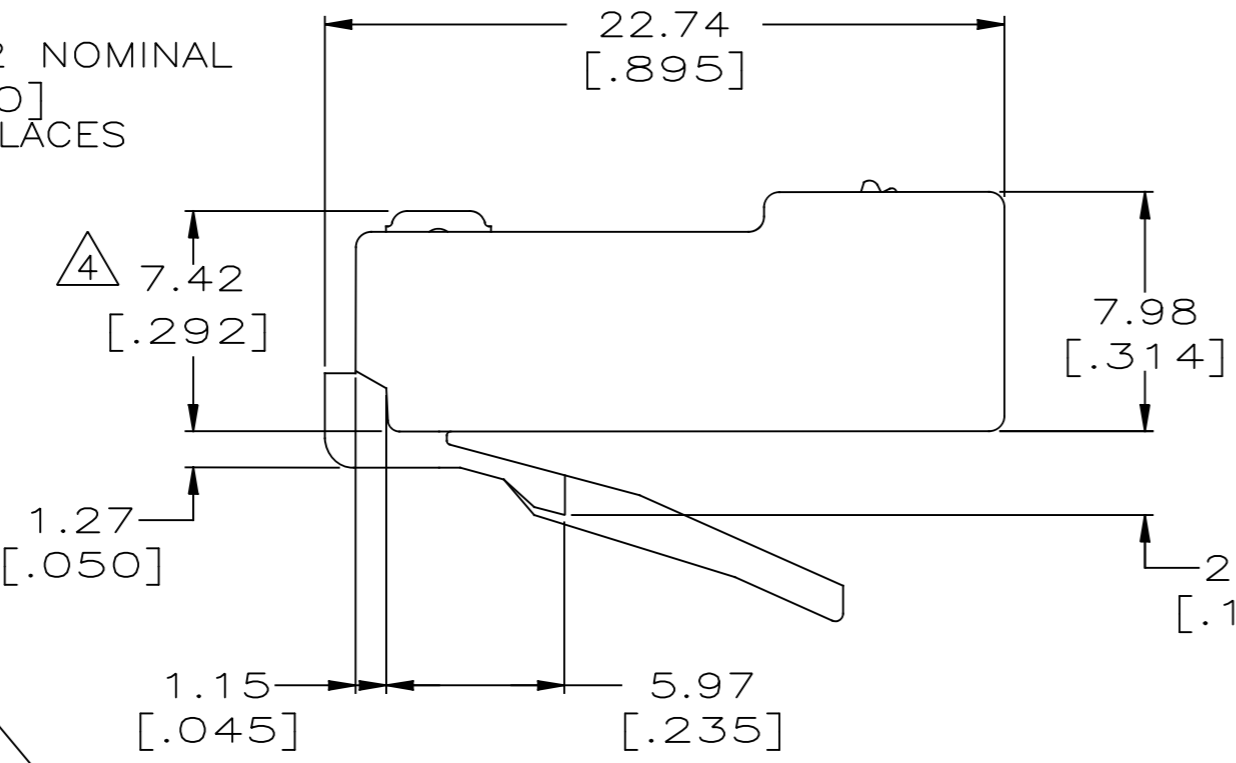
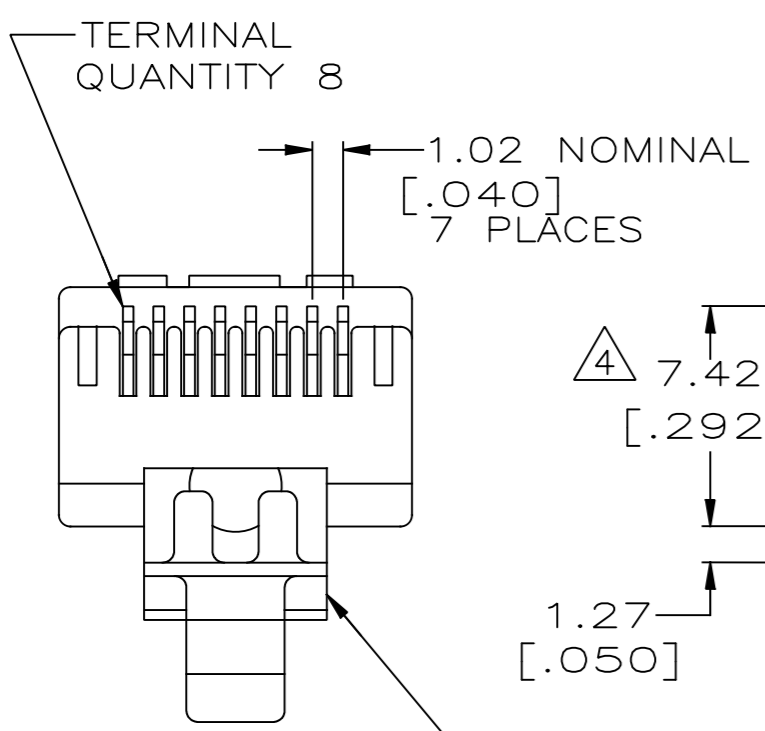
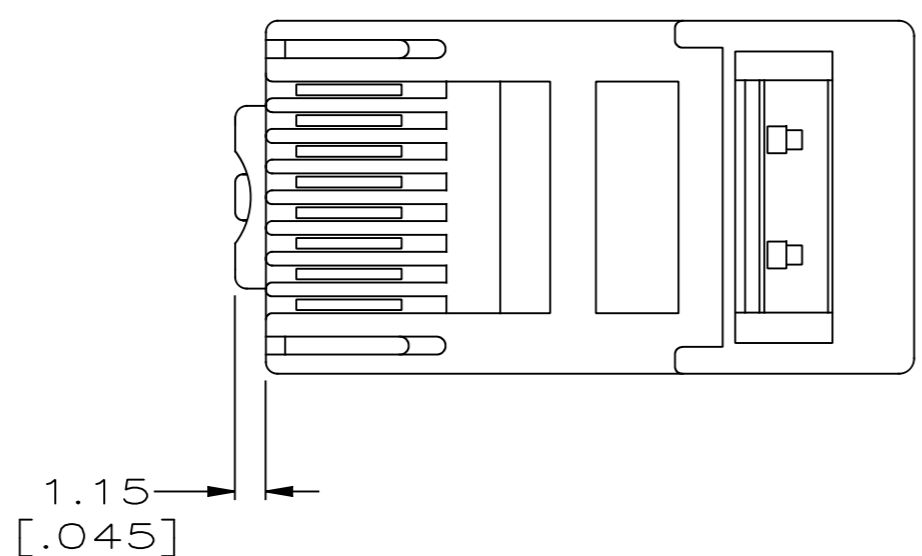
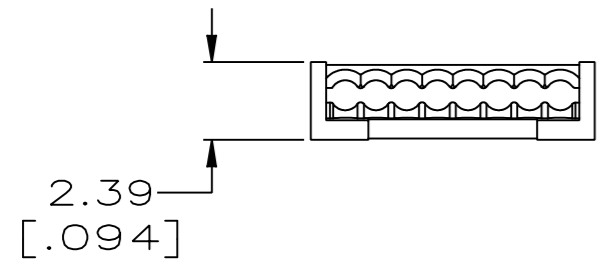
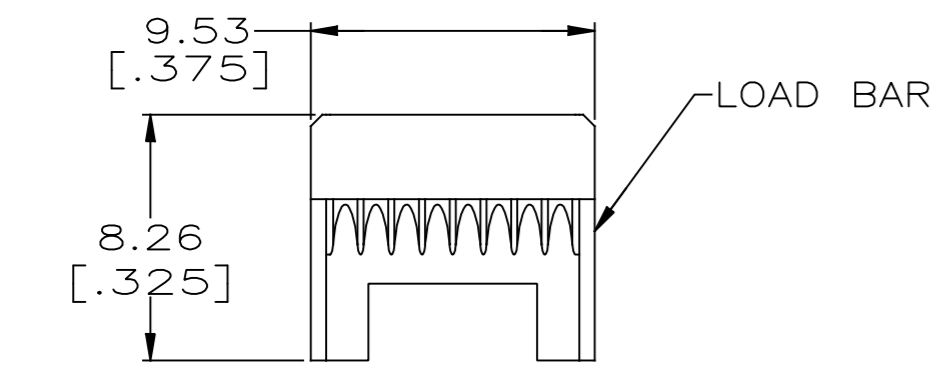


THIS DRAWING IS UNPUBLISHED. RELEASED FOR PUBLICATION
 © 2016 Commscope, INC. Confidential NOTICE: These drawings and specifications are the proprietary property of COMMSCOPE, INC. and may be used only for the specific purpose authorized in writing by COMMSCOPE, INC.

LOC	DIST	REVISIONS				
P	LTR	DESCRIPTION	DATE	DWN	APVD	
HM	00	L1	SUPERSEDED; 40024507MCO	03SEP2015	GG	SJ
		M	REV PER BNS_CD_BRAND	20JAN2017	GG	DC



- 1 MATERIAL:
HOUSING-94V-0 RATED POLYCARBONATE,CLEAR.
TERMINAL-0.36 [.014] THICK PHOSPHOR BRONZE PLATED WITH 0.178um [.000007] GOLD IN LOCALIZED AREA OVER 0.762um [.000030] PALLADIUM NICKEL IN LOCALIZED AREA, OVER 2.54um [.000100] NICKEL UNDERPLATE COVERING THE ENTIRE TERMINAL.
LOAD BAR - PBT POLYESTER, BLACK.
- 2 DIMENSIONS ARE MAXIMUM UNLESS OTHERWISE SPECIFIED.
- 3. PLUG WILL ACCEPT A 24 AWG STRANDED CONDUCTOR, PROVIDED THE INSULATED CONDUCTOR DIAMETER IS LESS THAN OR EQUAL TO 0.99 [.039]; WITH A MAXIMUM CABLE JACKET DIAMETER OF 5.59 [.220], MINIMUM 4.83 [.190].
- 4 TERMINATED DIMENSION 6.15[.242] MAXIMUM.
- 5 500 ASSEMBLIES AND 500 LOAD BARS PER PACKAGE.
- 6 100 ASSEMBLIES AND 100 LOAD BARS PER PACKAGE.
- 9. UL RECOGNIZED: FILE NUMBER E81956

SUPERSEDED BY: 2843004
 REFERENCE CATALOG SERIES MP-5EU-

6	5-558530-3
5	5-558530-2
PACKAGED	PART NUMBER

THIS DRAWING IS A CONTROLLED DOCUMENT.		DWN	T. WOOTEN	5-31-94	COMMSCOPE, INC.		
		CHK	D. HUSSEY	7-13-94			
DIMENSIONS:		TOLERANCES UNLESS OTHERWISE SPECIFIED:		NAME		PRODUCT SPEC	
mm[INCHES]		0 PLC ± -		-		108-1163	
1 PLC ± -		2 PLC ± -		APPLICATION SPEC		114-6053	
2 PLC ± -		3 PLC ± -		SIZE		A2	
3 PLC ± -		4 PLC ± -		CAGE CODE		C=558530	
4 PLC ± -		ANGLES ± -		DRAWING NO		RESTRICTED TO	
FINISH		FINISH		SCALE		SHEET	
- 1		- 1		4.1		1 of 1	
MATERIAL				WEIGHT		REV	
-				-		M	
CUSTOMER DRAWING				SCALE		SHEET	
				4.1		1 of 1	

558530

A

X-ON Electronics

Largest Supplier of Electrical and Electronic Components

Click to view similar products for [Modular Connectors / Ethernet Connectors](#) category:

Click to view products by [TE Connectivity](#) manufacturer:

Other Similar products are found below :

[8949-H88/06BLKA/SN](#) [74441-0010/BKN](#) [MP1010RX-1000](#) [MP44RX-1000](#) [PHJ-4P4C-1-V-4](#) [PHP-6P6C-5](#) [GAX-3-66](#) [GAX-8-62](#) [GDCX-PA-66-50](#) [GDCX-PN-64](#) [GDCX-PN-66](#) [GDCX-PN-66-50](#) [GDLX-A-66](#) [GDLX-N-66](#) [GDLX-S-66](#) [GDLX-S-88K](#) [GDTX-S-88-50](#) [GDX-PA-1010](#) [GLX-N-1010M-BLK](#) [GLX-S-88M-BLK](#) [GMX-N-1010](#) [GMX-S-1010](#) [GMX-S-66](#) [GMX-SMT4-N-88](#) [GPX-2-64](#) [GSGX-N-2-88](#) [GSGX-N-4-88](#) [GSX-NS2-88-3.05](#) [GSX-NS2-88-3.05-50](#) [GSX-NS-88-3.05-50](#) [PT-108A-8C-UL](#) [PT-J951-8C](#) [PTS-J531-8CS-50UL](#) [1-1775629-2](#) [A-2014-0-4](#) [GWLX-S-88-GR](#) [GWLX-S9-88-YG](#) [DC-1021-8-WH-6](#) [1300530003](#) [1324640-4](#) [RJ11FTVC2G](#) [RJ11FTVC2N](#) [RJFTVX2SA1G](#) [132764-001](#) [1413235](#) [MP88X-1000](#) [MPS88RX-5000](#) [E5288-S000K3-L](#) [E5908-15A242-L](#) [155302-001](#)