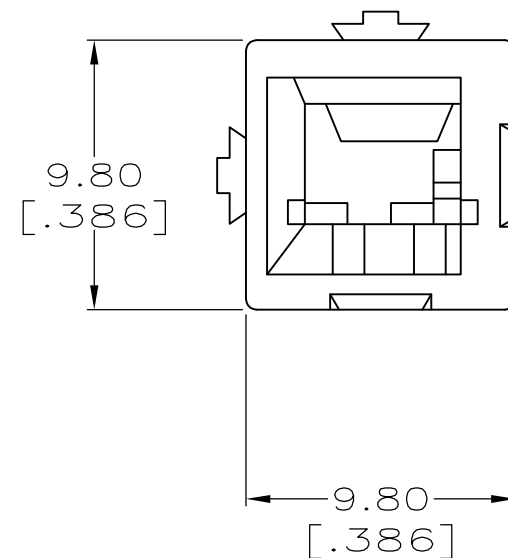
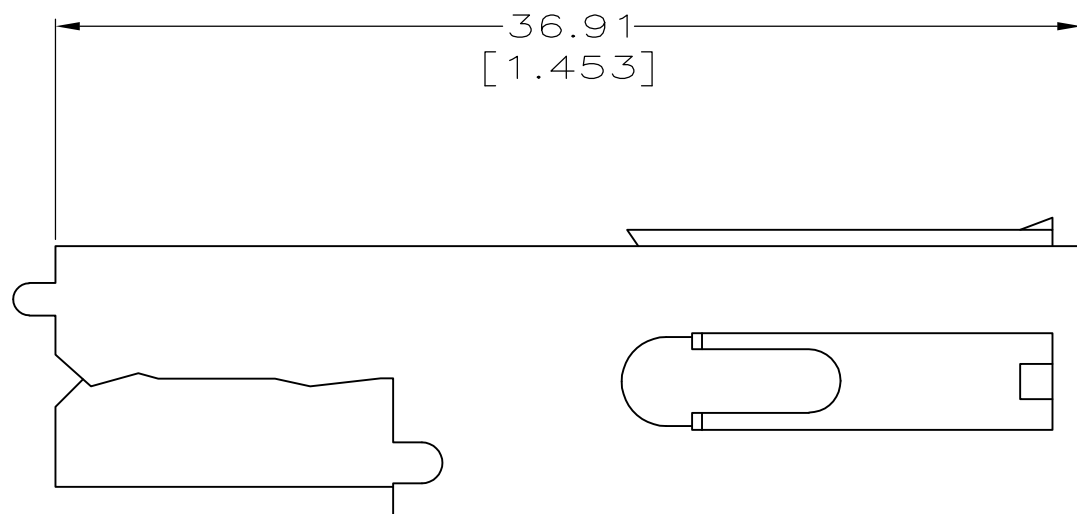


THIS DRAWING IS UNPUBLISHED. RELEASED FOR PUBLICATION
 © COPYRIGHT - By - ALL RIGHTS RESERVED.

LOC	DIST	REVISIONS					
FT	60	P	LTR	DESCRIPTION	DATE	DWN	APVD
		B1		REVISED PER ECO-11-004917	11MAR11	RK	HMR



- ⚠ ALL DIMENSIONS ARE MAXIMUM UNLESS OTHERWISE SPECIFIED.
2. THIS HOUSING IS USED WITH TERMINALS 556135-1,-2 [18-16-14 AWG CU WIRE: (-1) REEL AND (-2) LOOSE PIECE], AND 556136-1,-2 [12 AND 10 AWG CU WIRE: (-1) REEL AND (-2) LOOSE PIECE] AND MOUNTING ADAPTER 557313-1.

GRAY	556137-8
BLUE	556137-6
RED	556137-4
GREEN	556137-3
BLACK	556137-2
WHITE	556137-1
COLOR	PART NUMBER

THIS DRAWING IS A CONTROLLED DOCUMENT.		DWN M.BINNER 13 MAR 97											
DIMENSIONS: mm[INCHES]		CHK R.STONE 14 MAR 97											
TOLERANCES UNLESS OTHERWISE SPECIFIED:		APVD M.McALONIS 17 MAR 97											
<table border="0"> <tr> <td>0 PLC</td> <td>± -</td> <td rowspan="5">⚠</td> </tr> <tr> <td>1 PLC</td> <td>± -</td> </tr> <tr> <td>2 PLC</td> <td>± -</td> </tr> <tr> <td>3 PLC</td> <td>± -</td> </tr> <tr> <td>4 PLC ANGLES</td> <td>± -</td> </tr> </table>		0 PLC	± -	⚠	1 PLC	± -	2 PLC	± -	3 PLC	± -	4 PLC ANGLES	± -	NAME HOUSING, SINGLE POSITION, WTW, AMPINERGY™
0 PLC	± -	⚠											
1 PLC	± -												
2 PLC	± -												
3 PLC	± -												
4 PLC ANGLES	± -												
MATERIAL POLYCARBONATE, 94V-0 COLOR: SEE TABLE		FINISH -	PRODUCT SPEC 108-1373	SIZE A3	CAGE CODE 00779	DRAWING NO C-556137	RESTRICTED TO -						
CUSTOMER DRAWING			SCALE 4:1	SHEET 1 of 1	REV B1								

X-ON Electronics

Largest Supplier of Electrical and Electronic Components

Click to view similar products for [DC Power Connectors](#) category:

Click to view products by [TE Connectivity](#) manufacturer:

Other Similar products are found below :

[1600206-1](#) [163-0301-EX](#) [163-0302](#) [163-0308-EX](#) [163-0310-EX](#) [163-1061-EX](#) [163-1100-EX](#) [163-4024](#) [163-4117-EX](#) [163-4118-EX](#) [163-5005-E](#) [163-7421](#) [163-MJ22-EX](#) [171-0721-EX](#) [171-0725-EX](#) [171-3118-EX](#) [171-3210-E](#) [171-3221-EX](#) [171-3222-EX](#) [171-A1326-EX](#) [173-23507-ST-EX](#) [173-5521TIP-EX](#) [173-6330TIP-EX](#) [KLDVX-SMT-02-ATR](#) [KLDX-0201-AHT-1](#) [KLDX-0202-AHT](#) [KLDX-SMT-0202-BP](#) [KLDX-SMT-0202-BPTR](#) [163-0179-EX](#) [163-0307-E](#) [163-0309-EX](#) [163-4007-EX](#) [163-4015-EX](#) [163-4025](#) [163-4119-E](#) [163-4303-E](#) [16PJ101-EX](#) [171-0702-EX](#) [171-0722-E](#) [171-0726-EX](#) [171-2122-EX](#) [171-3216-EX](#) [171-3218-EX](#) [171-3219-EX](#) [171-3220-EX](#) [171-7391](#) [173-3413-ST-EX](#) [173-4017-ST-EX](#) [RAPCBRK](#) [K596](#)