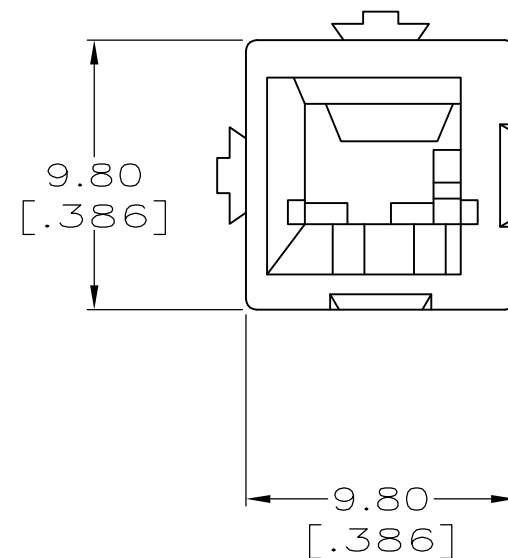
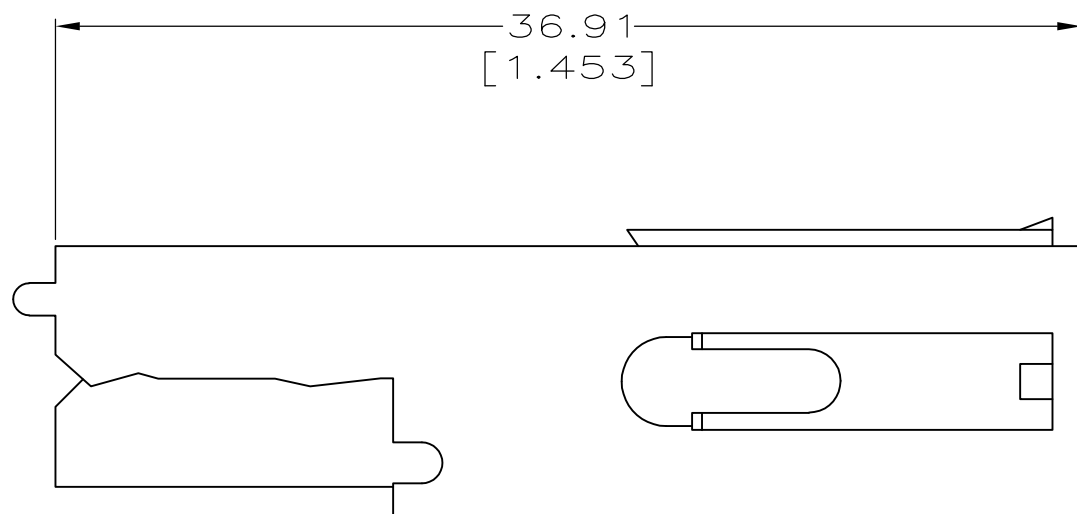


THIS DRAWING IS UNPUBLISHED. RELEASED FOR PUBLICATION  
 © COPYRIGHT - By - ALL RIGHTS RESERVED.

LOC	DIST	REVISIONS					
FT	60	P	LTR	DESCRIPTION	DATE	DWN	APVD
		B1		REVISED PER ECO-11-004917	11MAR11	RK	HMR



1. ALL DIMENSIONS ARE MAXIMUM UNLESS OTHERWISE SPECIFIED.
2. THIS HOUSING IS USED WITH TERMINALS 556135-1,-2 [18-16-14 AWG CU WIRE: (-1) REEL AND (-2) LOOSE PIECE], AND 556136-1,-2 [12 AND 10 AWG CU WIRE: (-1) REEL AND (-2) LOOSE PIECE] AND MOUNTING ADAPTER 557313-1.

GRAY	556137-8
BLUE	556137-6
RED	556137-4
GREEN	556137-3
BLACK	556137-2
WHITE	556137-1
COLOR	PART NUMBER

THIS DRAWING IS A CONTROLLED DOCUMENT.		DWN M.BINNER 13 MAR 97													
DIMENSIONS: mm[INCHES]		CHK R.STONE 14 MAR 97													
TOLERANCES UNLESS OTHERWISE SPECIFIED:		APVD M.McALONIS 17 MAR 97	NAME HOUSING, SINGLE POSITION, WTW, AMPINERGY™												
<table border="0"> <tr> <td>0 PLC</td> <td>± -</td> <td rowspan="5"> </td> </tr> <tr> <td>1 PLC</td> <td>± -</td> </tr> <tr> <td>2 PLC</td> <td>± -</td> </tr> <tr> <td>3 PLC</td> <td>± -</td> </tr> <tr> <td>4 PLC ANGLES</td> <td>± -</td> </tr> </table>		0 PLC	± -		1 PLC	± -	2 PLC	± -	3 PLC	± -	4 PLC ANGLES	± -	PRODUCT SPEC 108-1373	SIZE A3	
0 PLC	± -														
1 PLC	± -														
2 PLC	± -														
3 PLC	± -														
4 PLC ANGLES	± -														
MATERIAL POLYCARBONATE, 94V-0 COLOR: SEE TABLE		APPLICATION SPEC 114-6051	CAGE CODE 00779	DRAWING NO C-556137											
FINISH -		WEIGHT -	RESTRICTED TO -												
CUSTOMER DRAWING			SCALE 4:1	SHEET 1 of 1											
			REV B1												

## X-ON Electronics

Largest Supplier of Electrical and Electronic Components

*Click to view similar products for [Power to the Board](#) category:*

*Click to view products by [TE Connectivity](#) manufacturer:*

Other Similar products are found below :

[6450171-4](#) [6450552-7](#) [6600323-8](#) [6643429-1](#) [6646040-2](#) [6651939-1](#) [6766604-1](#) [120959-1](#) [1393557-2](#) [1393532-2](#) [1393532-3](#) [1393532-4](#)  
[1393557-1](#) [1600812-5](#) [1-6450861-2](#) [1744132-7](#) [1761122-1](#) [1766250-1](#) [1892109-1](#) [2-6450860-5](#) [2-6450870-0](#) [1-6450161-4](#) [1-6450850-6](#) [1-6450869-6](#) [1645526-2](#) [1-6600130-0](#) [2005243-2](#) [377-0020-11130](#) [TE34-12-16P-F0](#) [5-6450830-6](#) [5646956-4](#) [377-0080-11131A](#) [4-6450830-9](#)  
[4-6600333-3](#) [10125416-4050LF](#) [6600320-3](#) [3-6450860-5](#) [1888123-2](#) [6450166-1](#) [6643978-1](#) [6766605-1](#) [701-15-02109](#) [N11444](#) [6651938-1](#)  
[6450810-7](#) [46437-1112](#) [1-1589677-8](#) [5646956-5](#) [6450813-2](#) [6450129-4](#)