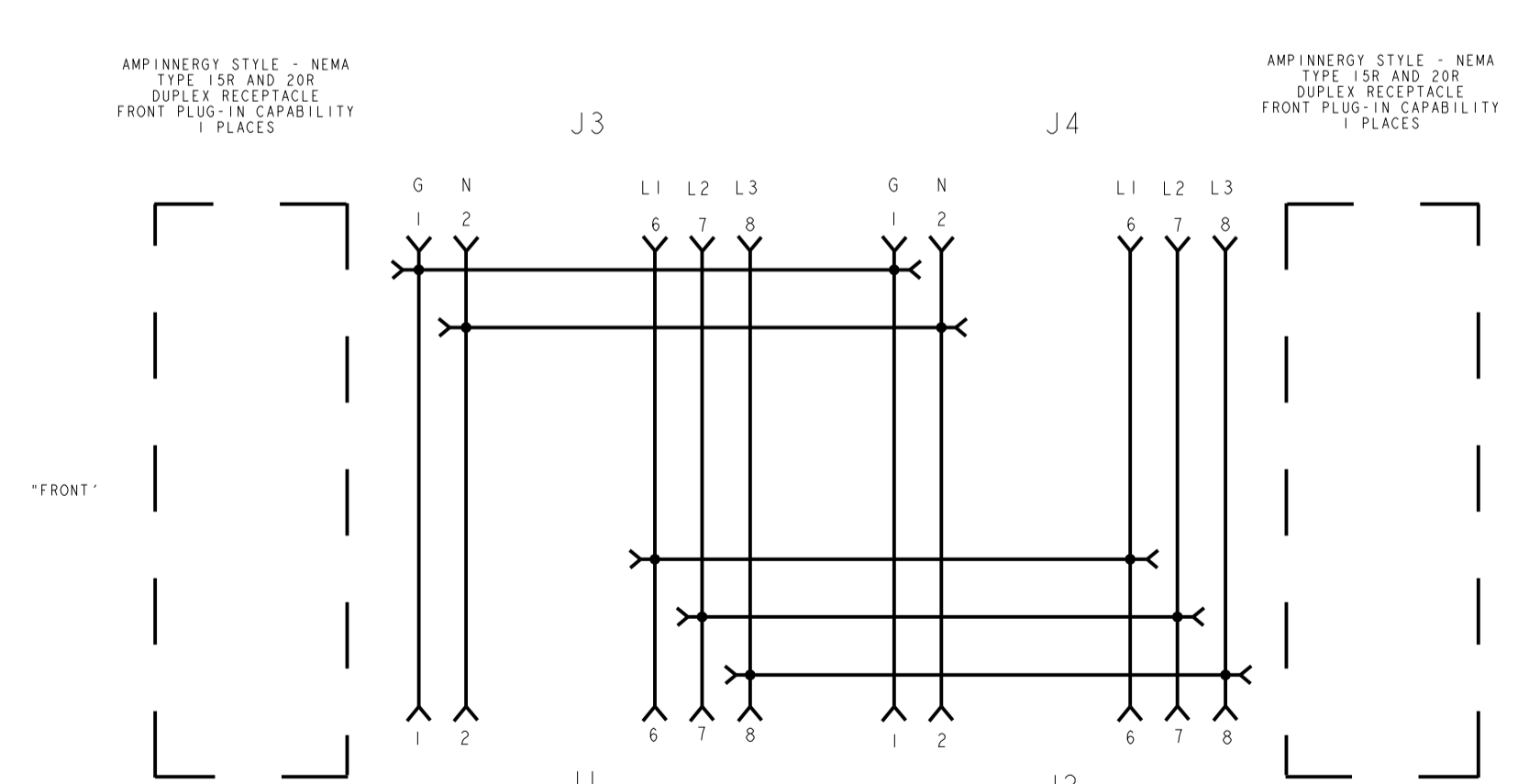
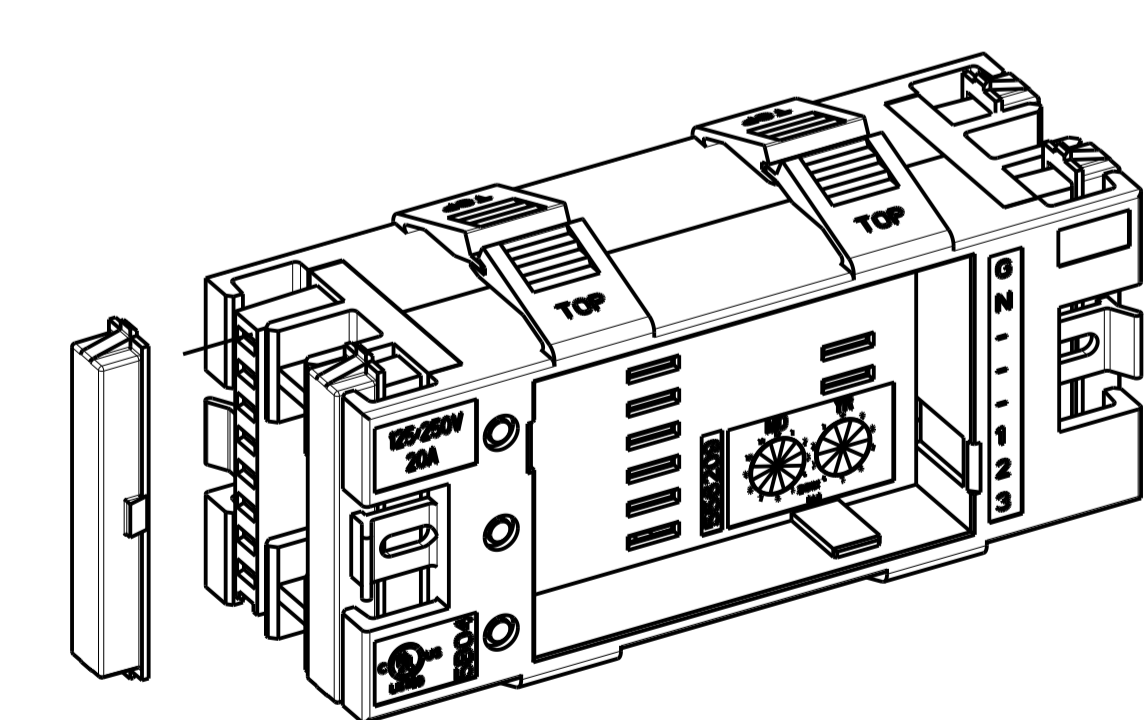
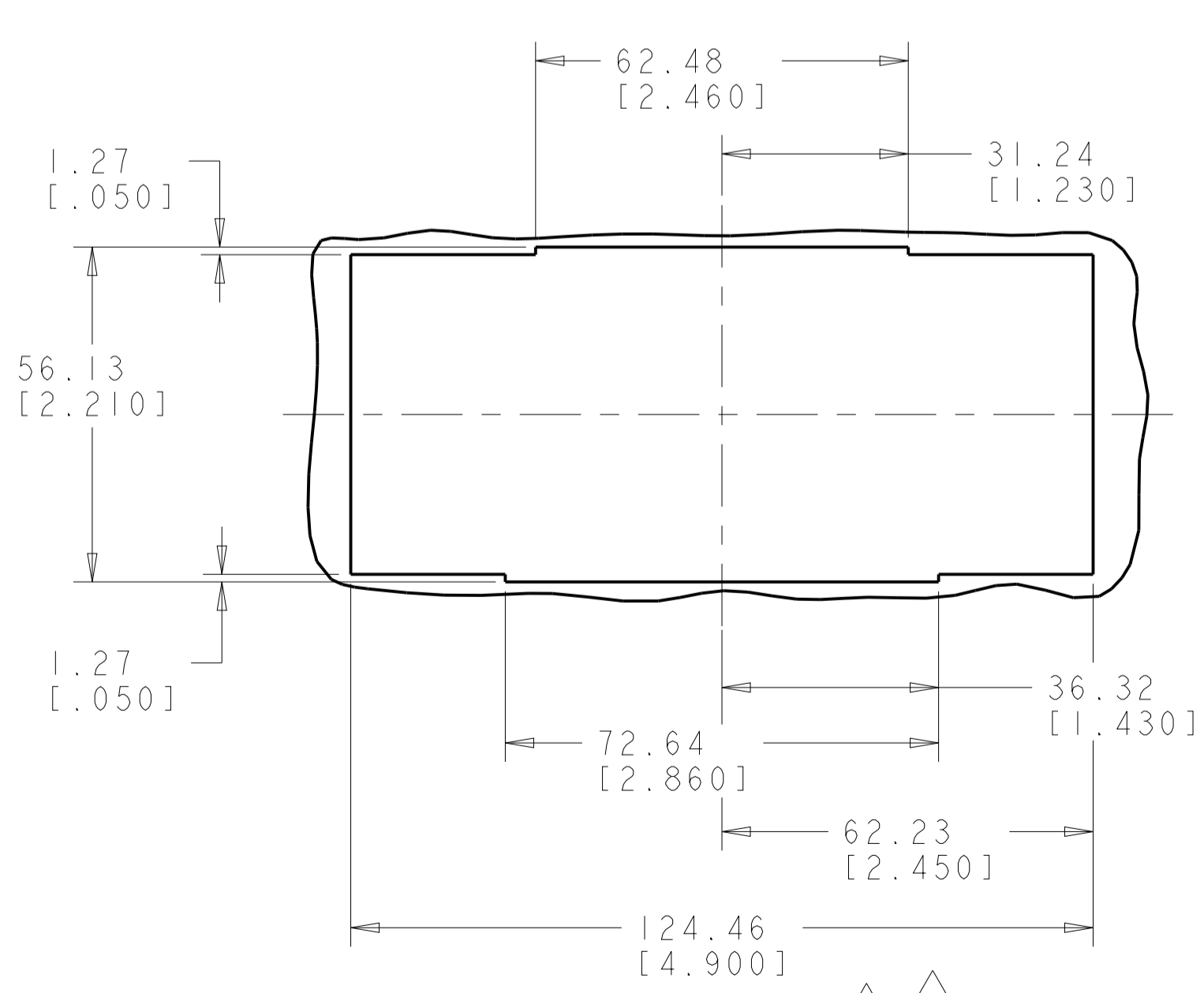
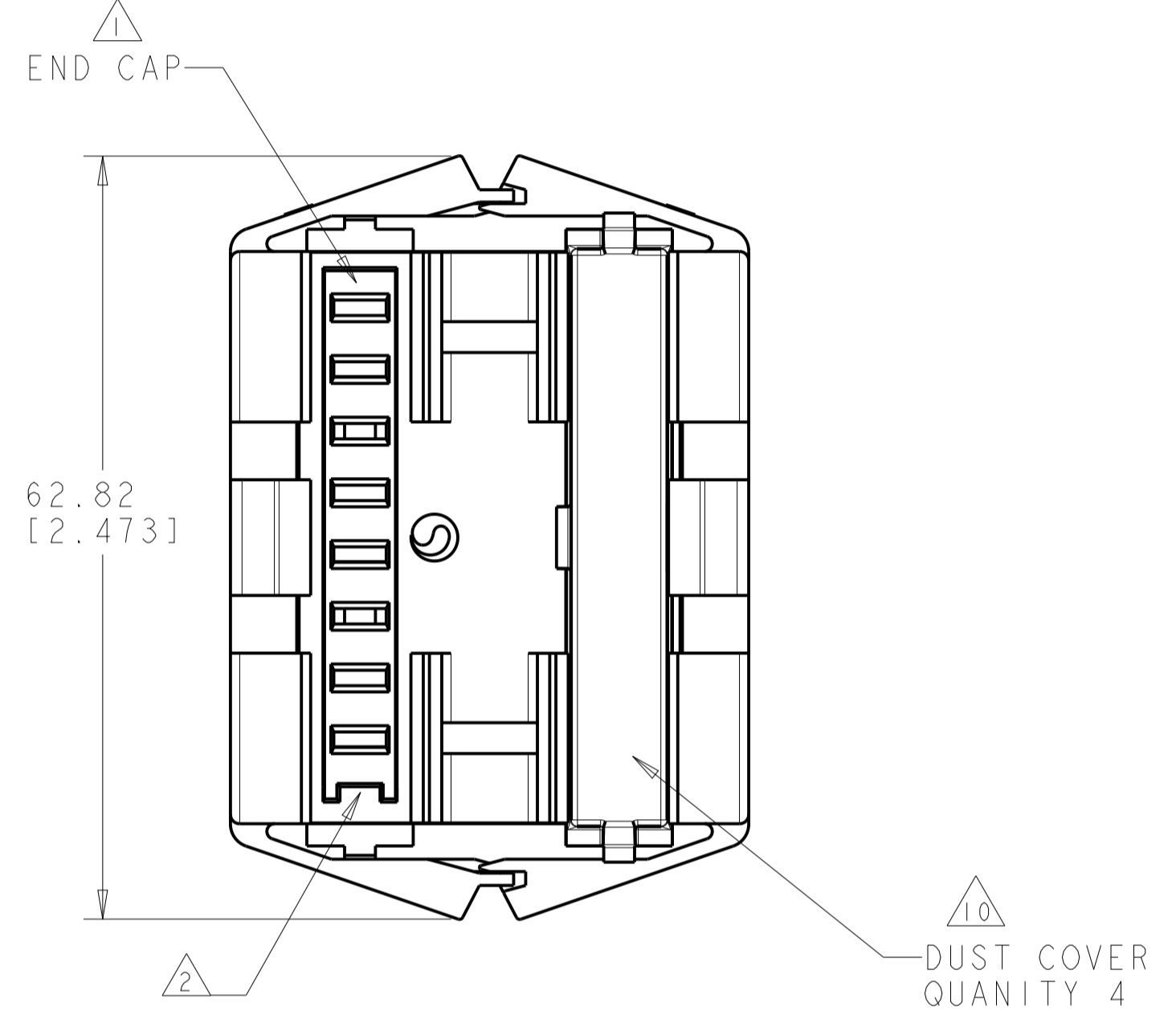
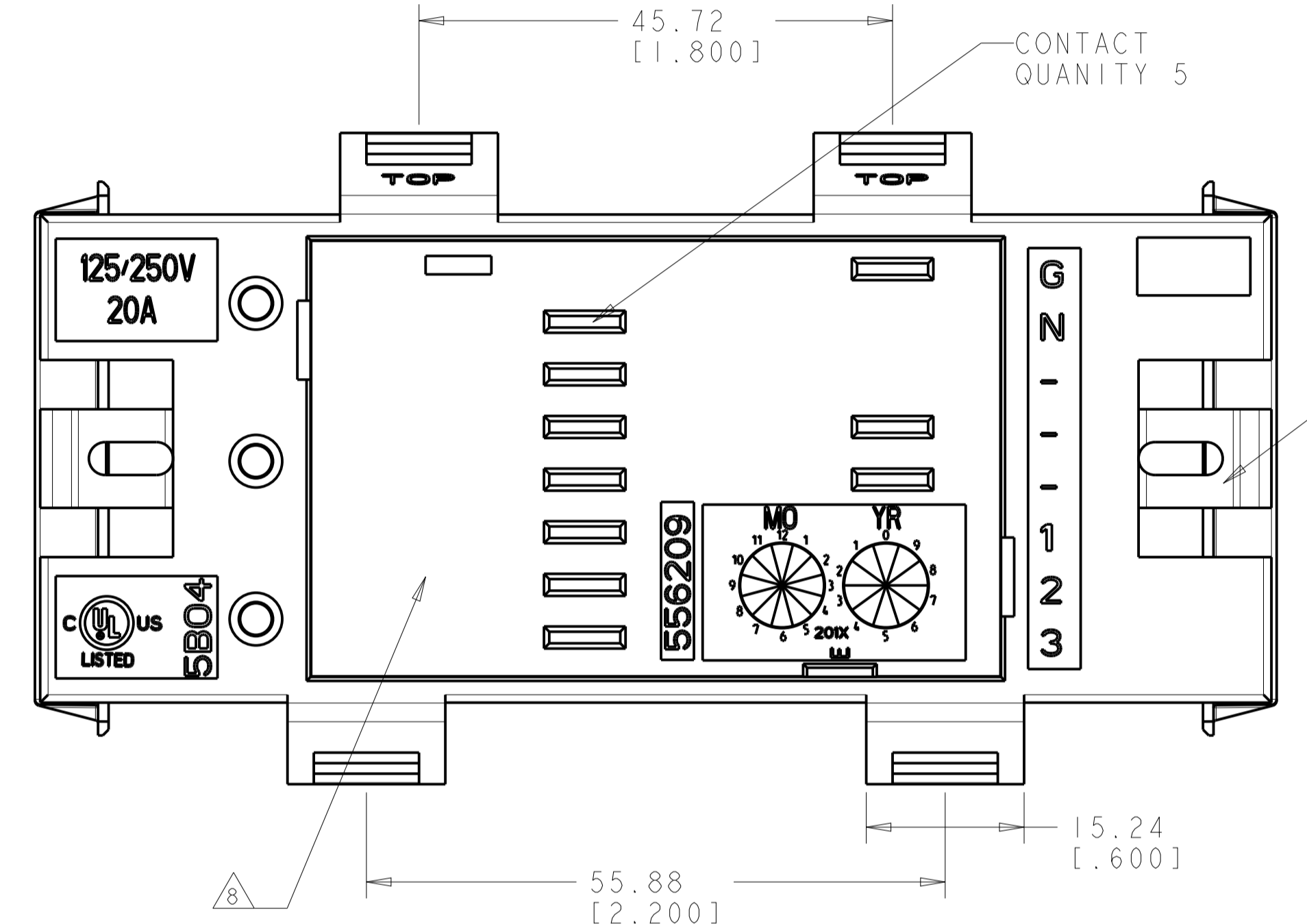
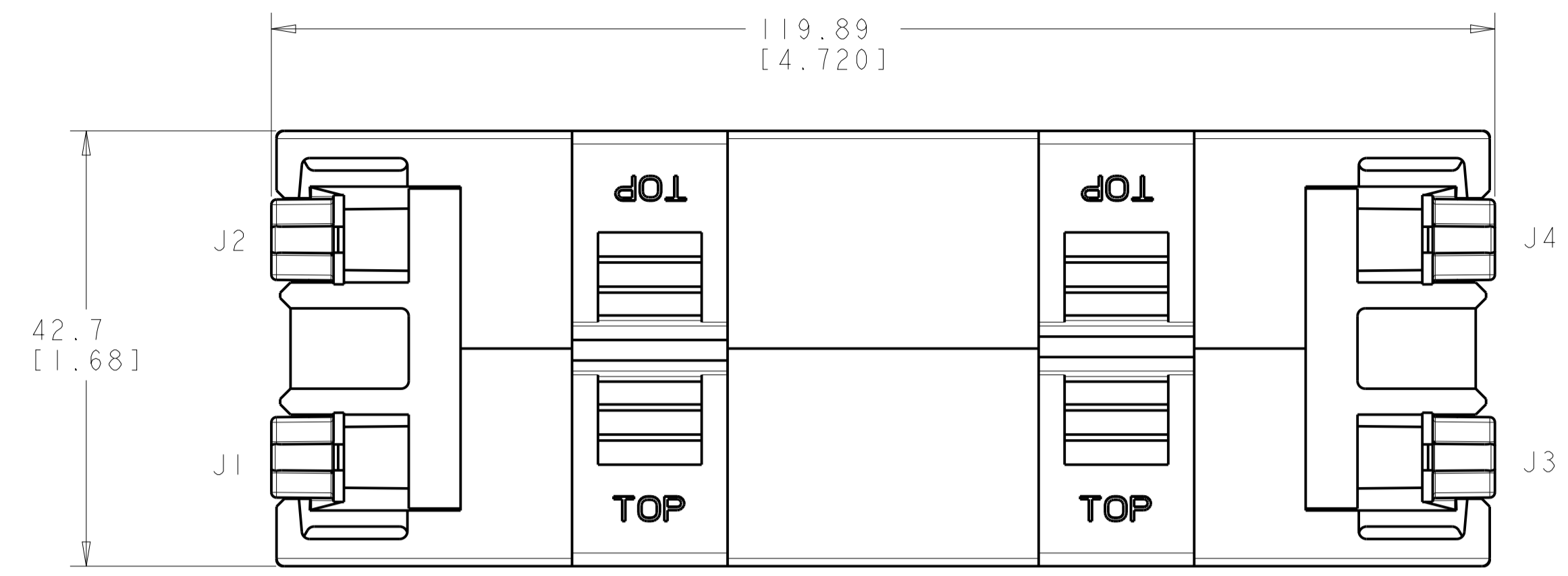


REVISIONS				
REV	LTN	DESCRIPTION	DATE	APVD
G	ECO-14-007817		29MAY2014	JM S.J
H	REV PER ECN 8000018090		13JAN2017	GG AS
J	REV PER ECN 8000021243		23MAR2017	GG AS



- △ MATES WITH POWER CONNECTOR HARNESS ASSEMBLY, PART NUMBER 555888-().
- △ KEYING FEATURE FOR POSITIVE MATING.
- △ POSITIVE LATCHING TO POWER CONNECTOR.
- 4. 125/250 V, 20A RATING FOR RU
- △ MATERIAL: HOUSING - POLYCARBONATE, BLACK, 94V-0 RATED.
END CAP- POLYCARBONATE, SOFT WHT. 94V-0 RATED.
DUST COVER - NYLON 6/6.
CONTACT - COPPER ALLOY, SELECTIVE SILVER PLATED 3.81µm [.000150] MINIMUM THICK.
- △ ALL DIMENSIONS ARE NOMINAL UNLESS OTHERWISE SPECIFIED.
- 7. DIMENSIONS IN BRACKETS ARE IN INCHES.
- △ THIS AREA OF THE JUNCTION BOX MATES WITH AMPINERGY DUPLEX RECEPTACLES.
- △ SUGGESTED PANEL MOUNTING CUT-OUT FOR JUNCTION BOX. ALLOW 12.7 [.500] CLEARANCE TOP AND BOTTOM.
- △ REMOVE DUST COVER, BY GENTLY LIFTING LATCH TO ALLOW CONNECTION OF POWER CONNECTORS.
- △ JUNCTION BOX MOUNTING WILL ACCEPT A 12 THRU 16 GAGE THICK SHEET METAL.
- 12. APPLICATION: IN LINE OR END OF LINE JUNCTION BOX ASSEMBLY. UP TO TWO DUPLEX RECEPTACLES NEMA TYPE 5-15R 125V, 2 POLE, 3 WIRE, 15 AMPERE AND/OR 5-20R 125V, 2 POLE, 3 WIRE, 20 AMPERE RECEPTACLES CAN BE INSTALLED INTO JUNCTION BOX ASSEMBLY. RECEPTACLES CAN BE INDIVIDUALLY REPLACED WITH DIFFERENT LINE RECEPTACLES TO BALANCE LOADS. ASSEMBLY IS DESIGNED TO PROVIDE IN LINE OR END OF LINE DISTRIBUTION OF POWER WHEN USED WITH AMPINERGY-MODULAR WIRING SYSTEM, A MANUFACTURED WIRING SYSTEM.

△ △
 SUGGESTED PANEL CUTOUT
 SCALE 1:1

556209-1
 PART NUMBER

THIS DRAWING IS A CONTROLLED DOCUMENT.		OWN L. SMITH 15DEC2006	COMMSCOPE, INC.	
DIMENSIONS: MM [INCHES]		CHK L. SMITH 15FEB2007	NAME J-BOX ASSEMBLY, 5 WIRE	
TOLERANCES UNLESS OTHERWISE SPECIFIED:		APVD F. LINCOLN 15FEB2007	SIZE CAGE CODE DRAWING NO RESTRICTED TO	
0 PLC ±	1 PLC ±	PRODUCT SPEC	A1 C=556209	
2 PLC ±	3 PLC ±	APPLICATION SPEC	SCALE 2:1 SHEET 1 OF 1 REV J	
4 PLC ±	ANGLES ±	WEIGHT	CUSTOMER DRAWING	
MATERIAL	FINISH			

X-ON Electronics

Largest Supplier of Electrical and Electronic Components

Click to view similar products for [AC Power Plugs & Receptacles](#) category:

Click to view products by [TE Connectivity](#) manufacturer:

Other Similar products are found below :

[739W-X2/03-BACK1](#) [85447L](#) [1301460003](#) [1301520016](#) [1301520008](#) [14W07](#) [15W07](#) [22806](#) [26W47](#) [929662-1](#) [27W75](#) [27W81](#) [962160-1](#)
[29W08MB](#) [29W82](#) [26W](#) [26W76BLK](#) [27W47](#) [27W48](#) [28W](#) [28W81](#) [29W47MB](#) [HDR-E14FG1+](#) [30-9717-25](#) [43305](#) [85266](#) [5262DW](#) [22801](#)
[22804](#) [25W47](#) [701W-15/06](#) [701W-20/27](#) [27T76](#) [29T48](#) [739W-20/XX](#) [1301860536](#) [1301520018](#) [1301520021](#) [1301520020](#) [8210GY](#)
[29W48](#) [3011-06](#) [A52S22A](#) [739W-X2/XX3](#) [26T49](#) [2707](#) [26W47-W](#) [1301450073](#) [RECWALLBOXBA](#) [1301490033](#)