

4

3

2

1

THIS DRAWING IS UNPUBLISHED.

RELEASED FOR PUBLICATION

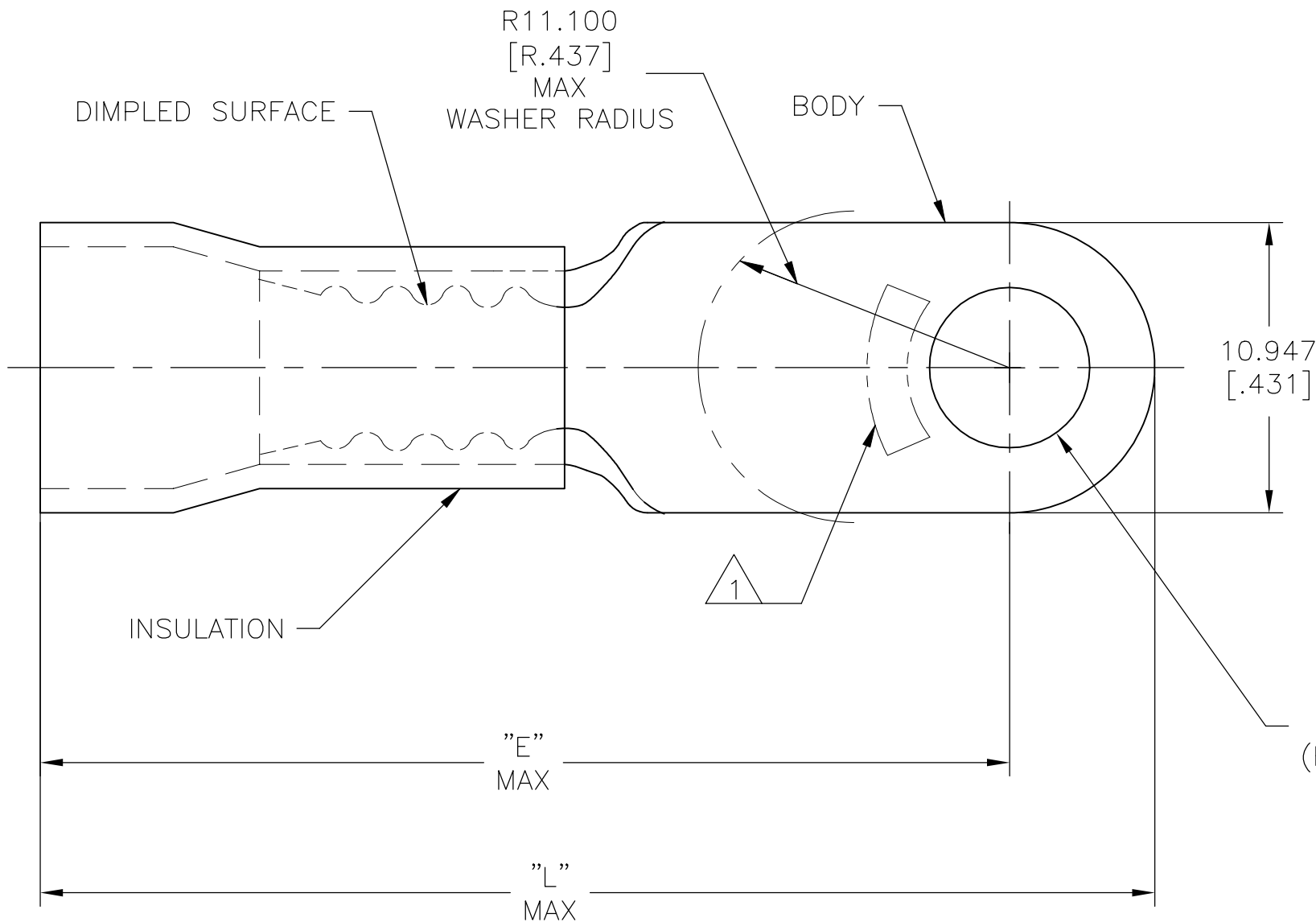
© COPYRIGHT - TE Connectivity Ltd.

ALL RIGHTS RESERVED.

REVISIONS


P	LTR	DESCRIPTION	DATE	DWN	APVD
	H1	REVISED PER ECO-11-002228	11FEB11	HMR	DR
	H2	REVISED PER ECO-17-014338	09APR2018	RS	DR

<b>AMP</b> WIRE RANGE	 FILE E13288	 LR7189 Certified
8 AWG STRANDED	8 AWG STRANDED	8 AWG STRANDED



- 1 STAMP AMP 8\* LOCATE APPROX AS SHOWN
- 2 BODY MATERIAL THK 0.991±0.051 [.039±.002]
- 3 TAPE ITEMS ARE ON 30.480 [1.200] CENTERS
- 4 BODY: COPPER PER ASTM B-152, INSULATION: PVC
- 5 BODY: TIN PLATE PER ASTM B-545 INSULATION COLOR-RED
- 6 NOTE DELETED

9.144 [.360]	34.392 [1.354]	39.649 [1.561]	500	55621-1 ON TAPE	55621-2
			100	LOOSE PIECE	55621-1
WIRE INSULATION OD MAX	"E"	"L"	QTY	PACKAGE TYPE	PART NO

MAX RECOMMENDED OPERATING TEMPERATURE: 105°C [221°F]	THIS DRAWING IS A CONTROLLED DOCUMENT.		DWN S.S. GOULDEN 10-12-93	 TE Connectivity Ltd.	
	VOLTAGE RATING: 600 V MAX	DIMENSIONS: mm [INCHES]	CHK R. HERSEY 10-12-93		
CIRCULAR MIL AREA: 6.64-10.54mm² [13,100-20,800] STRANDED	TOLERANCES UNLESS OTHERWISE SPECIFIED: 0 PLC ± - 1 PLC ± - 2 PLC ± - 3 PLC ± 0.127 [.005] 4 PLC ± - 4 PLC ANGLES ± -	PRODUCT SPEC UL486 A-B	APPLICATION SPEC 114-2161	NAME TERMINAL, RING TONGUE, PLASTI-GRIP, WIRE SIZE: 8 AWG	
MATERIAL 4	FINISH 5	WEIGHT	114-2161	SIZE A3	CAGE CODE 00779
CUSTOMER DRAWING			DRAWING NO C-55621	RESTRICTED TO	REV H2
			SCALE 4:1	SHEET 1 of 1	

## X-ON Electronics

Largest Supplier of Electrical and Electronic Components

*Click to view similar products for [Terminals](#) category:*

*Click to view products by [TE Connectivity](#) manufacturer:*

Other Similar products are found below :

[00-054007-01074-6](#) [00-054007-70206-1](#) [00-054007-70210-8](#) [00-054007-70217-7](#) [00-054007-70226-9](#) [00-054007-70228-3](#) [00-054007-70248-1](#) [00-054007-70256-6](#) [00-054007-70301-3](#) [00-054007-70316-7](#) [00-054007-49560-4](#) [00-054007-70209-2](#) [00-054007-70225-2](#) [00-054007-70227-6](#) [00-054007-70231-3](#) [00-054007-70241-2](#) [00-054007-70242-9](#) [00-054007-70244-3](#) [00-054007-70246-7](#) [00-054007-70263-4](#) [00-054007-70288-7](#) [00-054007-70290-0](#) [00-054007-70300-6](#) [00-054007-70304-4](#) [01-2065-1-0216](#) [01-2900-1-04412](#) [00581P0075](#) [600TS-10](#) [60205-1](#) [604200-1](#) [605601-1](#) [60598-1-CUT-TAPE](#) [61314-6-C](#) [61810-3](#) [61-S](#) [61-SN](#) [626-0194](#) [62-NBM-A](#) [62-SN](#) [62-SP](#) [63-S](#) [640179-1](#) [M55155/059I03](#) [M55155/079C01](#) [M55155/099H02](#) [M55155/109H01](#) [M55155/109H02](#) [M55155/12XH05](#) [M55155/16XH02](#) [M55155/29-5S](#)