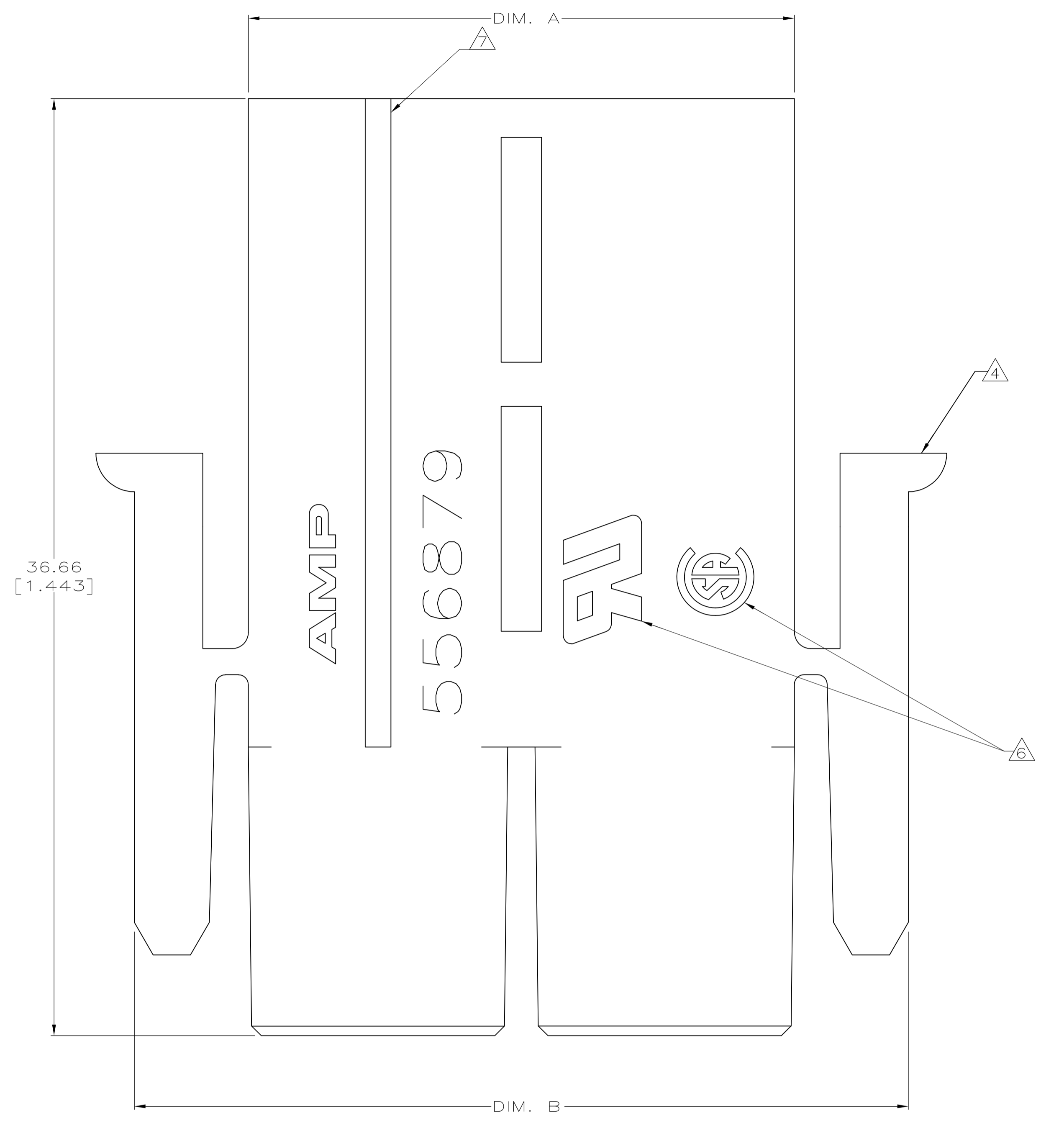
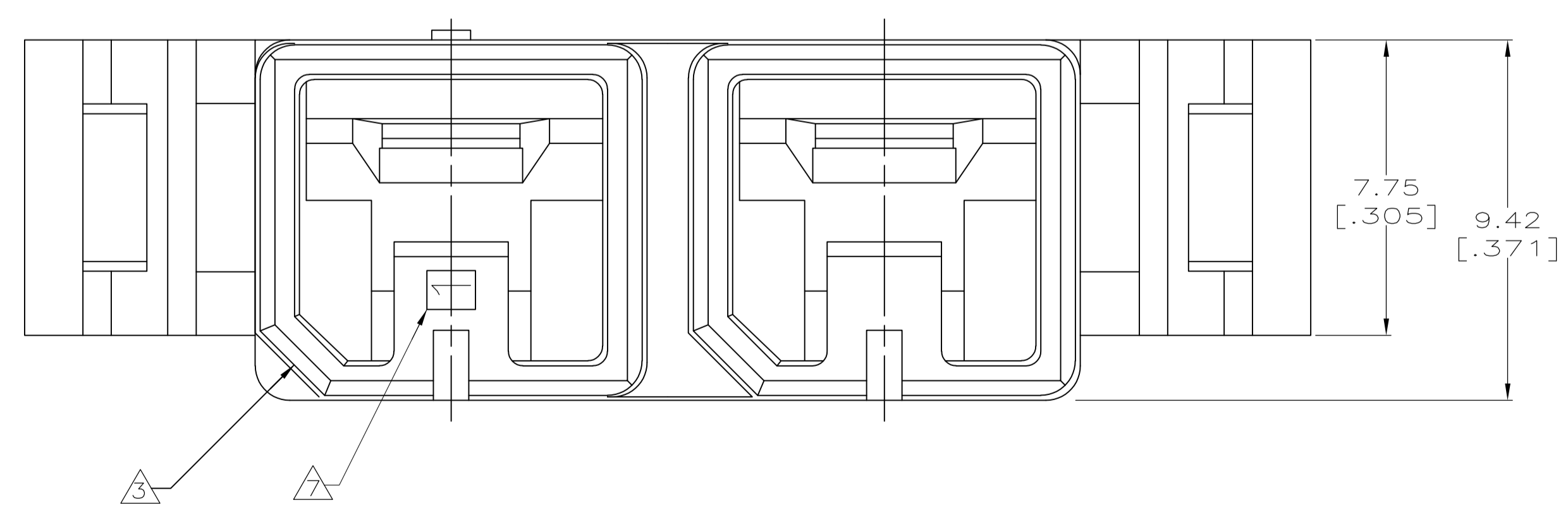


LOC		DIST		REVISIONS			
FT	60	REV	DATE	BY	CHK	APPV	
C1		REVISED PER ECO-11-004587	11MAR11	RK	HMR		



- 1 MATERIAL: POLYCARBONATE, BLACK, 94V-0.
- 2 ALL DIMENSIONS ARE MAXIMUM UNLESS OTHERWISE SPECIFIED.
- 3 POLARIZATION FEATURE TO MATING HOUSING.
- 4 POSITIVE LATCHING OF PLUG HOUSING TO RECEPTACLE HOUSING ASSEMBLY.
- 5. POSITION 1 IS DESIGNED FOR MAKE-FIRST/BREAK-LAST GROUND WHERE NEEDED.
- 6 THESE HOUSINGS ARE UL RECOGNIZED AND CSA CERTIFIED.
- 7 INDICATES POSITION 1.



POSITION	DIM. B	DIM. A	PART NO
8	97.36 [3.833]	88.47 [3.483]	556879-8
7	86.19 [3.393]	77.30 [3.043]	-7
6	75.01 [2.953]	66.12 [2.603]	-6
5	63.83 [2.513]	54.94 [2.163]	-5
4	52.66 [2.073]	43.77 [1.723]	-4
3	41.48 [1.633]	32.59 [1.283]	-3
2	30.31 [1.193]	21.42 [.843]	556879-2

THIS DRAWING IS A CONTROLLED DOCUMENT.

DIMENSIONS: mm [INCHES]	TOLERANCES UNLESS OTHERWISE SPECIFIED:	DIN 5-30-91 D. STRAUSSER	8-23-91 B. FOX	8-26-91 M. MILLER	NAME
0. PLC ± .01	1. PLC ± .01	2. PLC ± .01	3. PLC ± .01	4. PLC ± .01	ANGLES ± .01
MATERIAL	FINISH	SIZE	CAGE CODE	DRAWING NO	RESTRICTED TO
1	-	A1	00779	556879	-
CUSTOMER DRAWING		SCALE	SHEET	REV	
		8:1	1 OF 1	1	C1

STE TE Connectivity  
HOUSING, PLUG, WTB, AMPINNERGY™

## X-ON Electronics

Largest Supplier of Electrical and Electronic Components

*Click to view similar products for [Power to the Board](#) category:*

*Click to view products by [TE Connectivity](#) manufacturer:*

Other Similar products are found below :

[6450171-4](#) [6450552-7](#) [6600323-8](#) [6643429-1](#) [6646040-2](#) [6651939-1](#) [6766604-1](#) [120959-1](#) [1393557-2](#) [1393532-2](#) [1393532-3](#) [1393532-4](#)  
[1393557-1](#) [1600812-5](#) [1-6450861-2](#) [1744132-7](#) [1761122-1](#) [1766250-1](#) [1892109-1](#) [2-6450860-5](#) [2-6450870-0](#) [1-6450161-4](#) [1-6450850-6](#) [1-](#)  
[6450869-6](#) [1645526-2](#) [1-6600130-0](#) [2005243-2](#) [377-0020-11130](#) [TE34-12-16P-F0](#) [51700-10201602AALF](#) [5-6450830-6](#) [5646956-4](#) [377-](#)  
[0080-11131A](#) [4-6450830-9](#) [4-6600333-3](#) [10125416-4050LF](#) [10130248-005LF](#) [6600320-3](#) [3-6450860-5](#) [1888123-2](#) [6450166-1](#) [6643978-1](#)  
[6766605-1](#) [701-15-02109](#) [N11444](#) [6651938-1](#) [6450810-7](#) [46437-1112](#) [1-1589677-8](#) [5646956-5](#)