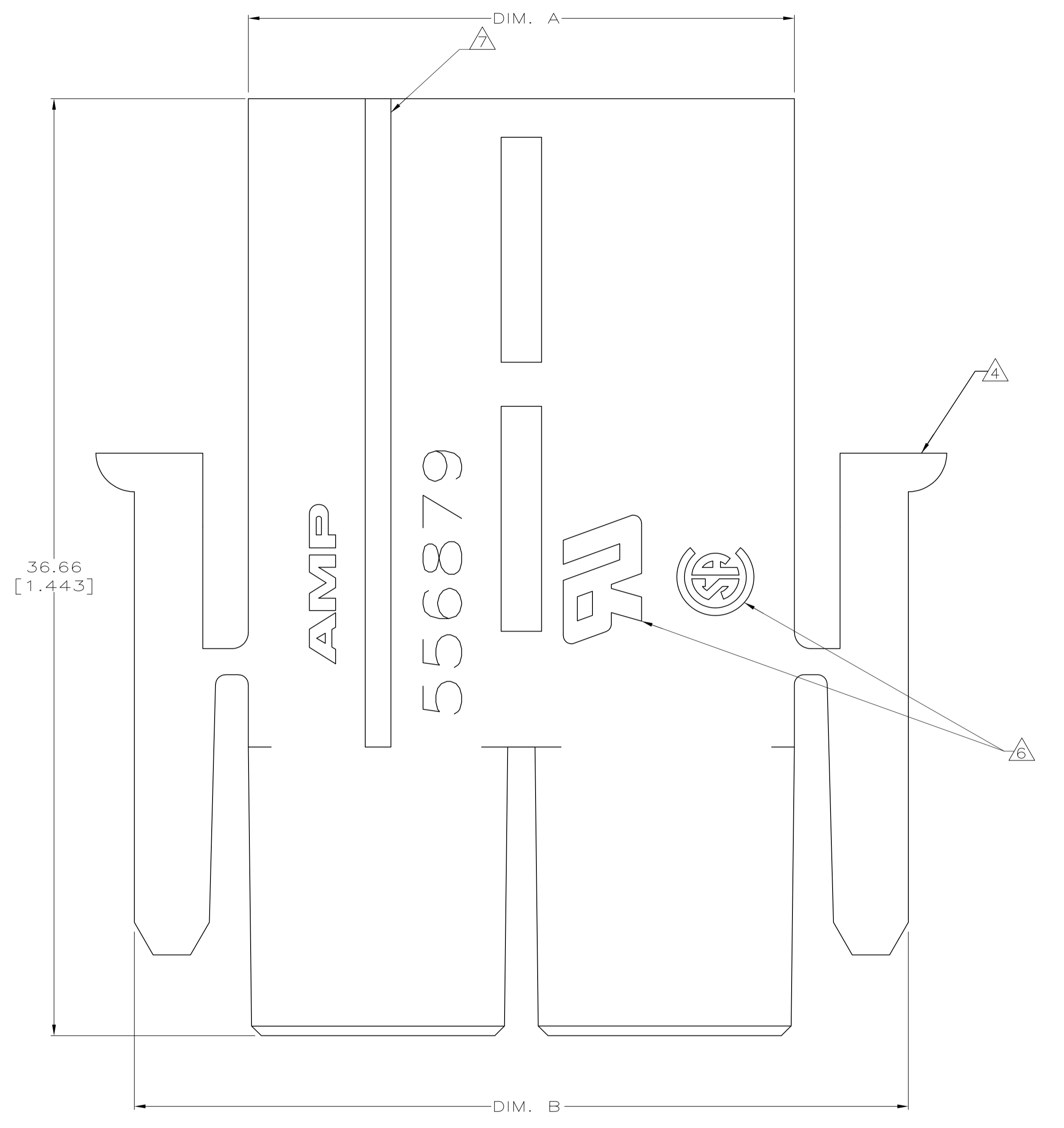
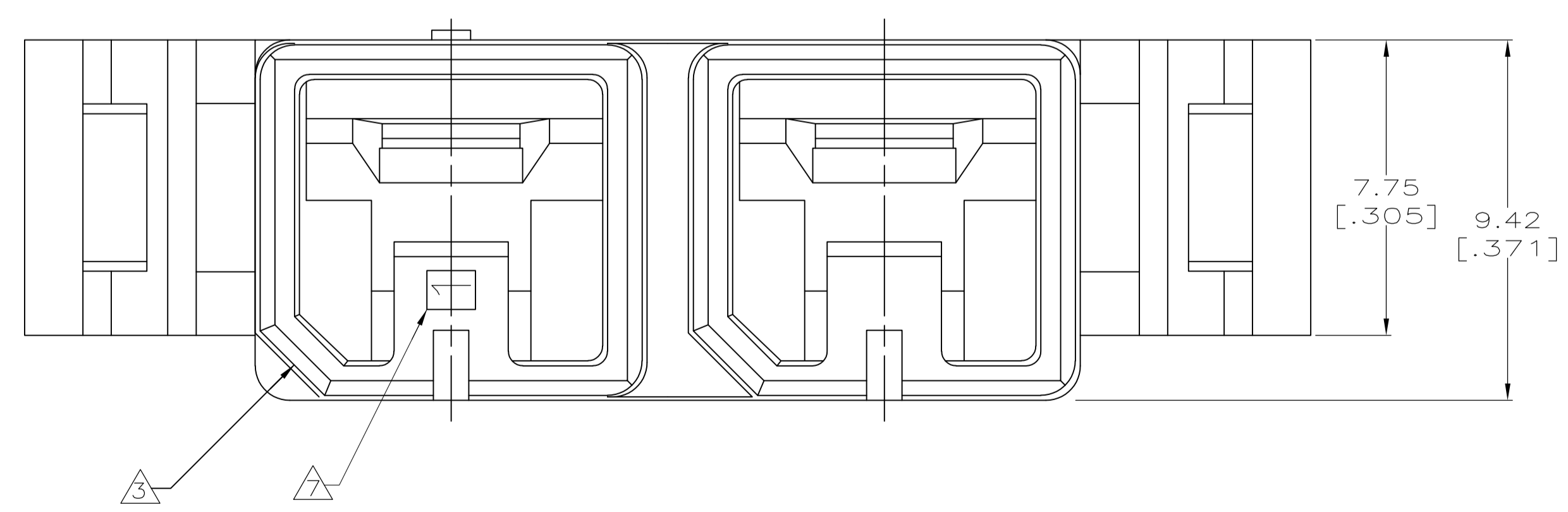


| LOC | | DIST | | REVISIONS | | | |
|-----|----|---------------------------|---------|-----------|-----|------|--|
| FT | 60 | REV | DATE | BY | CHK | APPV | |
| C1 | | REVISED PER ECO-11-004587 | 11MAR11 | RK | HMR | | |



- 1 MATERIAL: POLYCARBONATE, BLACK, 94V-0.
- 2 ALL DIMENSIONS ARE MAXIMUM UNLESS OTHERWISE SPECIFIED.
- 3 POLARIZATION FEATURE TO MATING HOUSING.
- 4 POSITIVE LATCHING OF PLUG HOUSING TO RECEPTACLE HOUSING ASSEMBLY.
- 5. POSITION 1 IS DESIGNED FOR MAKE-FIRST/BREAK-LAST GROUND WHERE NEEDED.
- 6 THESE HOUSINGS ARE UL RECOGNIZED AND CSA CERTIFIED.
- 7 INDICATES POSITION 1.



| POSITION | DIM. B | DIM. A | PART NO |
|----------|---------------|---------------|----------|
| 8 | 97.36 [3.833] | 88.47 [3.483] | 556879-8 |
| 7 | 86.19 [3.393] | 77.30 [3.043] | -7 |
| 6 | 75.01 [2.953] | 66.12 [2.603] | -6 |
| 5 | 63.83 [2.513] | 54.94 [2.163] | -5 |
| 4 | 52.66 [2.073] | 43.77 [1.723] | -4 |
| 3 | 41.48 [1.633] | 32.59 [1.283] | -3 |
| 2 | 30.31 [1.193] | 21.42 [.843] | 556879-2 |

THIS DRAWING IS A CONTROLLED DOCUMENT.

| | | | | | |
|----------------------------|--|-----------------------------|-------------------|----------------------|---------------------|
| DIMENSIONS: mm [INCHES] | TOLERANCES UNLESS OTHERWISE SPECIFIED: | DIN 5-30-91 D. STRAUSSER | 8-23-91 B. FOX | 8-26-91 M. MILLER | NAME |
| 0. PLC ± .05 | 1. PLC ± .05 | APPROVED | | | 108-1349 |
| 2. PLC ± .05 | 3. PLC ± .05 | APPLICATION SPEC | | | 114-6044 |
| 4. PLC ± .05 | ANGLES ± .5 | SIZE | CAGE CODE | DRAWING NO | RESTRICTED TO |
| MATERIAL 1 | FINISH - | WEIGHT - | A1 00779 | C=556879 | - |
| | | CUSTOMER DRAWING | | SCALE 8:1 | SHEET 1 OF 1 REV C1 |

STE TE Connectivity
HOUSING, PLUG, WTB, AMPINNERGY™

X-ON Electronics

Largest Supplier of Electrical and Electronic Components

Click to view similar products for [Power to the Board](#) category:

Click to view products by [TE Connectivity](#) manufacturer:

Other Similar products are found below :

[6450171-4](#) [6450552-7](#) [6600323-8](#) [6643429-1](#) [6646040-2](#) [6651939-1](#) [6766604-1](#) [120959-1](#) [1393557-2](#) [1393532-2](#) [1393532-3](#) [1393532-4](#)
[1393557-1](#) [1600812-5](#) [1-6450861-2](#) [1744132-7](#) [1761122-1](#) [1766250-1](#) [1892109-1](#) [2-6450860-5](#) [2-6450870-0](#) [1-6450161-4](#) [1-6450850-6](#) [1-6450869-6](#) [1645526-2](#) [1-6600130-0](#) [2005243-2](#) [377-0020-11130](#) [TE34-12-16P-F0](#) [5-6450830-6](#) [5646956-4](#) [377-0080-11131A](#) [4-6450830-9](#)
[4-6600333-3](#) [10125416-4050LF](#) [6600320-3](#) [3-6450860-5](#) [1888123-2](#) [6450166-1](#) [6643978-1](#) [6766605-1](#) [701-15-02109](#) [N11444](#) [6651938-1](#)
[6450810-7](#) [46437-1112](#) [1-1589677-8](#) [5646956-5](#) [6450813-2](#) [6450129-4](#)