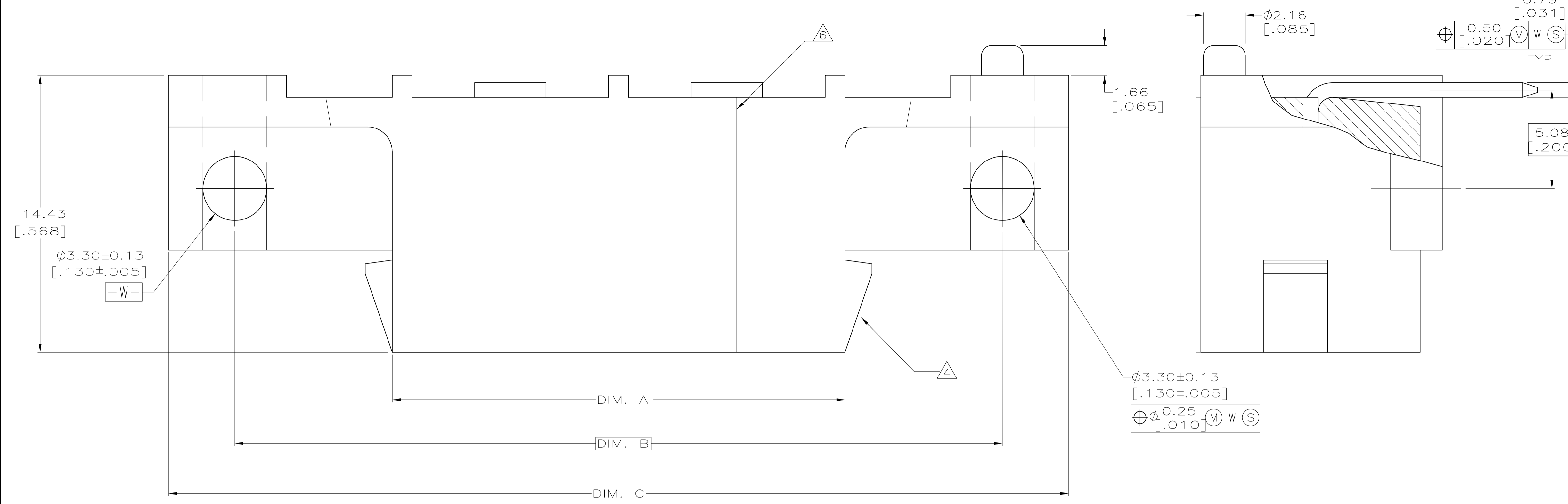
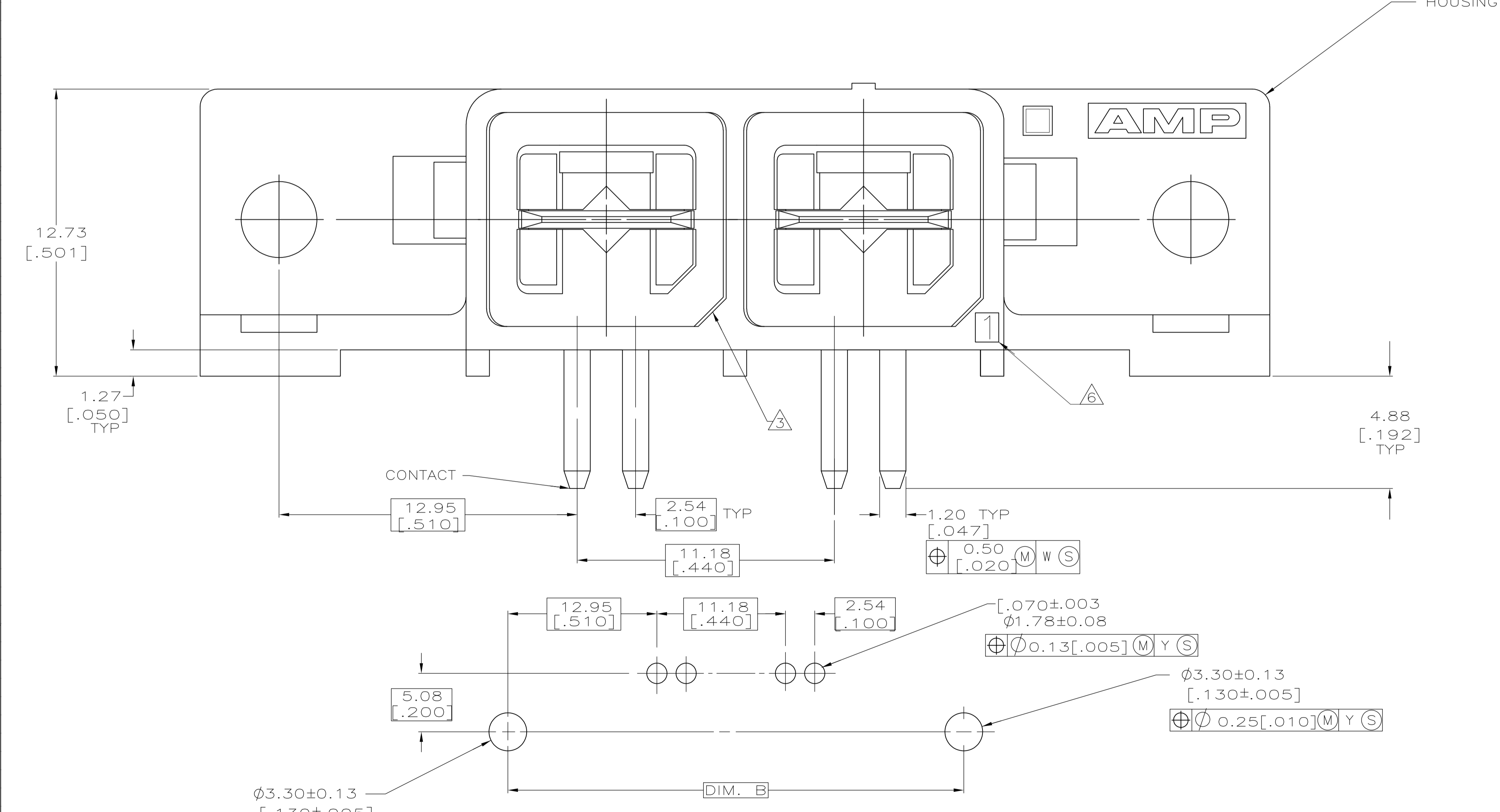


LOC		DIST		REVISIONS			
FT	IN	REV	DATE	BY	CHK	APP	REV
60		D1	11MAR11	RK	HMR		
REVISED PER ECO-11-004820							



- 1 MATERIAL: HOUSING-POLYPHTHALAMINE, BLACK, 94V-0.
CONTACT- 2.54 μm [.000100] MINIMUM TIN PLATED COPPER.
- 2 ALL DIMENSIONS ARE MAXIMUM UNLESS OTHERWISE SPECIFIED.
- 3 POLARIZATION FEATURE TO MATING HOUSING.
- 4 POSITIVE LATCHING OF RECEPTACLE ASSEMBLY TO PLUG HOUSING.
- 5 THESE ASSEMBLIES ARE UL RECOGNIZED AND CSA CERTIFIED.
- 6 POSITION 1 INDICATOR.



SUGGESTED PC BOARD HOLE LAYOUT
SCALE 4:1

POSITION	DIM. C	DIM. B	DIM. A	PART NO
8	113.67 [4.475]	106.68 [4.200]	90.56 [3.565]	556882-8
7	102.49 [4.035]	95.50 [3.760]	79.38 [3.125]	-7
6	91.32 [3.595]	84.33 [3.320]	68.20 [2.685]	-6
5	80.14 [3.155]	73.15 [2.880]	57.03 [2.245]	-5
4	68.97 [2.715]	61.98 [2.440]	45.85 [1.805]	-4
3	57.79 [2.275]	50.80 [2.000]	34.68 [1.365]	-3
2	46.61 [1.835]	39.62 [1.560]	23.50 [.925]	556882-2

THIS DRAWING IS A CONTROLLED DOCUMENT.

DIMENSIONS: INCHES[mm]	TOLERANCES UNLESS OTHERWISE SPECIFIED:	DIN 5-30-91	STRAUSSER
0 PLC ± -	1 PLC ± -	8-23-91	FOX
2 PLC ± -	3 PLC ± -	8-26-91	MILLER
4 PLC ± -	ANGLES ± -		

MATERIAL: POLYPHTHALAMINE, BLACK, 94V-0. FINISH: TIN PLATED COPPER.

APPROVED: M. MILLER	NAME: RECEPTACLE ASSEMBLY, RIGHT ANGLE, WTB, AMPINNERGY™
PRODUCT SPEC: 108-1349	SIZE: A1
APPLICATION SPEC: 114-6044	SCALE: 8:1
WEIGHT: -	SHEET: 1 OF 1
CUSTOMER DRAWING	REV: D1

X-ON Electronics

Largest Supplier of Electrical and Electronic Components

Click to view similar products for [Power to the Board](#) category:

Click to view products by [TE Connectivity](#) manufacturer:

Other Similar products are found below :

[6450171-4](#) [6450552-7](#) [6600323-8](#) [6643429-1](#) [6646040-2](#) [6651939-1](#) [6766604-1](#) [120959-1](#) [1393557-2](#) [1393532-2](#) [1393532-3](#) [1393532-4](#)
[1393557-1](#) [1600812-5](#) [1-6450861-2](#) [1744132-7](#) [1761122-1](#) [1766250-1](#) [1892109-1](#) [2-6450860-5](#) [2-6450870-0](#) [1-6450161-4](#) [1-6450850-6](#) [1-](#)
[6450869-6](#) [1645526-2](#) [1-6600130-0](#) [2005243-2](#) [377-0020-11130](#) [TE34-12-16P-F0](#) [51700-10201602AALF](#) [5-6450830-6](#) [5646956-4](#) [377-](#)
[0080-11131A](#) [4-6450830-9](#) [4-6600333-3](#) [10125416-4050LF](#) [10130248-005LF](#) [6600320-3](#) [3-6450860-5](#) [1888123-2](#) [6450166-1](#) [6643978-1](#)
[6766605-1](#) [701-15-02109](#) [N11444](#) [6651938-1](#) [6450810-7](#) [46437-1112](#) [1-1589677-8](#) [5646956-5](#)