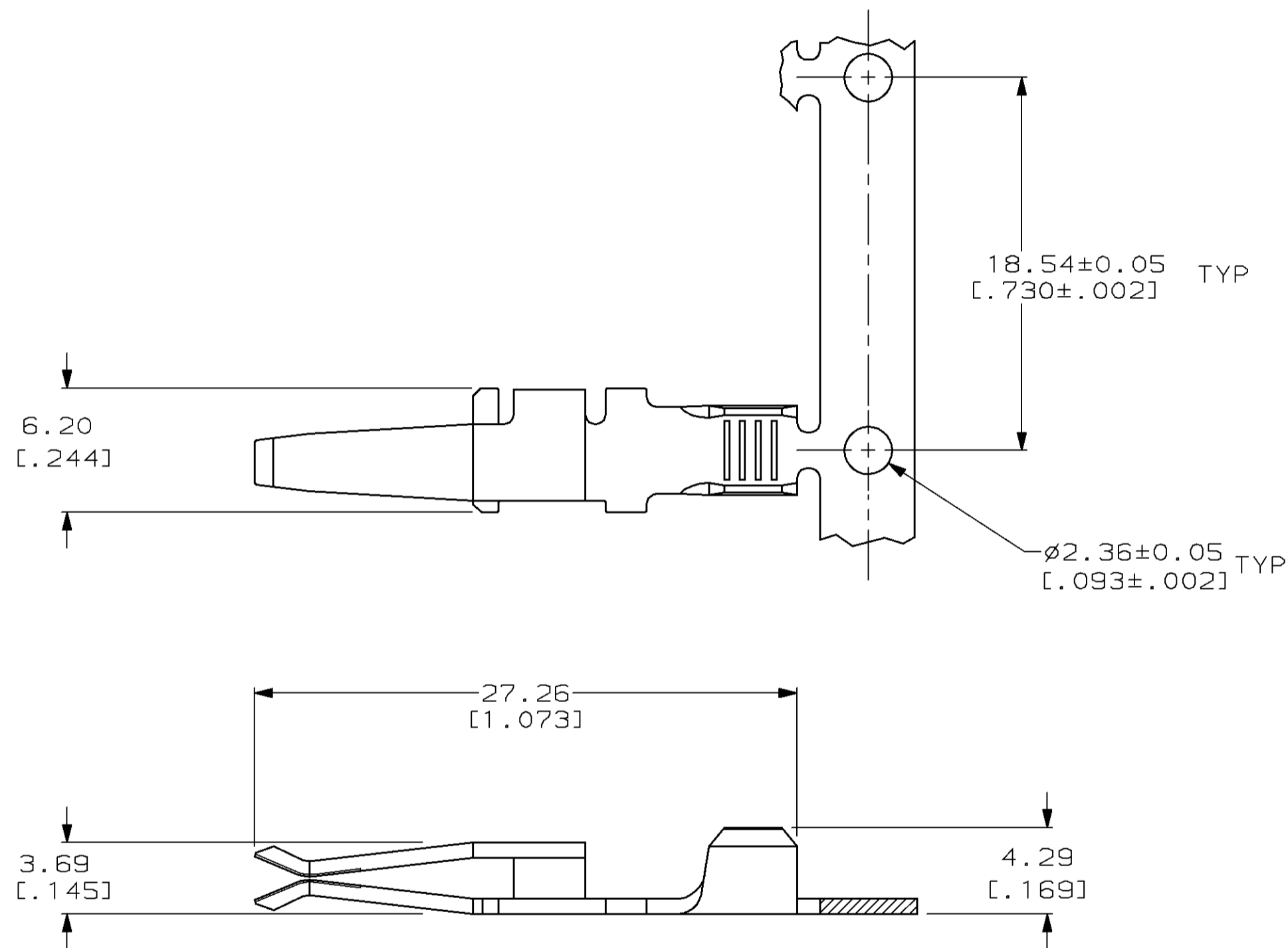


THIS DRAWING IS UNPUBLISHED. RELEASED FOR PUBLICATION
 BY AMP INCORPORATED. ALL RIGHTS RESERVED.

Loc		DIST		REVISIONS			
P	LTR	DESCRIPTION		DATE	DWN	APVD	
	C	REV; EC 0210-0674-95		10-25-95	LM/UTA		
	D	REV PER EC 0320-68-97		06 MAR 97	MB	MM	
	E	REV PER EC 061C-95-98		14 JUL 98	CO	MC	

- 1 ALL DIMENSIONS SHOWN ARE MAXIMUM UNLESS OTHERWISE SPECIFIED.
- 2 MATERIAL: 2.54µm [0.000100] MINIMUM TIN PLATED COPPER ALLOY 0.74-0.79 [0.030±.001] THICK.
- 3. WIRE BARREL ACCEPTS ONE 14, 16 OR 18 AWG STRANDED COPPER WIRE.
- 4 CONTACTS ON REEL SHALL BE CRIMPED USING APPLICATOR TOOL PN 567403.
- 5 LOOSE PIECE CONTACTS SHALL BE CRIMPED USING TOOLS AND DIE SETS LISTED BELOW.
 HAND TOOL: AMP PART NO. 69710
 PNEUMATIC TOOL: AMP PART NO. 69365
 DIE SET 14 AWG: AMP PART NO. 58492-1
 DIE SET 16-18 AWG: AMP PART NO. 58493-1



REEL 4	556883-2
LOOSE PIECE 5	556883-1
DESCRIPTION	PART NO

<small>THIS DRAWING IS A CONTROLLED DOCUMENT FOR AMP INCORPORATED. IT IS SUBJECT TO CHANGE AND THE CONTROLLING ENGINEERING ORGANIZATION SHOULD BE CONTACTED FOR THE LATEST REVISION.</small>		DWN 5-29-91 D. STRAUSSER CHK 8-23-91 B. FOX APVD 8-26-91 M. MILLER		AMP AMP Incorporated Harrisburg, PA 17105-3608	
DIMENSIONS: mm [INCHES]		TOLERANCES UNLESS OTHERWISE SPECIFIED: 0 PLC ± 1 PLC ± 2 PLC ± 3 PLC ± 4 PLC ± ANGLES ± FINISH ±		NAME CONTACT, DUAL BEAM, 14-18 AWG, WTB, AMPINNERGY™	
		1		PRODUCT SPEC 108-1349	
MATERIAL 2		2		APPLICATION SPEC 114-6044	
		WEIGHT -		SIZE A2 CAGE CODE 00779 DRAWING NO C-556883	
CUSTOMER DRAWING				SCALE 4:1 SHEET 1 OF 1 REV E	

556883

0

A

X-ON Electronics

Largest Supplier of Electrical and Electronic Components

Click to view similar products for [Power to the Board](#) category:

Click to view products by [TE Connectivity](#) manufacturer:

Other Similar products are found below :

[6450171-4](#) [6450552-7](#) [6600323-8](#) [6643429-1](#) [6646040-2](#) [6651939-1](#) [6766604-1](#) [120959-1](#) [1393557-2](#) [1393532-2](#) [1393532-3](#) [1393532-4](#)
[1393557-1](#) [1600812-5](#) [1-6450861-2](#) [1744132-7](#) [1761122-1](#) [1766250-1](#) [1892109-1](#) [2-6450860-5](#) [2-6450870-0](#) [1-6450161-4](#) [1-6450850-6](#) [1-6450869-6](#) [1645526-2](#) [1-6600130-0](#) [2005243-2](#) [377-0020-11130](#) [TE34-12-16P-F0](#) [5-6450830-6](#) [5646956-4](#) [377-0080-11131A](#) [4-6450830-9](#)
[4-6600333-3](#) [10125416-4050LF](#) [6600320-3](#) [3-6450860-5](#) [1888123-2](#) [6450166-1](#) [6643978-1](#) [6766605-1](#) [701-15-02109](#) [N11444](#) [6651938-1](#)
[6450810-7](#) [46437-1112](#) [1-1589677-8](#) [5646956-5](#) [6450813-2](#) [6450129-4](#)