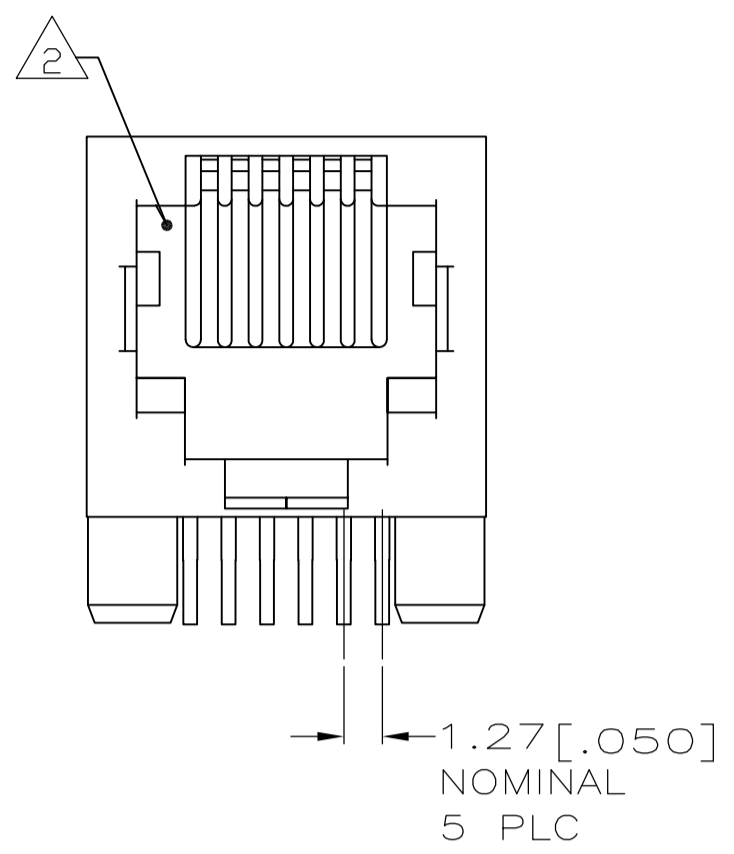
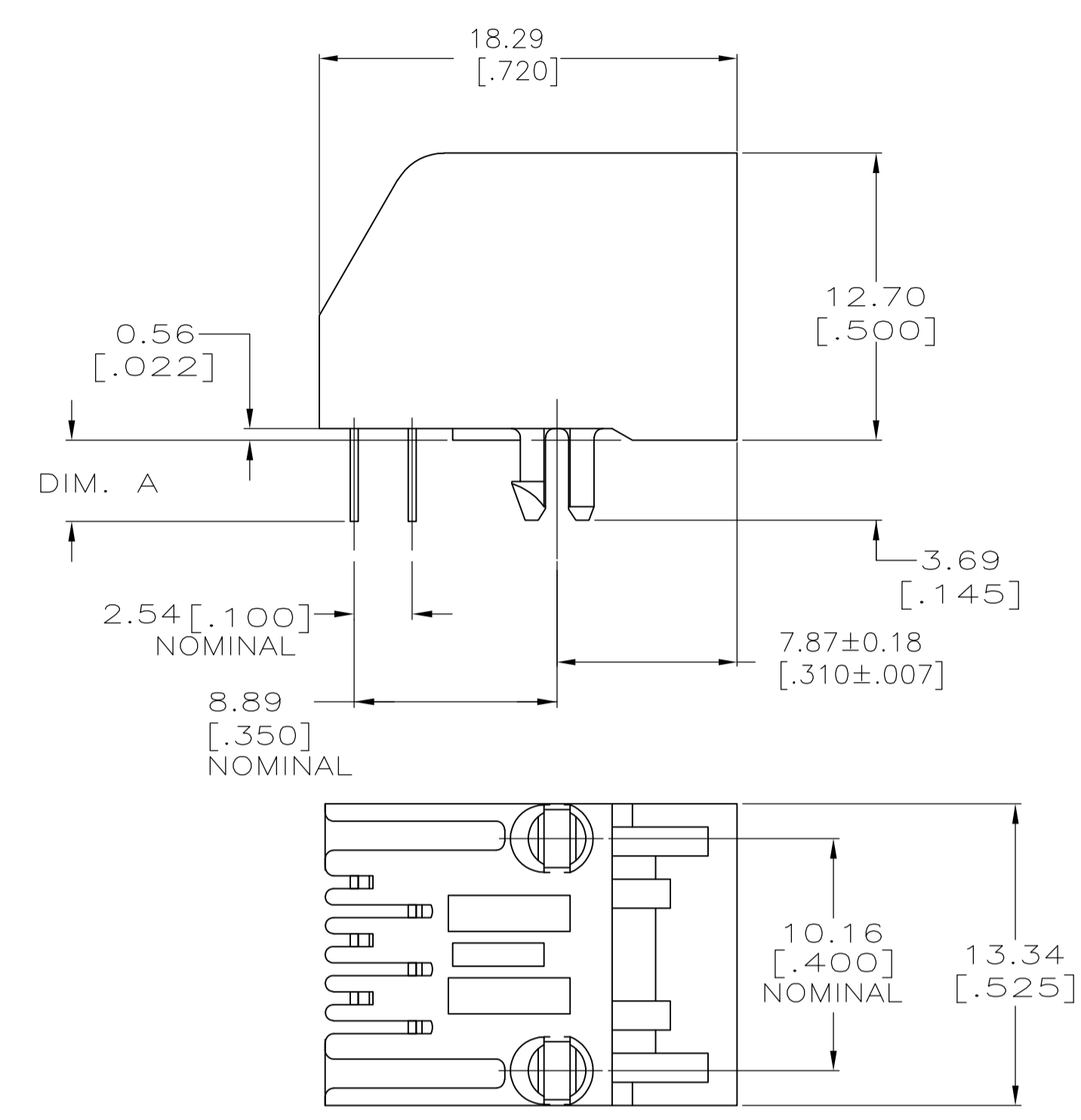
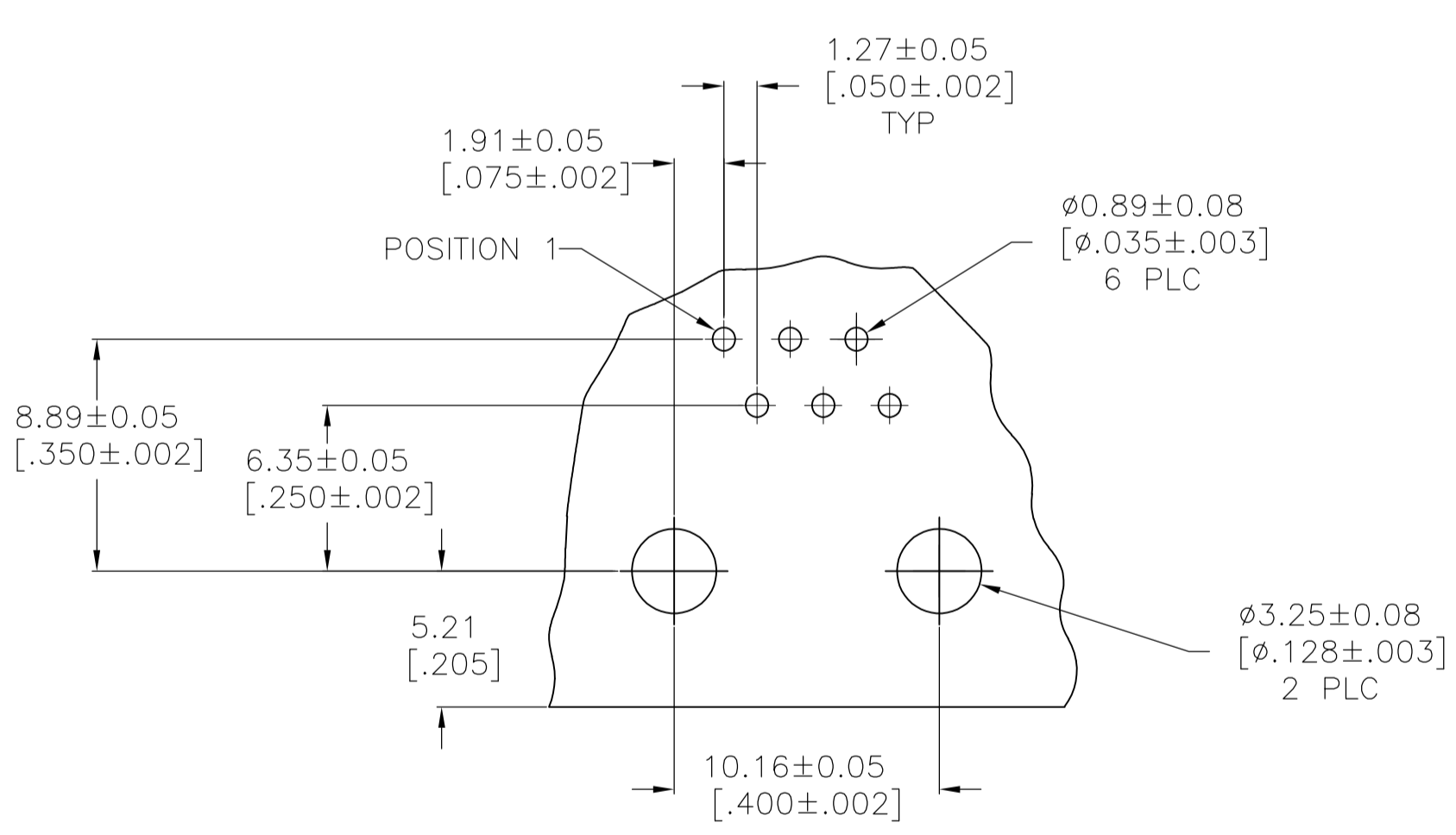
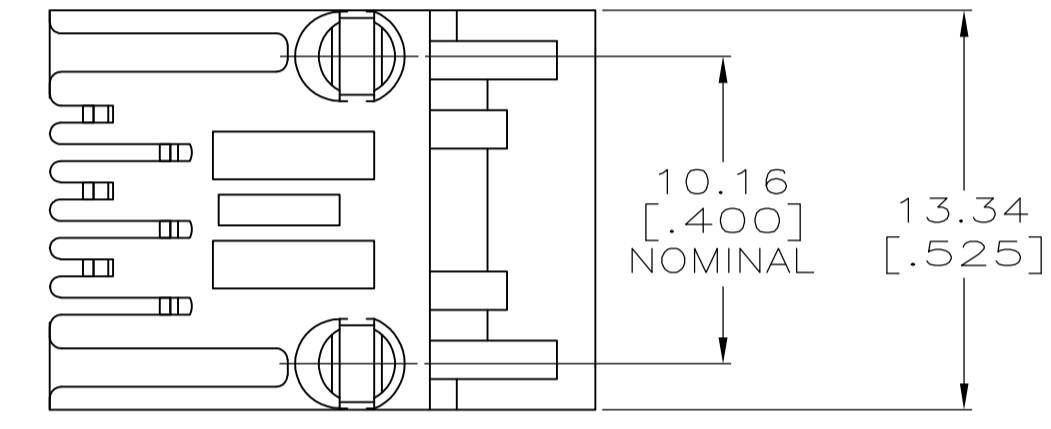


LOC		DIST		REVISIONS			
AA	00	REV	DESCRIPTION	DATE	BY	CHK	APPV
B	ECO-07-019669			27AUG2007	LAM	PR	
B1	ECO-15-013597			10SEP2015	AD	SH	



- 1 MATERIAL: HOUSING - HTN MOLDING COMPOUND, 94V-0 RATED, COLOR: BLACK
 TERMINAL - 0.36[.014] THICK PHOSPHOROUS-BRONZE PLATED WITH 1.27 μ m[.000050] MINIMUM THICK GOLD IN LOCALIZED GOLD PLATE AREA AND 3.81 μ m[.000150] MINIMUM THICK MATTE TIN IN SOLDER AREA OVER 1.27 μ m[.000050] MINIMUM THICK NICKEL UNDERPLATE.
- 2 JACK CAVITY CONFORMS TO FCC RULES AND REGULATIONS PART 68, SUBPART F.
3. DIMENSIONS ARE MAXIMUM UNLESS OTHERWISE SPECIFIED.
- 4 BULK PACKAGED IN A TRAY.



RECOMMENDED PRINTED CIRCUIT BOARD COMPONENT SIDE

2.60±0.30 [.102±.01]	5569026-2
3.60±0.3 [.140±.01]	5569026-1
DIM.A	PART NO

4	5569026-2
4	5569026-1
PACKAGED	PART NO

THIS DRAWING IS A CONTROLLED DOCUMENT.		DIN: A. FERNANDEZ-DICKS 10JUN2005 CHK: J. WESTMAN 10JUN2005 APVD: S. FLICKINGER 10JUN2005 NAME: Tyco Electronics Corporation, Harrisburg, PA 17105-3608	
DIMENSIONS: mm [INCHES] TOLERANCES UNLESS OTHERWISE SPECIFIED: 0 PLC ± - 1 PLC ± - 2 PLC ± - 3 PLC ± - 4 PLC ± - ANGLES ± ± -		PRODUCT SPEC: 108-1163 APPLICATION SPEC: 114-2048 SIZE: A1 CAGE CODE: 00779 DRAWING NO: 5569026 RESTRICTED TO: -	
MATERIAL: SEE NOTE 1		WEIGHT: - CUSTOMER DRAWING: - SCALE: 4:1 SHEET: 1 OF 1 REV: B1	

X-ON Electronics

Largest Supplier of Electrical and Electronic Components

Click to view similar products for [Modular Connectors / Ethernet Connectors](#) category:

Click to view products by [TE Connectivity](#) manufacturer:

Other Similar products are found below :

[8949-H88/06BLKA/SN](#) [74441-0010/BKN](#) [MP1010RX-1000](#) [MP44RX-1000](#) [PHJ-4P4C-1-V-4](#) [PHP-6P6C-5](#) [GAX-3-66](#) [GAX-8-62](#) [GDCX-PA-66-50](#) [GDCX-PN-64](#) [GDCX-PN-66](#) [GDCX-PN-66-50](#) [GDLX-A-66](#) [GDLX-N-66](#) [GDLX-S-66](#) [GDLX-S-88K](#) [GDTX-S-88-50](#) [GDX-PA-1010](#) [GLX-N-1010M-BLK](#) [GLX-S-88M-BLK](#) [GMX-N-1010](#) [GMX-S-1010](#) [GMX-S-66](#) [GMX-SMT4-N-88](#) [GPX-2-64](#) [GSGX-N-2-88](#) [GSGX-N-4-88](#) [GSX-NS2-88-3.05](#) [GSX-NS2-88-3.05-50](#) [GSX-NS-88-3.05-50](#) [PT-108A-8C-UL](#) [PT-J951-8C](#) [PTS-J531-8CS-50UL](#) [1-1775629-2](#) [A-2014-0-4](#) [GWLX-S-88-GR](#) [GWLX-S9-88-YG](#) [DC-1021-8-WH-6](#) [1300530003](#) [1324640-4](#) [RJ11FTVC2G](#) [RJ11FTVC2N](#) [RJFTVX2SA1G](#) [132764-001](#) [1413235](#) [MP88X-1000](#) [MPS88RX-5000](#) [E5288-S000K3-L](#) [E5908-15A242-L](#) [155302-001](#)