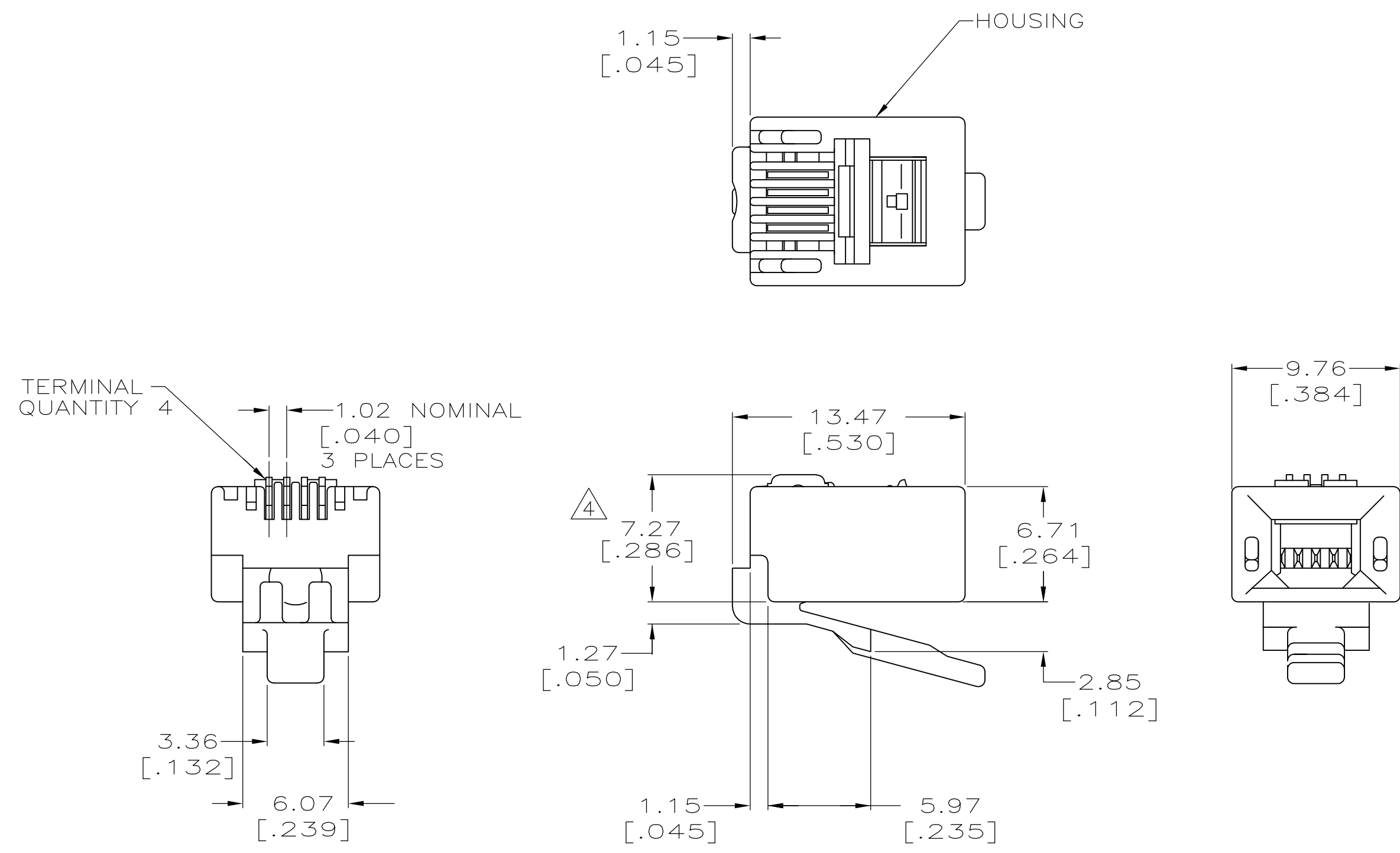


THIS DRAWING IS UNPUBLISHED. RELEASED FOR PUBLICATION  
 © COPYRIGHT - By - ALL RIGHTS RESERVED.

LOC	DIST	REVISIONS					
HM	00	P	LTR	DESCRIPTION	DATE	DWN	APVD
		D		REV ECO-14-011315	25JUL2014	GG	LS



- 1. DIMENSIONS ARE MAXIMUM UNLESS OTHERWISE SPECIFIED.
- 2. MATERIAL: HOUSING- POLYCARBONATE, CLEAR  
 TERMINAL- .36 [.014] THICK PHOSPHOR BRONZE PLATED WITH .178μm [.000007] THICK GOLD IN LOCALIZED PLATE AREA OVER .762μm [.000030] THICK PALLADIUM NICKEL IN LOCALIZED PLATE AREA OVER 2.54μm [.000100] THICK NICKEL ON ENTIRE CONTACT.
- 3. PLUG WILL ACCEPT 24 OR 26 AWG SOLID WIRE HAVING A MAXIMUM INSULATION DIAMETER OF 0.99 [.039] AND A MAXIMUM DIAMETER ROUND CABLE JACKET OF 2.79 [.110].
- 4. TERMINATED DIMENSION 6.15 [.242] MAXIMUM.
- 6. 100 ASSEMBLIES PER PACKAGE.

△	5-569030-3
PACKAGED	PART NO.

THIS DRAWING IS A CONTROLLED DOCUMENT.		DWN	L. HALL	29FEB2008		TE Connectivity		
DIMENSIONS: INCHES		CHK	B. MCNEILL	29FEB2008		NAME		
TOLERANCES UNLESS OTHERWISE SPECIFIED:		APVD	B. MCNEILL	29FEB2008		PRODUCT SPEC		
0 PLC ± - △ 1 PLC ± - △ 2 PLC ± - △ 3 PLC ± - △ 4 PLC ± - △ ANGLES ± - △ FINISH - △		APPLICATION SPEC		108-1163				
MATERIAL - △		WEIGHT -		114-6016		SIZE	A2	
CUSTOMER DRAWING		SCALE		4:1		CAGE CODE	00779	
		DRAWING NO		C=569030		DRAWING NO	569030	
		RESTRICTED TO		-		SHEET	1 of 1	
		REV		D				

## X-ON Electronics

Largest Supplier of Electrical and Electronic Components

*Click to view similar products for [Modular Connectors / Ethernet Connectors](#) category:*

*Click to view products by [TE Connectivity](#) manufacturer:*

Other Similar products are found below :

[8949-H88/06BLKA/SN](#) [74441-0010/BKN](#) [MP1010RX-1000](#) [MP44RX-1000](#) [PHJ-4P4C-1-V-4](#) [PHP-6P6C-5](#) [GAX-3-66](#) [GAX-8-62](#) [GDCX-PA-66-50](#) [GDCX-PN-64](#) [GDCX-PN-66](#) [GDCX-PN-66-50](#) [GDLX-A-66](#) [GDLX-N-66](#) [GDLX-S-66](#) [GDLX-S-88K](#) [GDTX-S-88-50](#) [GDX-PA-1010](#) [GLX-N-1010M-BLK](#) [GLX-S-88M-BLK](#) [GMX-N-1010](#) [GMX-S-1010](#) [GMX-S-66](#) [GMX-SMT4-N-88](#) [GPX-2-64](#) [GSGX-N-2-88](#) [GSGX-N-4-88](#) [GSX-NS2-88-3.05](#) [GSX-NS2-88-3.05-50](#) [GSX-NS-88-3.05-50](#) [PT-108A-8C-UL](#) [PT-J951-8C](#) [PTS-J531-8CS-50UL](#) [1-1775629-2](#) [A-2014-0-4](#) [GWLX-S-88-GR](#) [GWLX-S9-88-YG](#) [DC-1021-8-WH-6](#) [1300530003](#) [1324640-4](#) [RJ11FTVC2G](#) [RJ11FTVC2N](#) [RJFTVX2SA1G](#) [132764-001](#) [1413235](#) [MP88X-1000](#) [MPS88RX-5000](#) [E5288-S000K3-L](#) [E5908-15A242-L](#) [155302-001](#)