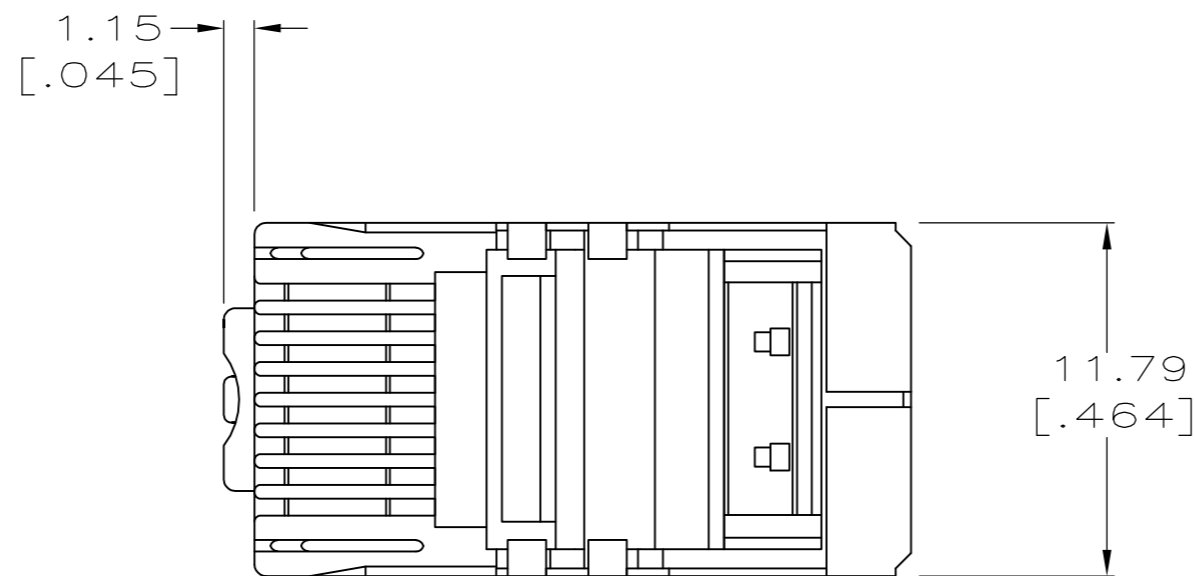


THIS DRAWING IS UNPUBLISHED. RELEASED FOR PUBLICATION  
 © COPYRIGHT - By - ALL RIGHTS RESERVED.

LOC		DIST		REVISIONS			
P	LTR	DESCRIPTION		DATE	DWN	APVD	
HM	00	G		REV PER ECO-14-004548	26MAR2014	GG	JG



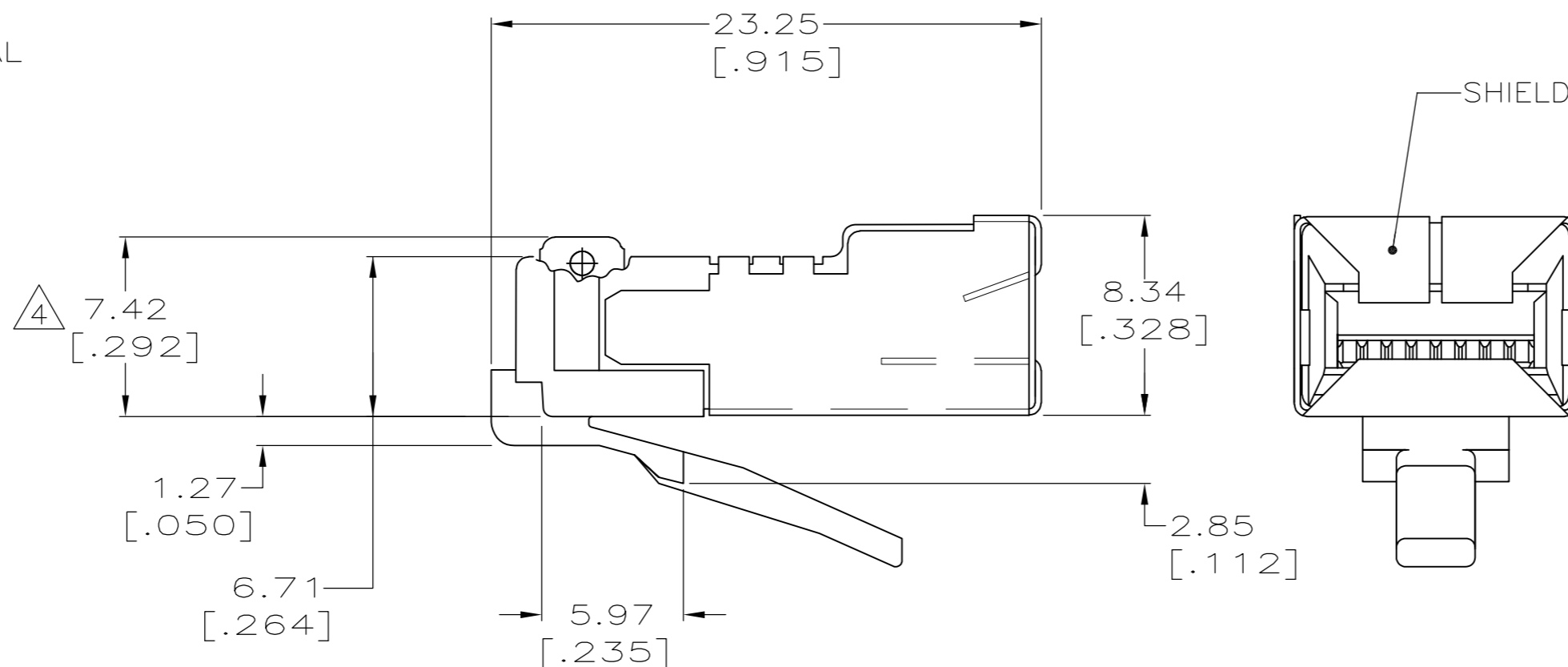
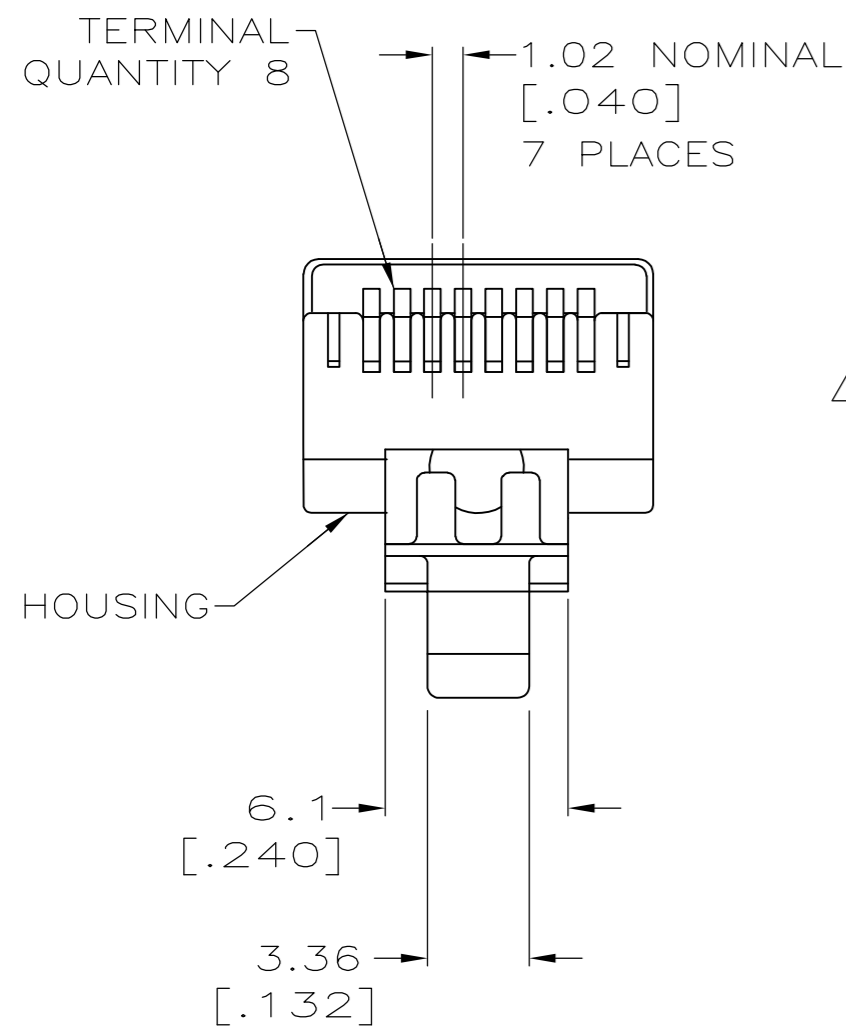
- ⚠ DIMENSIONS ARE MAXIMUM UNLESS OTHERWISE SPECIFIED.
- ⚠ MATERIAL: HOUSING - POLYCARBONATE, CLEAR  
 TERMINAL - .36 [.014] THICK PHOSPHOR BRONZE PLATED WITH .178 $\mu$ m[.000007] THICK GOLD IN LOCALIZED PLATE AREA, OVER .762 $\mu$ m[.000030] THICK PALLADIUM NICKEL IN LOCALIZED PLATE AREA OVER 2.54 $\mu$ m[.000100] THICK NICKEL ON ENTIRE CONTACT.  
 SHIELD - COPPER ALLOY WITH 1.27 $\mu$ m [.000050] MINIMUM SEMI-BRIGHT (SATIN) NICKEL.

3. PLUG WILL ACCEPT 24 TO 28 AWG STRANDED WIRE, 0.74-0.99 [.029-.039] DIAMETER, WITH A 2.80 X 9.02 [.110 X .355] MAXIMUM JACKET.

⚠ TERMINATED DIMENSION 6.15 [.242] MAXIMUM.

⚠ 500 ASSEMBLIES PER PACKAGE.

⚠ 100 ASSEMBLIES PER PACKAGE.



⚠ 6	5-569542-3
⚠ 5	5-569542-2
PACKAGED	PART NUMBER

THIS DRAWING IS A CONTROLLED DOCUMENT.		DWN	G. GARRETT	10-10-95		TE Connectivity				
DIMENSIONS: mm [INCHES]		CHK	C. WHITT	10-30-95		MODULAR PLUG ASSEMBLY, 8 POSITION, SHIELDED, FLAT OVAL CABLE, STRANDED WIRE				
TOLERANCES UNLESS OTHERWISE SPECIFIED:		APVD	E. LAURER	11-6-95		SIZE	CAGE CODE	DRAWING NO		
0 PLC ± - 1 PLC ± - 2 PLC ± - 3 PLC ± - 4 PLC ± - ANGLES ± - FINISH ± -		PRODUCT SPEC	108-1163	APPLICATION SPEC		A2	00779	C=569542		
MATERIAL -		WEIGHT	-	CUSTOMER DRAWING	SCALE	4:1	SHEET	1 of 1	REV	G

## X-ON Electronics

Largest Supplier of Electrical and Electronic Components

*Click to view similar products for [TE Connectivity](#) manufacturer:*

Other Similar products are found below :

[D38999/24FJ4AN](#) [570416-000](#) [CLTEQ-M81CE-SSRELAY-4-20V](#) [4-1195131-0](#) [650069-000](#) [SMD100-2](#) [358838-000](#) [CB-1022B-78](#)  
[RM707012](#) [RP410012](#) [MMS42](#) [1-640426-8](#) [2EDL4CM](#) [DTS20W19-11PD-3028-LC](#) [RM202615](#) [NC6-P104-06](#) [MSPS103B](#) [DTS26F21-](#)  
[41HE-LC](#) [DTS26F21-41AE](#) [DTS26F21-41PE-LC](#) [DTS26F21-11SE-3028-LC](#) [30DCB6](#) [1932144-1](#) [293545-4](#) [LVR125S](#) [MS27466T25F4PB](#)  
[CKB-38-78010](#) [TR04AI-TINELLOCKRING](#) [1206SFF150F/63-2](#) [D38999/20JB35HA](#) [TE1500A2R2J](#) [D38999/20WC8BB](#) [DTS24F19-11SC-](#)  
[3028-LC](#) [D38999/24WG11HA](#) [D38999/24WG11HN](#) [MS27467T21F11H](#) [DJT16E21-11HA](#) [MS27467T21F35J](#) [MS27467T21F11J](#)  
[MS27467T21F16H-LC](#) [MS27467T21F35H](#) [MS27467T21F41H-LC](#) [1206SFH150F/24-2](#) [RP330024](#) [DJT16E21-11PA-LC](#) [DJT16E21-11HA-](#)  
[LC](#) [DJT16E21-11AA](#) [MS27467T21B11JA](#) [DJT16E21-11JA](#) [MS27467T21B11JA-LC](#)