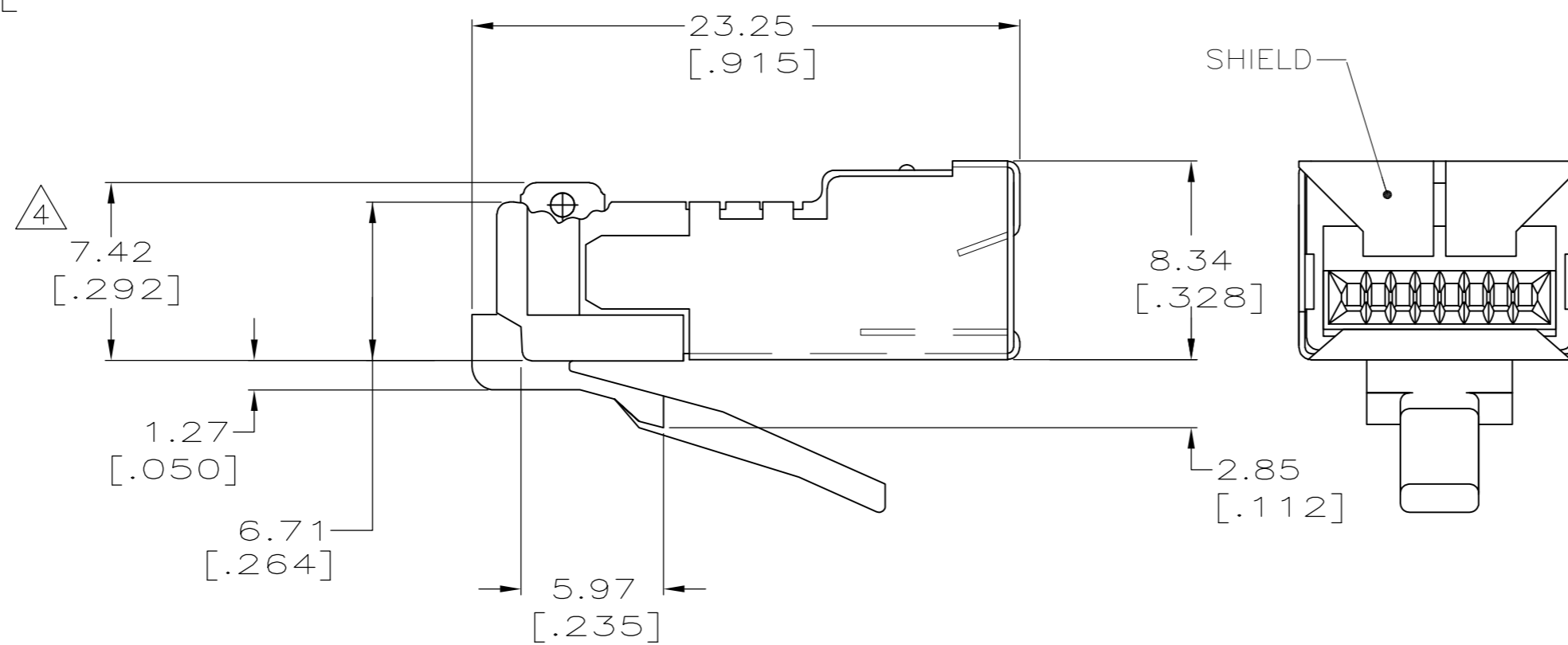
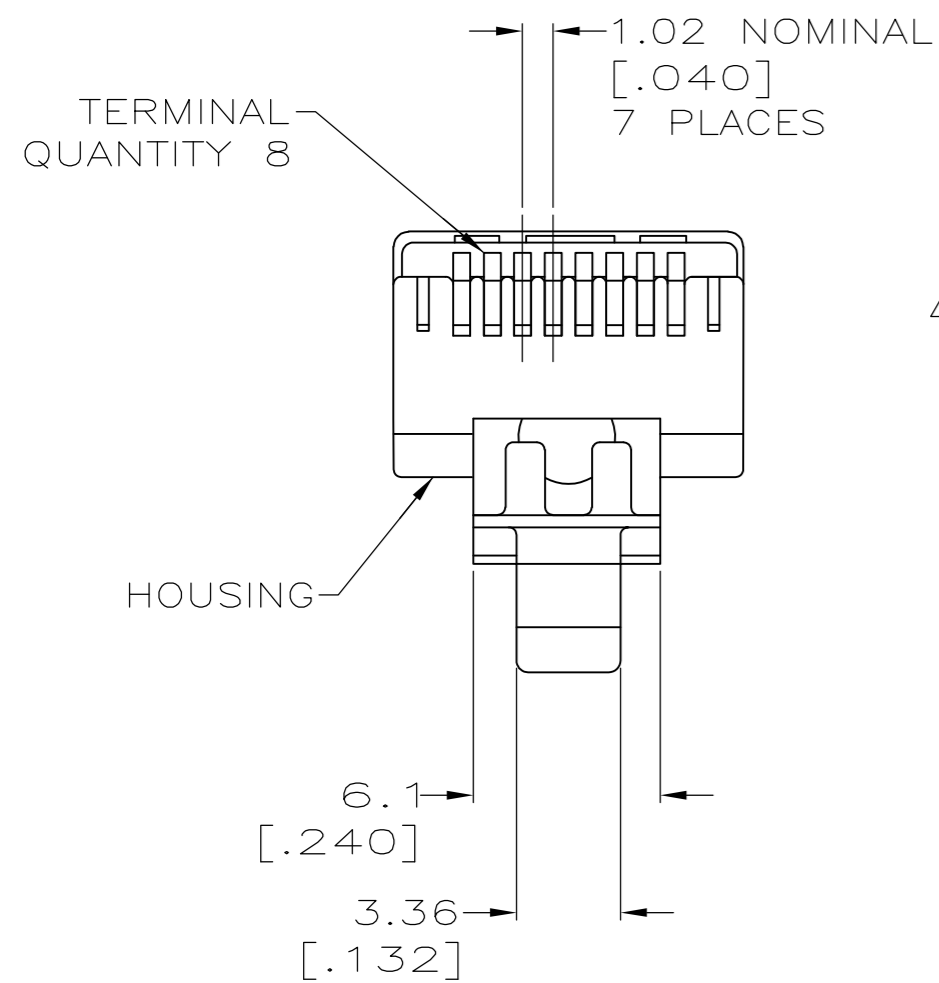
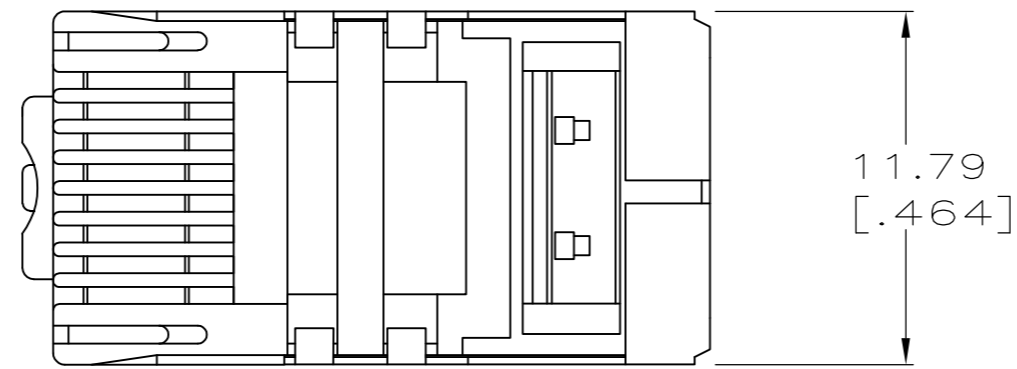
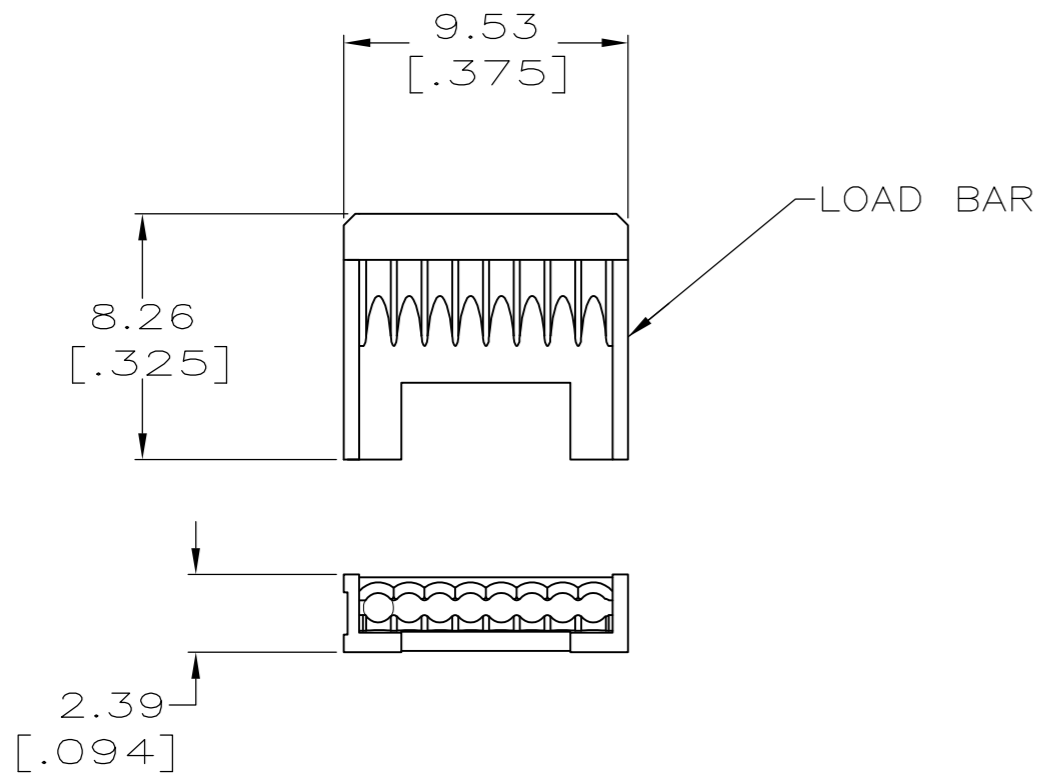


THIS DRAWING IS UNPUBLISHED. RELEASED FOR PUBLICATION
 © COPYRIGHT - By - ALL RIGHTS RESERVED.

LOC	DIST	REVISIONS					
		P	LTR	DESCRIPTION	DATE	DWN	APVD
HM	00		H	REV PER ECO-14-004548	26MAR2014	GG	JG



- ⚠ DIMENSIONS ARE MAXIMUM UNLESS OTHERWISE SPECIFIED.
- ⚠ MATERIAL:
 HOUSING - 94V-0 RATED POLYCARBONATE, CLEAR
 TERMINAL - .36 [.014] THICK PHOSPHOR BRONZE PLATED WITH .178μm [.000007] THICK GOLD IN LOCALIZED PLATE AREA, OVER .762μm [.000030] THICK PALLADIUM NICKEL IN LOCALIZED PLATE AREA OVER 2.54μm [.000100] THICK NICKEL ON ENTIRE CONTACT.
 SHIELD - COPPER ALLOY WITH 1.27μm [.000050] MINIMUM SEMI-BRIGHT(SATIN) NICKEL.
 LOAD BAR - PBT POLYESTER, BLACK.
- 3. PLUG WILL ACCEPT A 24 OR 26 AWG STRANDED CONDUCTOR, PROVIDED THE INSULATED CONDUCTOR DIAMETER IS 0.89 [.035] TO 0.99 [.039] WITH A SHIELDED, PLIABLE, LOOSE CABLE JACKET OF 4.83 [.190] TO 5.21 [.205] DIAMETER OR A SHIELDED, RIGID, HARD CABLE JACKET OF 4.83 [.190] TO 5.08 [.200] DIAMETER.
- ⚠ TERMINATED DIMENSION 6.15 [.242] MAXIMUM.
- ⚠ 500 ASSEMBLIES AND 500 LOAD BARS PER PACKAGE.
- ⚠ 100 ASSEMBLIES AND 100 LOAD BARS PER PACKAGE.
- ⚠ UL RECOGNIZED: FILE NUMBER E81956.

⚠ 6	5-569552-3
⚠ 5	5-569552-2
PACKAGED	PART NUMBER

THIS DRAWING IS A CONTROLLED DOCUMENT.		DWN	G. GARRETT	10-12-95		TE Connectivity						
DIMENSIONS: mm [INCHES]		CHK	C. WHITT	10-31-95		NAME						
TOLERANCES UNLESS OTHERWISE SPECIFIED:		APVD	E. LAURER	11-7-95		PRODUCT SPEC						
0 PLC ± - 1 PLC ± - 2 PLC ± - 3 PLC ± - 4 PLC ± - ANGLES ± - FINISH ± -		108-1163 APPLICATION SPEC 114-6053		MODULAR PLUG ASSEMBLY, 8 POSITION, SHIELDED, ROUND CABLE, STRANDED WIRE, HIGH PERFORMANCE								
MATERIAL	- ⚠ 2	WEIGHT	-		SIZE	A2	CAGE CODE	00779	DRAWING NO	C=569552	RESTRICTED TO	-
CUSTOMER DRAWING					SCALE	4:1	SHEET	1 of 1	REV	H		

X-ON Electronics

Largest Supplier of Electrical and Electronic Components

Click to view similar products for [TE Connectivity](#) manufacturer:

Other Similar products are found below :

[D38999/24FJ4AN](#) [570416-000](#) [CLTEQ-M81CE-SSRELAY-4-20V](#) [4-1195131-0](#) [650069-000](#) [SMD100-2](#) [358838-000](#) [CB-1022B-78](#)
[RM707012](#) [RP410012](#) [MMS42](#) [1-640426-8](#) [2EDL4CM](#) [DTS20W19-11PD-3028-LC](#) [RM202615](#) [NC6-P104-06](#) [MSPS103B](#) [DTS26F21-41HE-LC](#) [DTS26F21-41AE](#) [DTS26F21-41PE-LC](#) [DTS26F21-11SE-3028-LC](#) [30DCB6](#) [1932144-1](#) [293545-4](#) [LVR125S](#) [MS27466T25F4PB](#)
[CKB-38-78010](#) [TR04AI-TINELLOCKRING](#) [1206SFF150F/63-2](#) [D38999/20JB35HA](#) [TE1500A2R2J](#) [D38999/20WC8BB](#) [DTS24F19-11SC-3028-LC](#) [D38999/24WG11HA](#) [D38999/24WG11HN](#) [MS27467T21F11H](#) [DJT16E21-11HA](#) [MS27467T21F35J](#) [MS27467T21F11J](#)
[MS27467T21F16H-LC](#) [MS27467T21F35H](#) [MS27467T21F41H-LC](#) [1206SFH150F/24-2](#) [RP330024](#) [DJT16E21-11PA-LC](#) [DJT16E21-11HA-LC](#) [DJT16E21-11AA](#) [MS27467T21B11JA](#) [DJT16E21-11JA](#) [MS27467T21B11JA-LC](#)