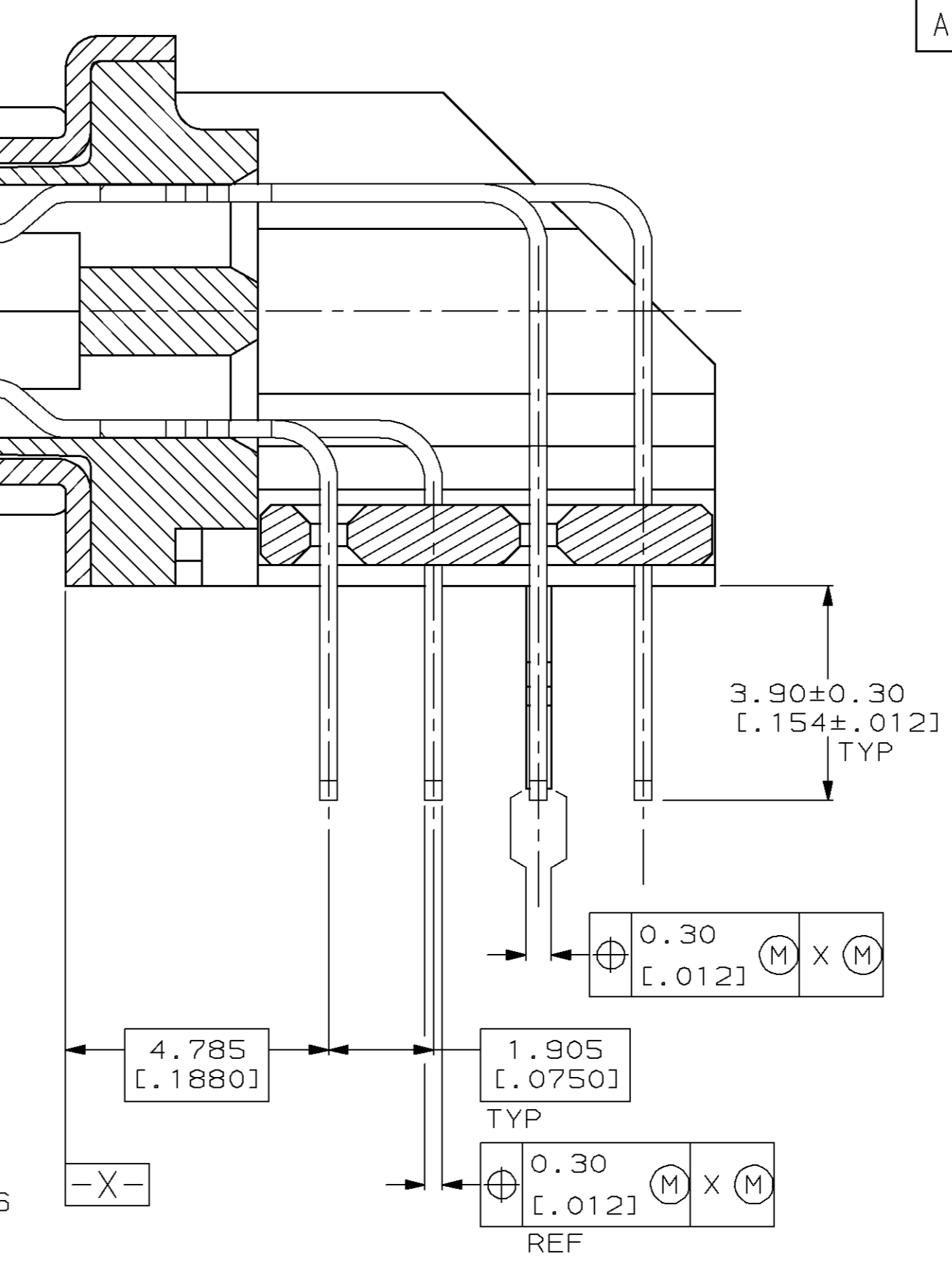
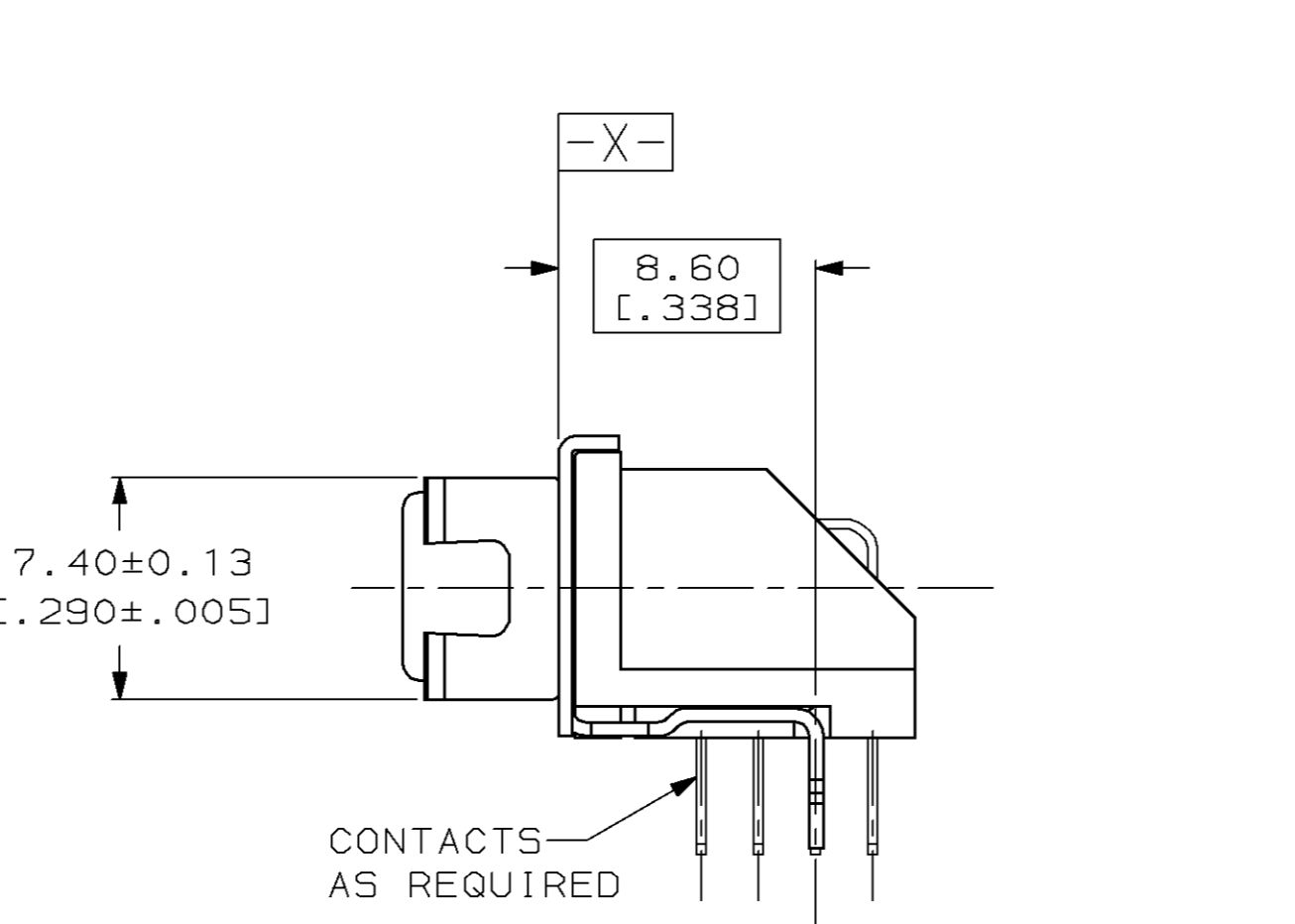
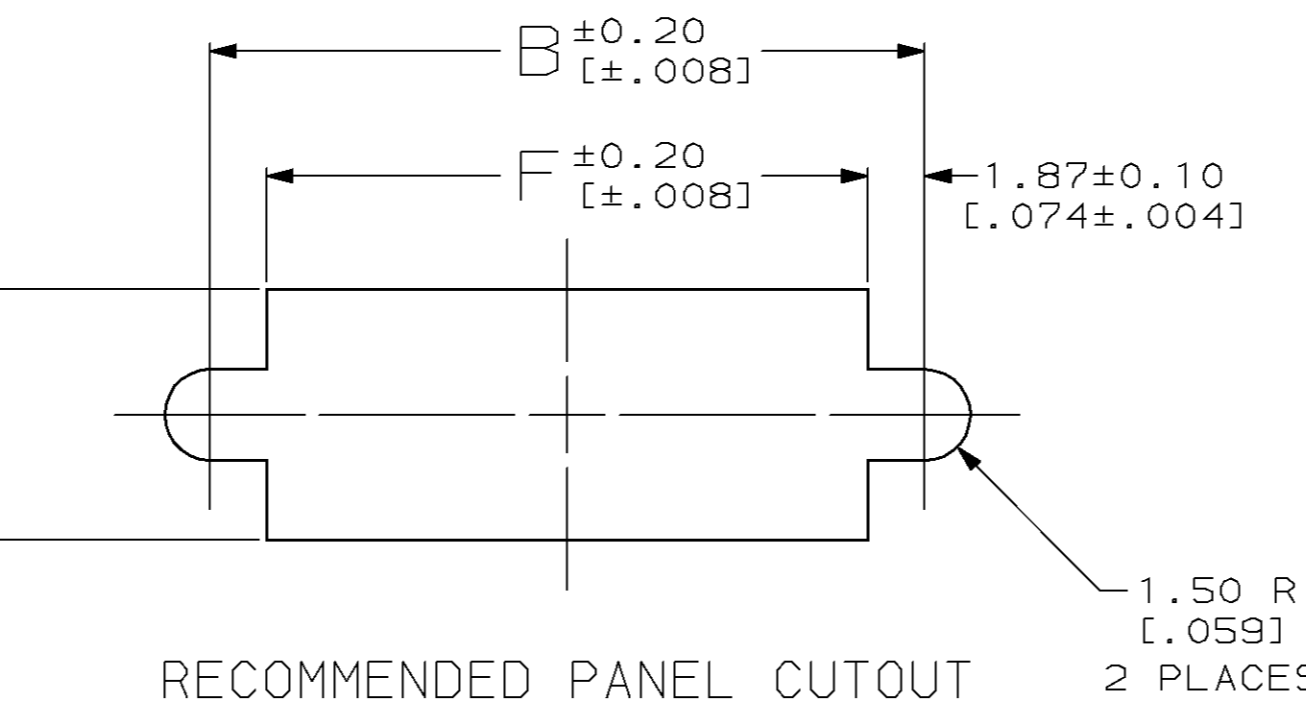
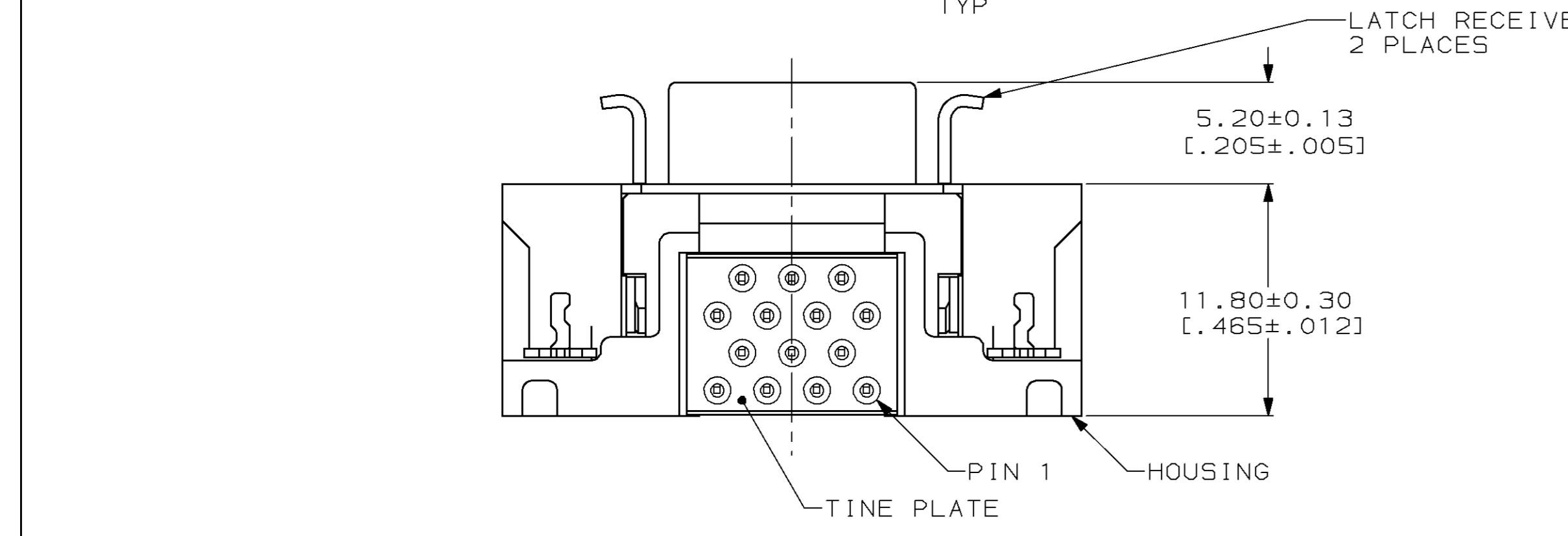
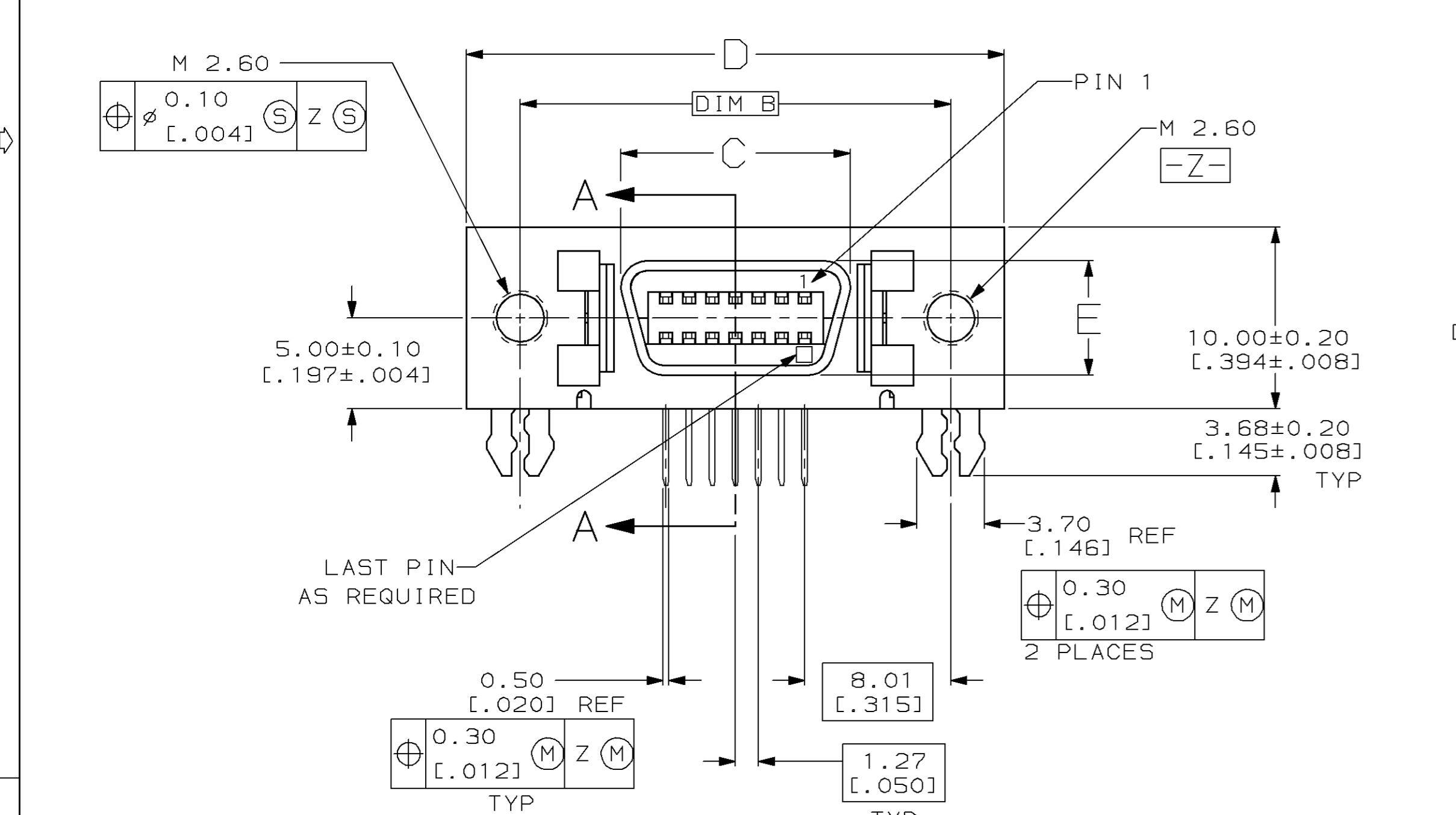
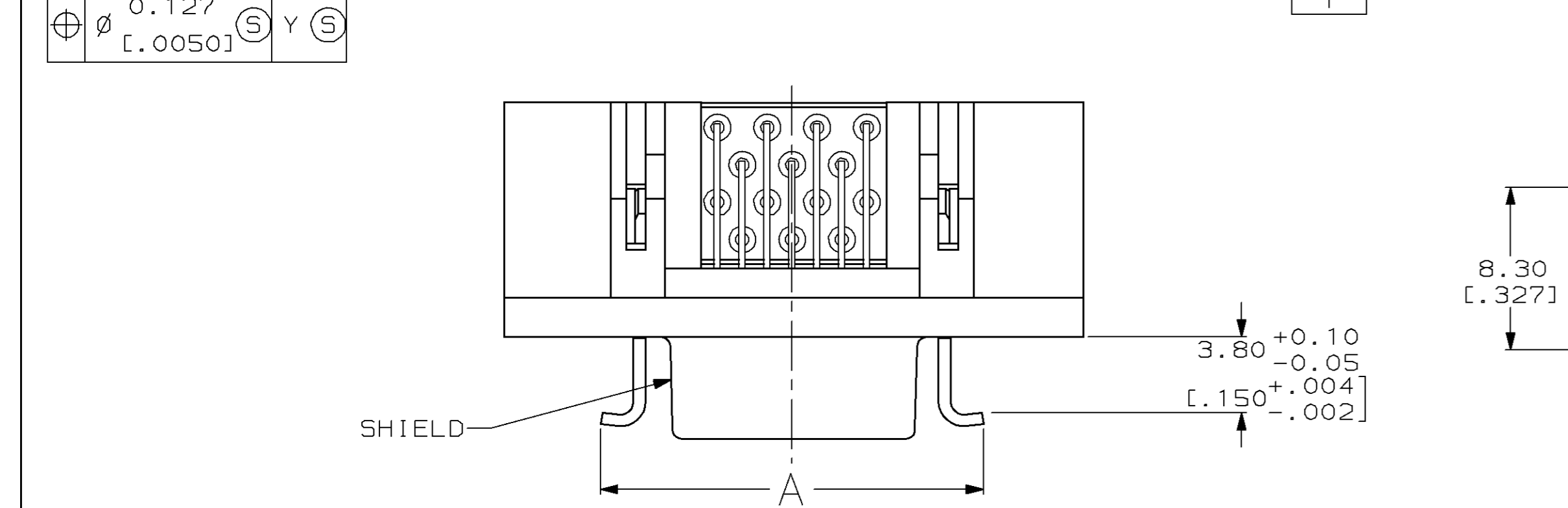
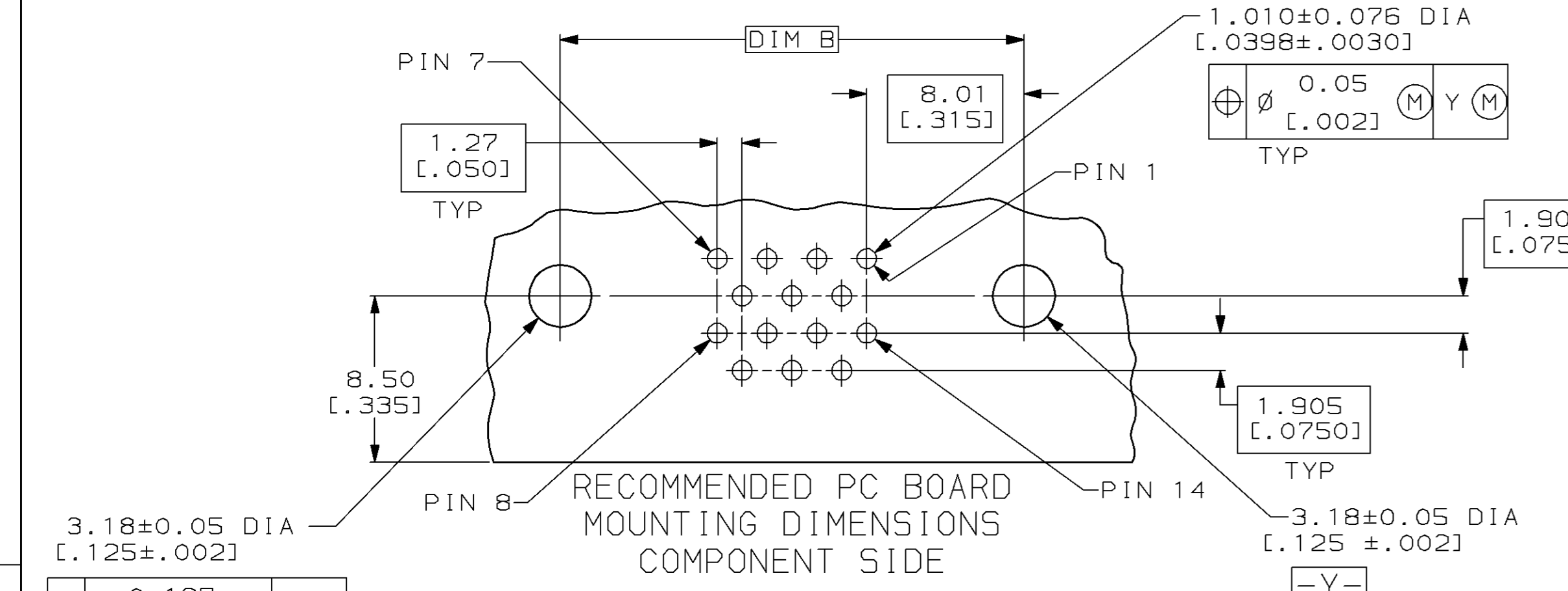


LOC	DIST	P	F	ZONE	LTR	DESCRIPTION	DATE	APPD
AR	84							
				B		REV; EC 014-9026-92 & 0210-47-93	2/25/93	JHM
				B1		REV PER EC 0020-562-93	05/10/93	JS
				C		REV PER EC 0020-1517-93	12/17/93	TS
				D		SUPSD -5 PER EC 0020-496-94	06/01/94	TS
				E		REV PER EC 0020-1441-94	01/11/95	ME
				F		REV PER EC 0020-0281-95	04/17/95	DB
				G		OBS -2, -4, & -5 PER EC 0020-0787-95	26 JUL 95	JS
				H		OBS -1 PER EC 0410-174-96	19 AUG 97	DB
				J		REV PER EC 0410-305-97	21 AUG 97	DB



- △ MATERIALS:
 HOUSING AND TINE PLATE - GLASS FILLED LCP, BLACK.
 CONTACTS - 0.3175[.01250] THICK PHOSPHOR BRONZE, PLATED ALL OVER WITH NICKEL, SEE TABLE FOR MINIMUM THICKNESS, GOLD PLATE IN CONTACT AREA SEE TABLE FOR MINIMUM THICKNESS, AND TIN-LEAD PLATED 3.81µm [.000150] MINIMUM THICK ON SOLDER TINES.
 SHIELD - 0.46 [.018] THICK CARBON STEEL PLATED 5.08µm [.000200] MINIMUM NICKEL OVER 0.64µm [.000025] MINIMUM COPPER.
 LATCH RECEIVER - STAINLESS STEEL 0.635 [.0250] THICK.
2. 14 POSITION SHOWN.
 △ PACKAGED 19 PER TUBE.
 △ OBSOLETE PART NUMBER.

F	E	D	C	B	A	POSITION	GOLD PLATING	NICKEL PLATING	PART NO
20.15 [0.793]	6.30±0.05 [.248±.002]	29.54±0.13 [1.163±.005]	12.60±0.13 [.496±.005]	23.64 [.931]	19.75±0.10 [.778±.004]	14	0.76µm [.000030]	1.27µm [.000050]	557153-5 △
							1.27µm [.000050]	2.45µm [.000098]	557153-4 △
							0.76µm [.000030]	1.27µm [.000050]	557153-3
27.77 [1.093]	6.30 ^{+0.10} _{-0.05} [.248 ^{+.004} _{-.002}]	37.16±0.13 [1.463±.005]	20.22±0.13 [.796±.005]	31.26 [1.231]	27.30±0.10 [1.075±.004]	26	1.27µm [.000050]	2.45µm [.000098]	557153-2 △
							0.76µm [.000030]	1.27µm [.000050]	557153-1 △

DO NOT SCALE PRINT. UNLESS SPECIFIED DIMENSIONS IN mm [INCHES] TOLERANCES ON: 2 PLC DEC ± - 3 PLC DEC ± - ANGLES ± -	DR 9/13/91 JOEL HAROLD WOOTEN CHK 3-3-92 B. FOX APPD 3-3-92 D. WOLLA APPD 3/4/92 E. MARSH PRODUCT SPEC -	AMP AMP Incorporated Harrisburg, PA 17105-3608	
MATERIAL △	APPLICATION SPEC	NAME RECEPTACLE ASSEMBLY, RIGHT ANGLE, SHIELDED, CHAMP™ .050, SERIES 11	
FINISH △	WEIGHT -	SIZE D	DRAWING NO C-557153
		SCALE 4:1	SHEET 1 OF 1

THIS DRAWING IS A CONTROLLED DOCUMENT FOR AMP INCORPORATED. IT IS SUBJECT TO CHANGE AND THE CONTROLLING ENGINEERING ORGANIZATION SHOULD BE CONTACTED FOR THE LATEST REVISION.

X-ON Electronics

Largest Supplier of Electrical and Electronic Components

Click to view similar products for [I/O Connectors](#) category:

Click to view products by [TE Connectivity](#) manufacturer:

Other Similar products are found below :

[571763P](#) [58098-0628](#) [D20419-211](#) [D38999/20FJ24PA L/C](#) [D38999/20FJ29SB L/C](#) [D38999/24FG11SN L/C](#) [72.250.1628.2](#) [72.250.2428.2](#)
[74720-0505](#) [76.350.0729.0](#) [76871-1403](#) [FCN-244F080-G/1](#) [FCN-260A9920](#) [FCN-268D024-G/2F#10X-R10](#) [PCS-E50FA](#) [PCS-XE26LKA](#)
[PCS-XE26MA+](#) [PCS-XES68MS+](#) [G38A71314B](#) [DX40-50P\(55\)](#) [1571250010](#) [157-22500-3](#) [MS3471L14-19P L/C](#) [1888020-8](#) [91-569786-](#)
[35H](#) [91-569786-35M](#) [91-644626-35P](#) [SM3100F14S-58S](#) [172501-4002](#) [172501-6002](#) [FCN-260C008-A/L0](#) [FCN-260C024-AL0](#) [FCN-](#)
[261Z008](#) [FCN-268D008-G/1K](#) [2000314-1](#) [200331-1](#) [2007498-2](#) [PCR-E28LMDAG1+](#) [PCR-E36FC+](#) [PCS-E28FS+](#) [PCS-XE26SLFD+](#) [PCS-](#)
[XE26SLFDT+](#) [G38A71214B](#) [HDRA-E68W1LFDTC-SL+](#) [HDR-E14MSG1+](#) [R88A-CNK81S](#) [CRT1-ATT02](#) [54182-0605](#) [U90B2054081210](#)
[UE86K842720321](#)