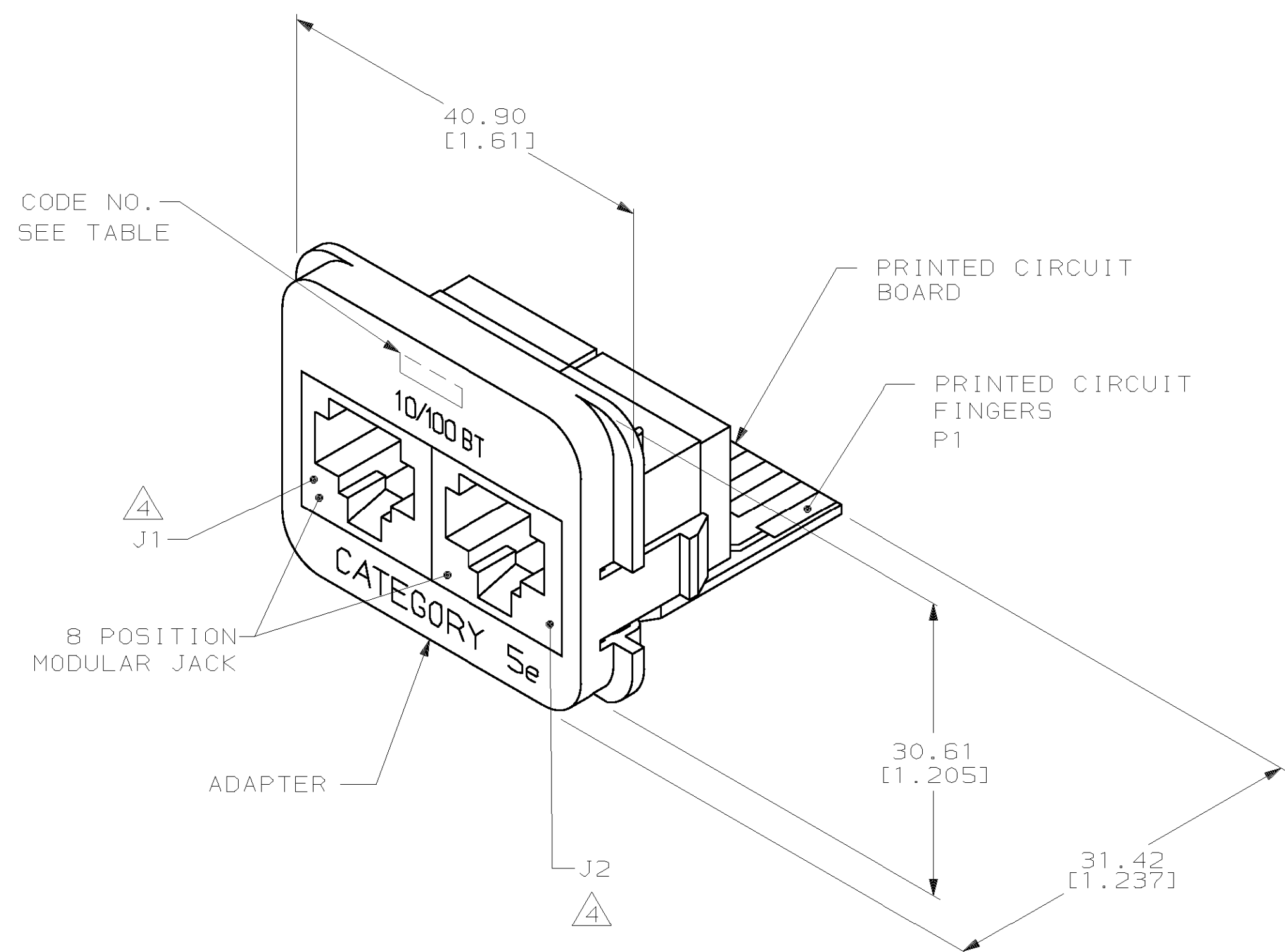
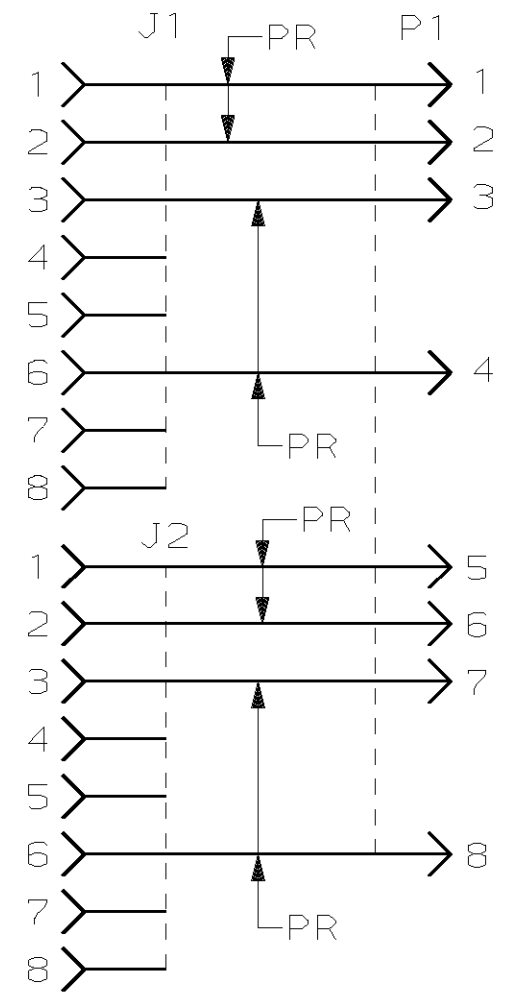


LOC		DIST		REVISIONS				DATE	APPD
ZONE	LTR	DESCRIPTION	DATE	APPD					
HM	00			D	REV; EC 0B40-0292-00		05JAN01	GG MD	



- 1 DIMENSIONS ARE MAXIMUM.
- 2 MATERIAL: PRINTED CIRCUIT BOARD- LAMINATED PLASTIC SHEET, 1.57 [.062] THICK. ADAPTER-ABS MOLDING COMPOUND, SEE TABLE. PRINTED CIRCUIT FINGERS-0.51µm [.000020] MINIMUM GOLD PLATE OVER 1.27µm [.000050] MINIMUM NICKEL PLATE.
- 3. THIS INSERT IS DESIGNED TO MATE WITH AMP INC. EDGE CONNECTOR KIT AND WALLBOX KITS.
- 4 THIS INTERCONNECT MEETS THE REQUIREMENTS OF IEC 603-7.



ELECTRICAL SCHEMATIC

THIS DRAWING IS A CONTROLLED DOCUMENT FOR AMP INCORPORATED. IT IS SUBJECT TO CHANGE AND THE CONTROLLING ENGINEERING ORGANIZATION SHOULD BE CONTACTED FOR THE LATEST REVISION.

BLACK	280-6	IVORY	557280-6
BLACK	280-5	WHITE	557280-5
BLACK	280-4	NEMA GRAY	557280-4
WHITE	280-3	BLACK	557280-3
BLACK	280-1	LIGHT ALMOND	557280-1
MARKINGS COLOR	CODE NO.	ADAPTER COLOR	PART NO

DO NOT SCALE PRINT. UNLESS SPECIFIED DIMENSIONS IN mm [INCHES] TOLERANCES ON : 2 PLC DEC ± - 3 PLC DEC ± - ANGLES ± -	DR 5-10-93 C.YATES CHK 5-13-93 C.WHITT APPD 5-17-93 J.R.SCHLUNZ APPD 5-17-93 B.YARBORO	AMP Incorporated Harrisburg, PA 17105-3608 NAME INSERT ASSEMBLY, DUAL, RJ45, 10/100BT, CATEGORY 5e, AMP COMMUNICATION OUTLET		
MATERIAL	PRODUCT SPEC			
FINISH	APPLICATION SPEC	SIZE	CAGE CODE	DRAWING NO
		C	00779	C=557280
	WEIGHT -	SCALE	2:1	SHEET 1 OF 1

X-ON Electronics

Largest Supplier of Electrical and Electronic Components

Click to view similar products for [Modular Connectors / Ethernet Connectors](#) category:

Click to view products by [TE Connectivity](#) manufacturer:

Other Similar products are found below :

[8949-H88/06BLKA/SN](#) [74441-0010/BKN](#) [MP1010RX-1000](#) [MP44RX-1000](#) [PHP-6P6C-5](#) [GAX-3-66](#) [GAX-8-62](#) [GDCX-PA-66-50](#) [GDCX-PN-64](#) [GDCX-PN-66](#) [GDCX-PN-66-50](#) [GDLX-A-66](#) [GDLX-N-66](#) [GDLX-S-66](#) [GDLX-S-88K](#) [GDTX-S-88-50](#) [GDX-PA-1010](#) [GLX-N-1010M-BLK](#) [GLX-S-88M-BLK](#) [GMX-N-1010](#) [GMX-S-1010](#) [GMX-S-66](#) [GMX-SMT4-N-88](#) [GPX-2-64](#) [GSGX-N-2-88](#) [GSGX-N-4-88](#) [GSX-NS2-88-3.05](#) [GSX-NS2-88-3.05-50](#) [GSX-NS-88-3.05-50](#) [PT-108A-8C-UL](#) [PT-J951-8C](#) [PTS-J531-8CS-50UL](#) [1-1775629-2](#) [A-2014-0-4](#) [GWLX-S-88-GR](#) [GWLX-S9-88-YG](#) [DC-1021-8-WH-6](#) [1300530003](#) [1324640-4](#) [RJ11FTVC2G](#) [RJ11FTVC2N](#) [RJFTVX2SA1G](#) [132764-001](#) [1413235](#) [MP88X-1000](#) [MPS88RX-5000](#) [E5288-S000K3-L](#) [E5908-15A242-L](#) [155302-001](#) [AX100653](#)