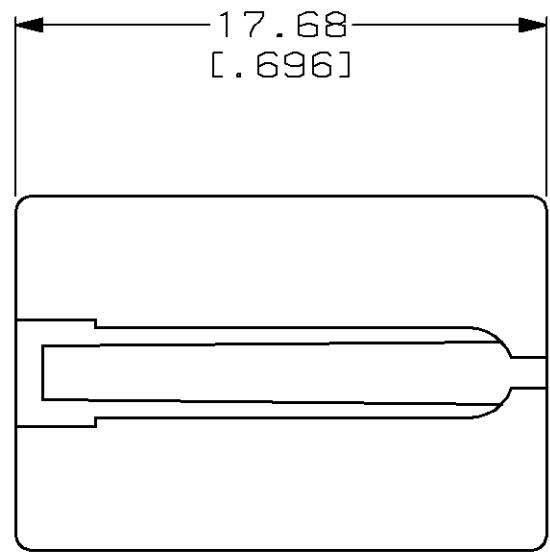
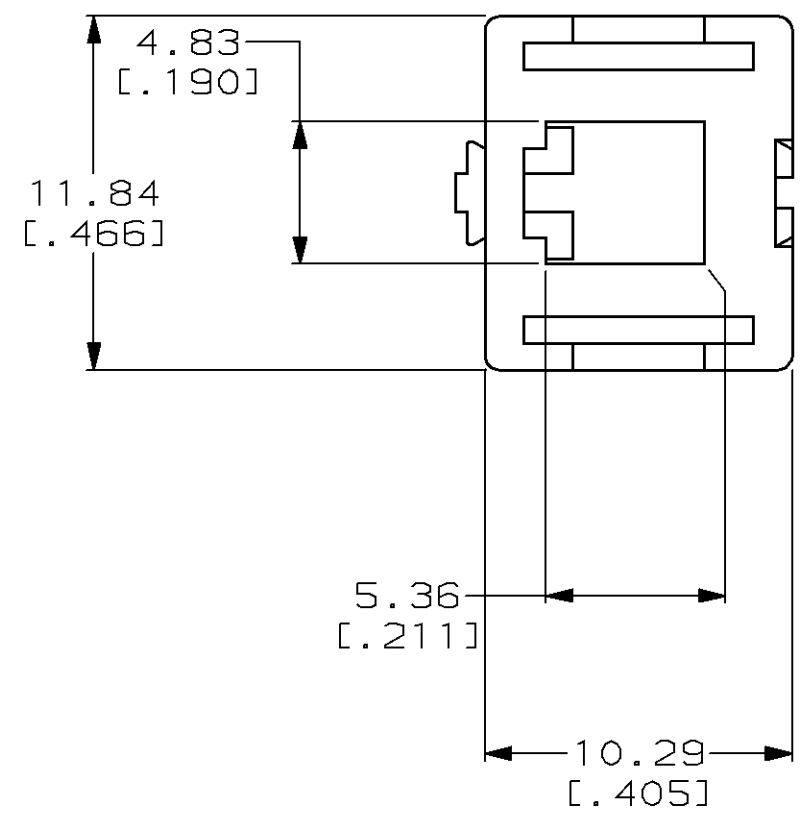
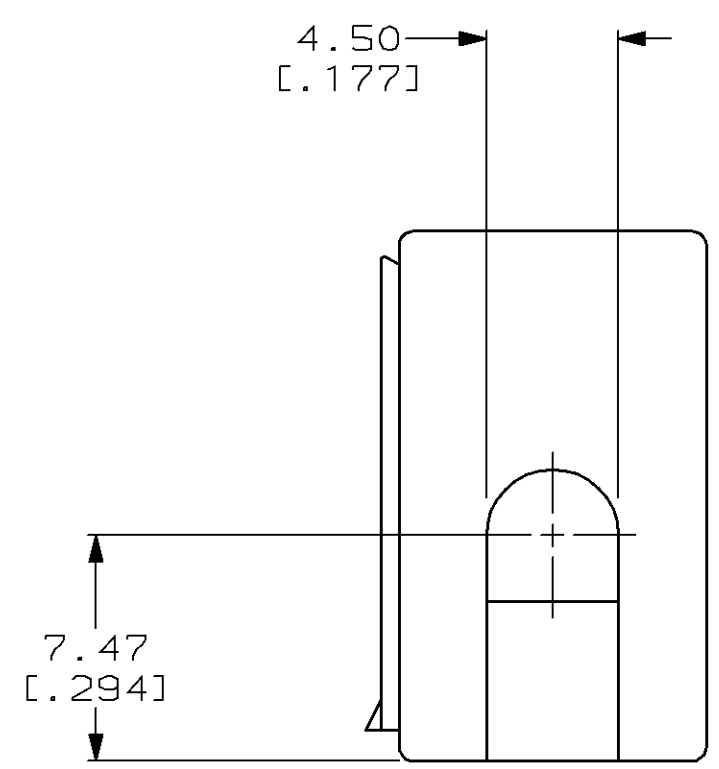


THIS DRAWING IS UNPUBLISHED. RELEASED FOR PUBLICATION, 19 .
 © COPYRIGHT 19 BY AMP INCORPORATED. ALL INTERNATIONAL RIGHTS RESERVED.

LOC	DIST	P	F	ZONE	LTR	DESCRIPTION	DATE	APPD
FT	60				0	RELEASED; NPR C91-76	1-18-92	SH
					A	REV PER EC 0320-68-97	06 MAR 97	MM



- △ MATERIAL: POLYCARBONATE MOLDING COMPOUND, BLACK.
- APPLICATION: USED TO MOUNT WIRE-TO-WIRE HOUSINGS BOTH IN THRU-PANEL AND HORIZONTAL TO PANEL MOUNTING APPLICATIONS.
 - DIMENSIONS MAXIMUM UNLESS OTHERWISE SPECIFIED.
 - REFER TO INSTRUCTION SHEET IS3277 FOR RECOMMENDED MOUNTING INSTRUCTIONS, HOLES AND HARDWARE.

557313-1

PART NO

DO NOT SCALE PRINT.
 UNLESS SPECIFIED
 DIMENSIONS IN mm [INCHES]
 TOLERANCES ON :
 2 PLC DEC ± _____
 3 PLC DEC ± _____
 ANGLES ± _____

DR 1-20-92
 S. MAYBERRY

AMP AMP Incorporated
 Harrisburg, PA 17105-3608

CHK

APPD

NAME

MOUNTING ADAPTER, WTW,
 AMPINNERGY™

MATERIAL



APPD

PRODUCT SPEC
 108-1373

FINISH



APPLICATION SPEC
 114-6051

SIZE CAGE CODE
 C 00779

DRAWING NO
 557313

WEIGHT _____

SCALE 4:1

SHEET 1 OF 1

X-ON Electronics

Largest Supplier of Electrical and Electronic Components

Click to view similar products for [Power to the Board](#) category:

Click to view products by [TE Connectivity](#) manufacturer:

Other Similar products are found below :

[6450171-4](#) [6450552-7](#) [6600323-8](#) [6643429-1](#) [6646040-2](#) [6651939-1](#) [6766604-1](#) [120959-1](#) [1393557-2](#) [1393532-2](#) [1393532-3](#) [1393532-4](#)
[1393557-1](#) [1600812-5](#) [1-6450861-2](#) [1744132-7](#) [1761122-1](#) [1766250-1](#) [1892109-1](#) [2-6450860-5](#) [2-6450870-0](#) [1-6450161-4](#) [1-6450850-6](#) [1-6450869-6](#) [1645526-2](#) [1-6600130-0](#) [2005243-2](#) [377-0020-11130](#) [TE34-12-16P-F0](#) [51700-10201602AALF](#) [5-6450830-6](#) [5646956-4](#) [377-0080-11131A](#) [4-6450830-9](#) [4-6600333-3](#) [10125416-4050LF](#) [10130248-005LF](#) [6600320-3](#) [3-6450860-5](#) [1888123-2](#) [6450166-1](#) [6643978-1](#)
[6766605-1](#) [701-15-02109](#) [N11444](#) [6651938-1](#) [6450810-7](#) [46437-1112](#) [1-1589677-8](#) [5646956-5](#)