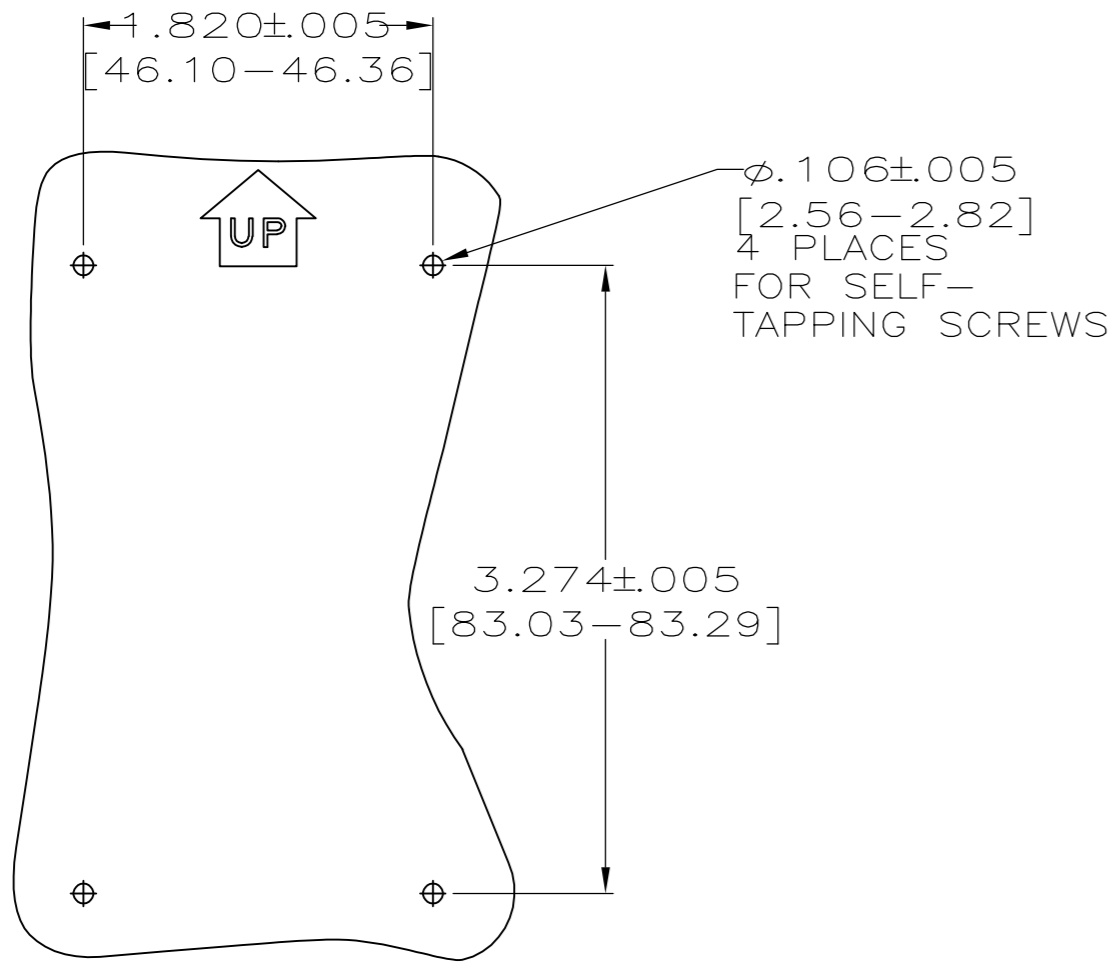


THIS DRAWING IS UNPUBLISHED. RELEASED FOR PUBLICATION
 © COPYRIGHT BY TYCO ELECTRONICS CORPORATION. ALL RIGHTS RESERVED.

LOC	DIST	REVISIONS					
HM	00	P	LTR	DESCRIPTION	DATE	DWN	APVD
		B		REDWN & REV; EC 0B40-0061-01	30MAR01	LH	GB
		C		REV-EC0-06-007951	05APR06	LH	GB
		D		REV EC0-10-011451	01JUN2010	LH	RA



RECOMMENDED MOUNTING DIMENSIONS



MOUNTING:

A) WALL: SINGLE OR DOUBLE GANG ELECTRICAL BOXES, FURNITURE PANELS, DESKS, SURFACE ACCESSIBLE RACEWAYS, FLAT SURFACE.
 B) FLOOR: CELLULAR PRESETS OR POKE-THRUS, UNDERCARPET WIRING.

10. SHIPPING WEIGHT: 0.46 POUNDS PER ASSEMBLY.

11. TWO LABELS, LABEL COVER AND FOUR 6-32 X .88 [22.35] LONG SELF-TAPPING MOUNTING SCREWS ARE PACKAGED INSIDE MOUNT OUTLET ASSEMBLY.



DIMENSIONS ARE MAXIMUM UNLESS OTHERWISE SPECIFIED.

2.

DIMENSIONS IN BRACKETS [] ARE IN MILLIMETERS.

3.

DESCRIPTION: A WORKSTATION OUTLET CAPABLE OF DISTRIBUTING COAX, FIBER, AND TWISTED PAIR. THE OUTLET CAN EASILY BE RECONFIGURED TO ACCOMMODATE THE APPLICATION NEEDS.



MATERIAL: BASE, COVER, ICON WHEEL AND INSERTS - ABS MOLDING COMPOUND, 94V-0 RATED. SEE TABLE FOR COLOR. LABEL COVER - POLYCARBONATE MOLDING COMPOUND, CLEAR. SCREWS - ZINC PLATED CARBON STEEL. PRESS-IN INSERT - STAINLESS STEEL.

5.

FEATURES:

- A) ACCOMMODATES FIBER OPTIC, COAXIAL, AND TWISTED PAIR MEDIA.
- B) EIGHT PORT INTERCHANGABLE INSERTS.
- C) SUPPORTS AMP NETCONNECT® SYSTEMS.
- D) CONTROLLED STORAGE FOR 2-3 FEET EACH OF TWO DUAL FIBER CABLES AT MINIMUM REQUIRED RADIUS.

6.

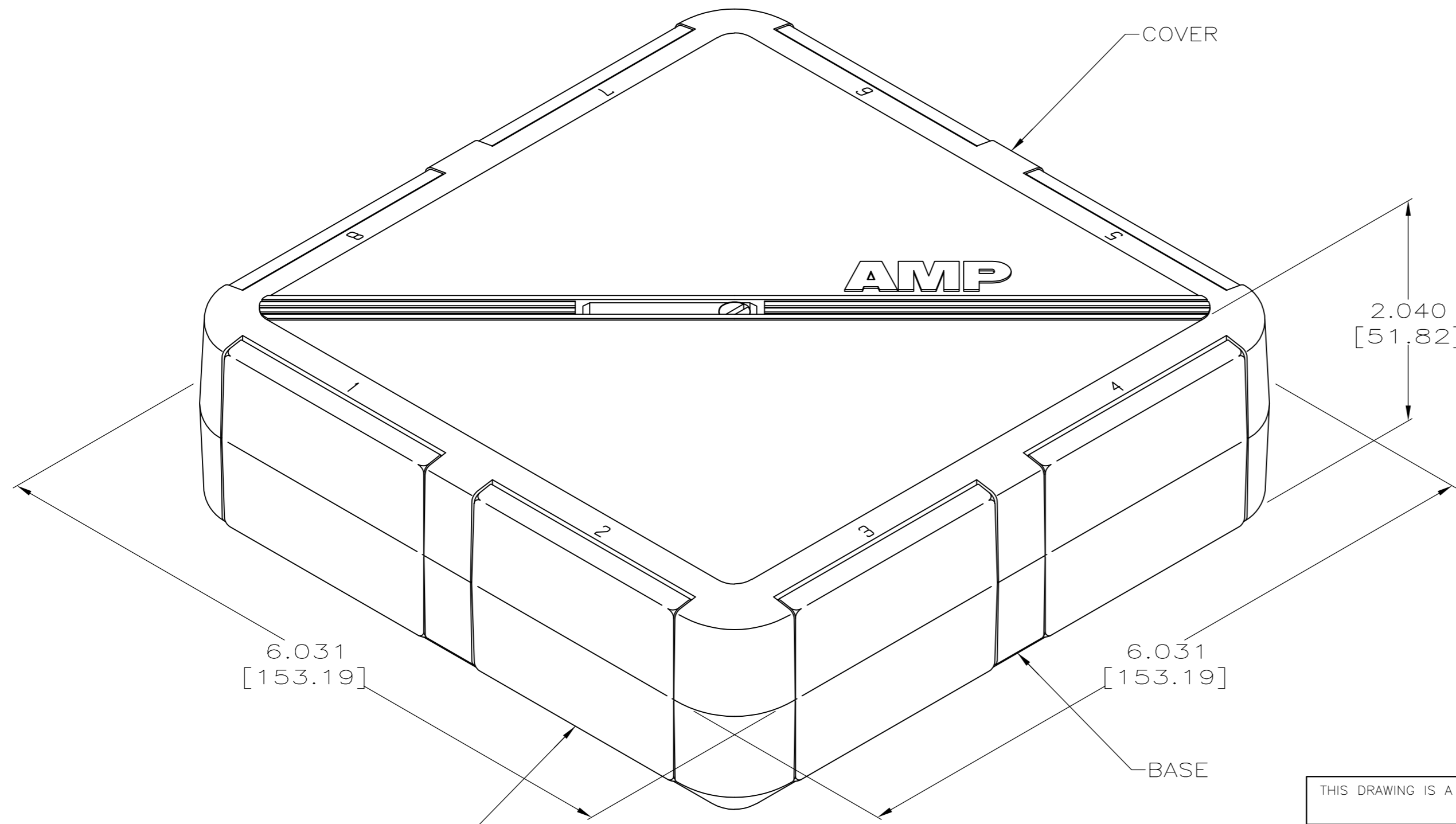
APPROVALS: N/A

7.

ELECTRICAL PARAMETERS: UL FILE E81956, CSA FILE LR7189.

8.

PACKAGING: ONE ASSEMBLY PER PRINTED POLYBAG.



OBSOLETE	NEMA GRAY	557366-3
	LIGHT ALMOND	557366-1
	COLOR	PART NO.

THIS DRAWING IS A CONTROLLED DOCUMENT.		DWN	28MAR01	Tyco Electronics Corporation	
DIMENSIONS: INCHES [mm]		L. HALL	30MAR01	Harrisburg, PA 17105-3608	
TOLERANCES UNLESS OTHERWISE SPECIFIED:		CHK	G. BOWMAN	NAME	
0 PLC	± -	APVD	G. BOWMAN	SURFACE MOUNT OUTLET ASSEMBLY	
1 PLC	± -	PRODUCT SPEC	-	SIZE	CAGE CODE
2 PLC	± -	APPLICATION SPEC	408-3281	A2	00779
3 PLC	± -	WEIGHT	-	DRAWING NO	
4 PLC	± -	FINISH	-	RESTRICTED TO	
ANGLES	± -	CUSTOMER DRAWING		SCALE 1:1 SHEET 1 of 1 REV D	

X-ON Electronics

Largest Supplier of Electrical and Electronic Components

Click to view similar products for [Fibre Optic Connectors](#) category:

Click to view products by [TE Connectivity](#) manufacturer:

Other Similar products are found below :

[0004700001](#) [6100-R](#) [6313](#) [F709034706](#) [F709722200](#) [F709730000](#) [F718183204](#) [F727403500](#) [F727752800](#) [8119](#) [9440F20-27S-190](#) [944-120-6001](#) [9441F10SL-3S](#) [9444W28-21S](#) [9444W36-10S](#) [9446F10SL-4S](#) [9446W20-16S](#) [953-101-5310-P](#) [954-101-57202B](#) [A0270169](#) [12-9122](#) [12-5702](#) [AX101713](#) [AX102420](#) [AX103923](#) [AX104024](#) [AX104193](#) [AX104230](#) [AX104498](#) [AX104562](#) [AX105203-B25](#) [AX105205-S1](#) [EHSC2M](#) [181-011-126](#) [181-011-S](#) [181-057-126](#) [HRFC-R2\(40\)](#) [NKSOPBUY](#) [20500002116](#) [2064996-1](#) [20800001065](#) [2170](#) [9132](#) [2612](#) [2620](#) [9291](#) [9440F16-10S](#) [9440F20-18S](#) [9442W14S-10P](#) [9446F16-10S-190](#)