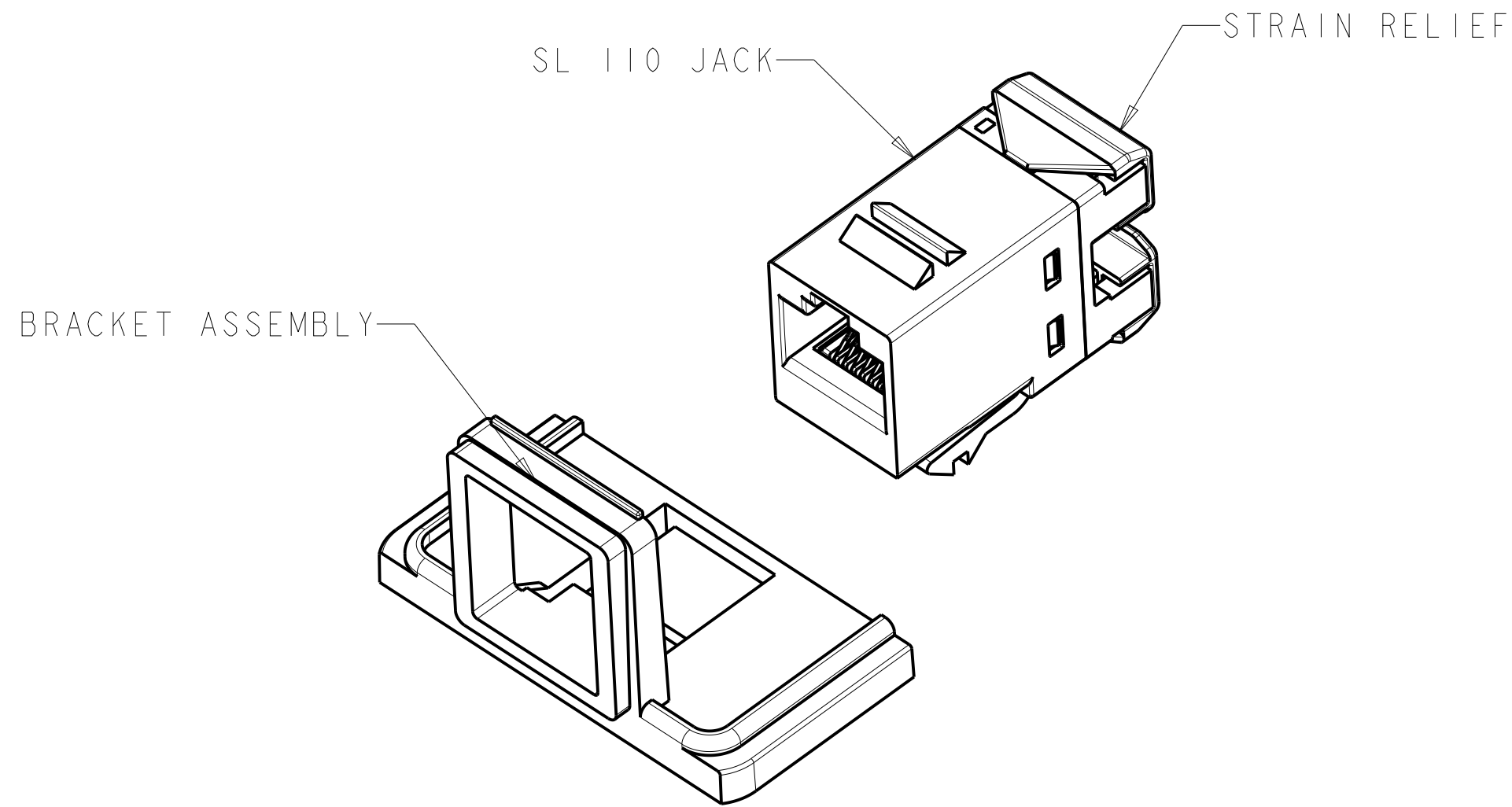
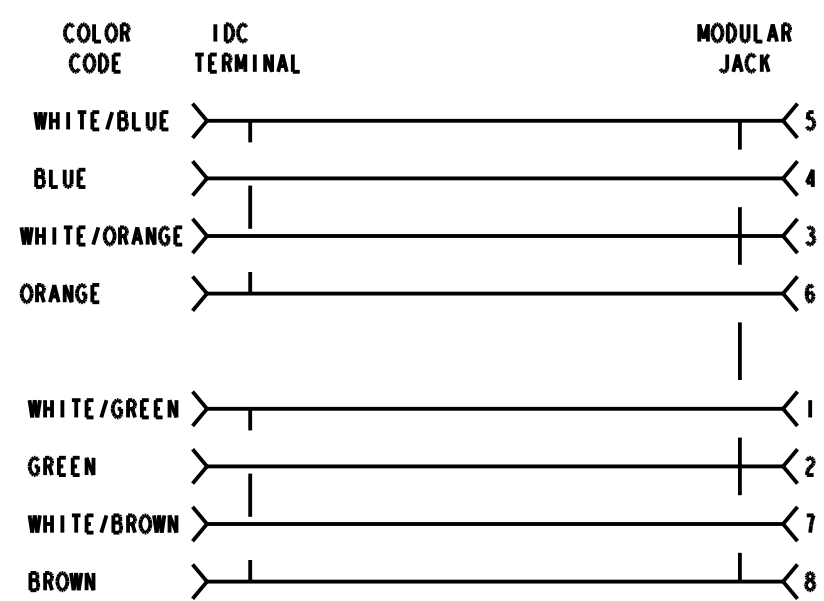


THIS DRAWING IS UNPUBLISHED. RELEASED FOR PUBLICATION
 © 2016 COMMScope, INC. CONFIDENTIAL NOTICE: THESE DRAWINGS AND SPECIFICATIONS ARE THE PROPRIETARY PROPERTY OF COMMScope, INC. AND MAY BE USED ONLY FOR THE SPECIFIC PURPOSE AUTHORIZED IN WRITING BY COMMScope, INC.

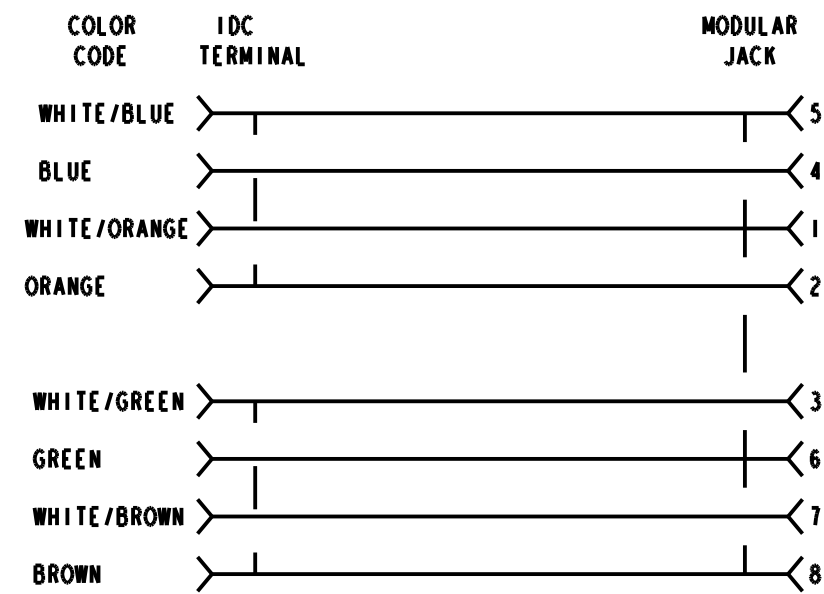
REVISIONS				
P	LTR	DESCRIPTION	DATE	APVD
B		REDWN, REV; EC 0B40-0016-03	10FEB03	GG LS
C		REV ECO-09-004514	23APR2009	LH SJ
D		REV; ECO-09-011567	15JULY2009	GG SJ
E		REV BNS_CD_BRAND	10FEB2017	GG DC



- ⚠ MATERIAL:
 BRACKET - ABS, UL 94V-0 RATED.
 JACK HOUSING - POLYPHENYLENE OXIDE, UL 94V-0 RATED.
 110 BLOCKS AND STRAIN RELIEF - POLYCARBONATE.
 JACK CONTACTS ARRAY - GOLD OVER BERYLLIUM COPPER.
 IDC TERMINALS - TIN OVER PHOSPHOROUS BRONZE..
- USE FOAM TAPE (INCLUDED) FOR FASTENING TO SURFACES.
 - THIS KIT SHIPPED NOT ASSEMBLED.
- ⚠ ALL DIMENSIONS SHOWN ARE NOMINAL.
- APPLICATION: UNDERCARPET COMMUNICATIONS CABLING SYSTEM. USE WITH LOW PROFILE COMMUNICATIONS FLOOR FITTINGS.



ELECTRICAL SCHEMATIC
T568A



ELECTRICAL SCHEMATIC
T568B

558054-1
PART NUMBER

THIS DRAWING IS A CONTROLLED DOCUMENT.		DWN G. GARRETT 10FEB03	COMMScope, INC. DATA KIT, SL 110 JACK, UNIVERSAL, CATEGORY 5E
DIMENSIONS: MM [INCHES]		CHK L. SIMPSON 10FEB03	
TOLERANCES UNLESS OTHERWISE SPECIFIED: 4		APVD J. SIMPSON 10FEB03	
MATERIAL ⚠ DIMENSIONS: 0 PLC ±, 1 PLC ±, 2 PLC ±, 3 PLC ±, 4 PLC ±, ANGLES ±, FINISH -		PRODUCT SPEC - APPLICATION SPEC - WEIGHT -	NAME - SIZE A2 CAGE CODE - DRAWING NO. C-558054 RESTRICTED TO -
CUSTOMER DRAWING		SCALE 2:1	SHEET 1 OF 1 REV E

X-ON Electronics

Largest Supplier of Electrical and Electronic Components

Click to view similar products for [Modular Connectors / Ethernet Connectors](#) category:

Click to view products by [TE Connectivity](#) manufacturer:

Other Similar products are found below :

[8949-H88/06BLKA/SN](#) [74441-0010/BKN](#) [MP1010RX-1000](#) [MP44RX-1000](#) [PHJ-4P4C-1-V-4](#) [PHP-6P6C-5](#) [GAX-3-66](#) [GAX-8-62](#) [GDCX-PA-66-50](#) [GDCX-PN-64](#) [GDCX-PN-66](#) [GDCX-PN-66-50](#) [GDLX-A-66](#) [GDLX-N-66](#) [GDLX-S-66](#) [GDLX-S-88K](#) [GDLX-SMT-S-88](#) [GDTX-S-88-50](#) [GDX-PA-1010](#) [GLX-N-1010M-BLK](#) [GLX-S-88M-BLK](#) [GMX-N-1010](#) [GMX-S-1010](#) [GMX-S-66](#) [GMX-SMT4-N-88](#) [GPX-2-64](#) [GSGX-N-2-88](#) [GSGX-N-4-88](#) [GSX-NS2-88-3.05](#) [GSX-NS2-88-3.05-50](#) [GSX-NS-88-3.05-50](#) [PT-108A-8C-UL](#) [PT-J951-8C](#) [PTS-J531-8CS-50UL](#) [1-1775629-2](#) [A-2014-0-4](#) [GWLX-S-88-GR](#) [GWLX-S9-88-YG](#) [DC-1021-8-WH-6](#) [1300530003](#) [1324640-4](#) [RJ11FTVC2G](#) [RJ11FTVC2N](#) [RJFTVX2SA1G](#) [132764-001](#) [1413235](#) [MP88X-1000](#) [MPS88RX-5000](#) [E5288-S000K3-L](#) [E5908-15A242-L](#)