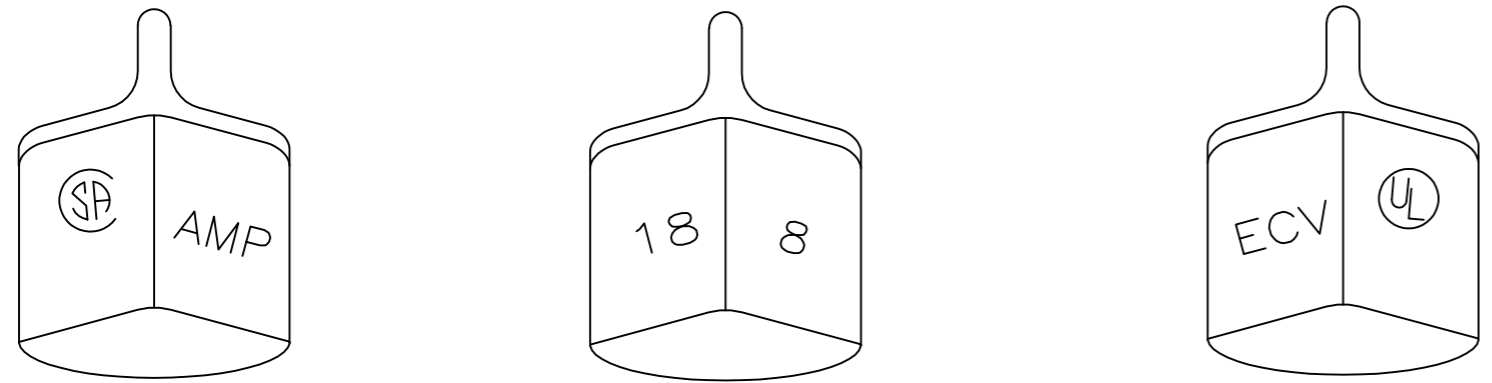


THIS DRAWING IS UNPUBLISHED. RELEASED FOR PUBLICATION  
 © COPYRIGHT BY TYCO ELECTRONICS CORPORATION. ALL RIGHTS RESERVED.

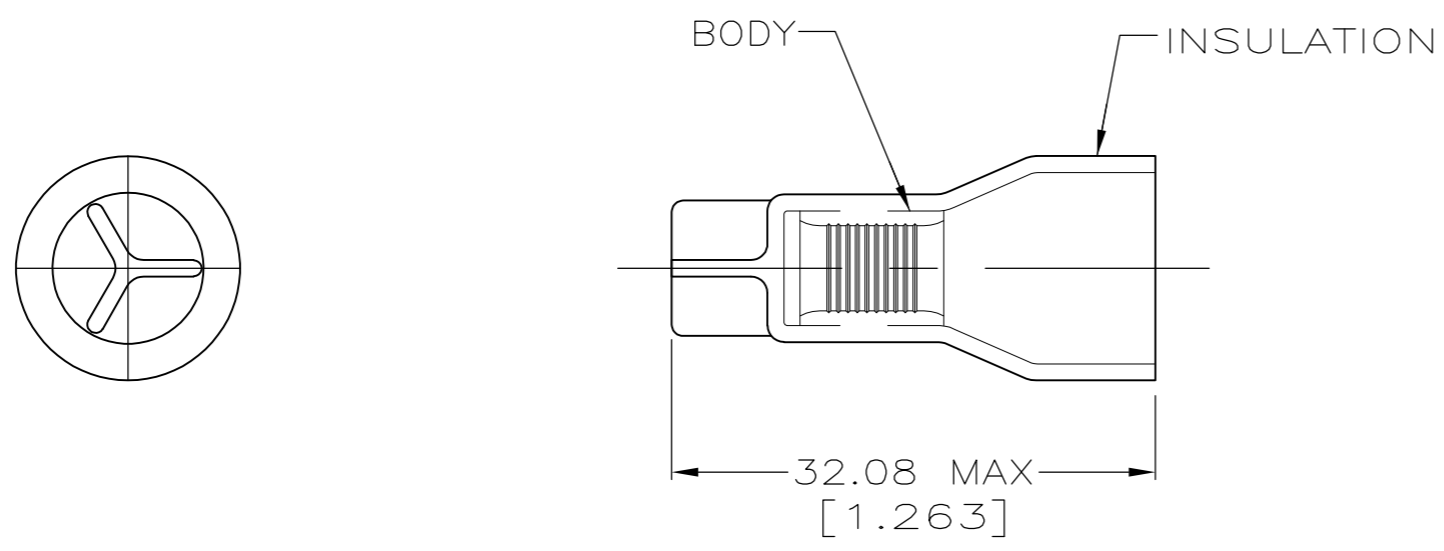
LOC	DIST	REVISIONS					
		P	LTR	DESCRIPTION	DATE	DWN	APVD
G	14		E	REVISED PER ECR-08-016717	08JUL08	HMR	TM



DETAIL OF STAMPING

- 1 FOR 12.70 [.500] MAX WIRE INSULATION DIA
- 2 MATERIAL: BODY: COPPER PER ASTM B152  
INSULATION: PVC  
COLOR: BLACK
- 3 FINISH: BODY: TIN PLATE PER ASTM B-545

<b>AMP</b> WIRE RANGE	Listed	LR7189 Certified
18-8 AWG SOLID OR STRANDED	18-8 AWG SOLID OR STRANDED	18-8 AWG SOLID OR STRANDED



—	LOOSE PIECE	55808-1
QTY	DESCRIPTION	PART NO

**AMP INCORPORATED**  
**CUSTOMER SERVICE SYSTEMS**

FOR ADDITIONAL PRODUCT INFORMATION OR COPIES OF DRAWINGS AND TECHNICAL DOCUMENTS  
 PRODUCT INFORMATION CENTER  
 1-800-522-6752

FOR APPLICATION TOOLING INFORMATION  
 TOOLING ASSISTANCE CENTER  
 1-800-722-1111

FOR ORDER ENTRY  
 1-800-526-5142

MAX RECOMMENDED OPERATING TEMPERATURE:  
 105°C MAX

VOLTAGE RATING:  
 600V MAX (BUILDING & WIRING)  
 1000V MAX (FIXTURES & SIGNS)

CIRCULAR MIL AREA:  
 5.23-10.55mm<sup>2</sup> [10320-20620]  
 SOLID OR STRANDED

THIS DRAWING IS A CONTROLLED DOCUMENT.

DIMENSIONS:	TOLERANCES UNLESS OTHERWISE SPECIFIED:
INCHES	
	0 PLC ± -
	1 PLC ± -
	2 PLC ± 0.20[.008]
	3 PLC ± -
	4 PLC ± -
	ANGLES ± -

MATERIAL

FINISH

DWN G KRUPER 12/92  
 CHK R HERSEY 1/93  
 APVD M ELLIS 1/93

**Tyco Electronics** Tyco Electronics Corporation  
 Harrisburg, Pa 17105-3608

NAME: SPLICE, WIRE, CLOSED END

SIZE	CAGE CODE	DRAWING NO	RESTRICTED TO
A3	00779	C-55808	—

CUSTOMER DRAWING SCALE 2:1 SHEET 1 OF 1 REV E

## X-ON Electronics

Largest Supplier of Electrical and Electronic Components

*Click to view similar products for [Terminals](#) category:*

*Click to view products by [TE Connectivity](#) manufacturer:*

Other Similar products are found below :

[00-054007-01074-6](#) [00-054007-70206-1](#) [00-054007-70210-8](#) [00-054007-70217-7](#) [00-054007-70226-9](#) [00-054007-70228-3](#) [00-054007-70248-1](#) [00-054007-70256-6](#) [00-054007-70301-3](#) [00-054007-70316-7](#) [0-0320562-0](#) [00-054007-49560-4](#) [00-054007-70209-2](#) [00-054007-70225-2](#) [00-054007-70227-6](#) [00-054007-70231-3](#) [00-054007-70241-2](#) [00-054007-70242-9](#) [00-054007-70244-3](#) [00-054007-70246-7](#) [00-054007-70263-4](#) [00-054007-70288-7](#) [00-054007-70290-0](#) [00-054007-70300-6](#) [00-054007-70304-4](#) [01-2065-1-0216](#) [01-2900-1-04412](#) [00581P0075](#) [600TS-10](#) [60205-1](#) [604200-1](#) [605601-1](#) [60598-1-CUT-TAPE](#) [61314-6-C](#) [61810-3](#) [61-S](#) [61-SN](#) [626-0194](#) [62-NBM-A](#) [62-SN](#) [62-SP](#) [63-S](#) [640179-1](#) [M55155/059I03](#) [M55155/079C01](#) [M55155/099H02](#) [M55155/109H01](#) [M55155/109H02](#) [M55155/12XH05](#) [M55155/16XH02](#)