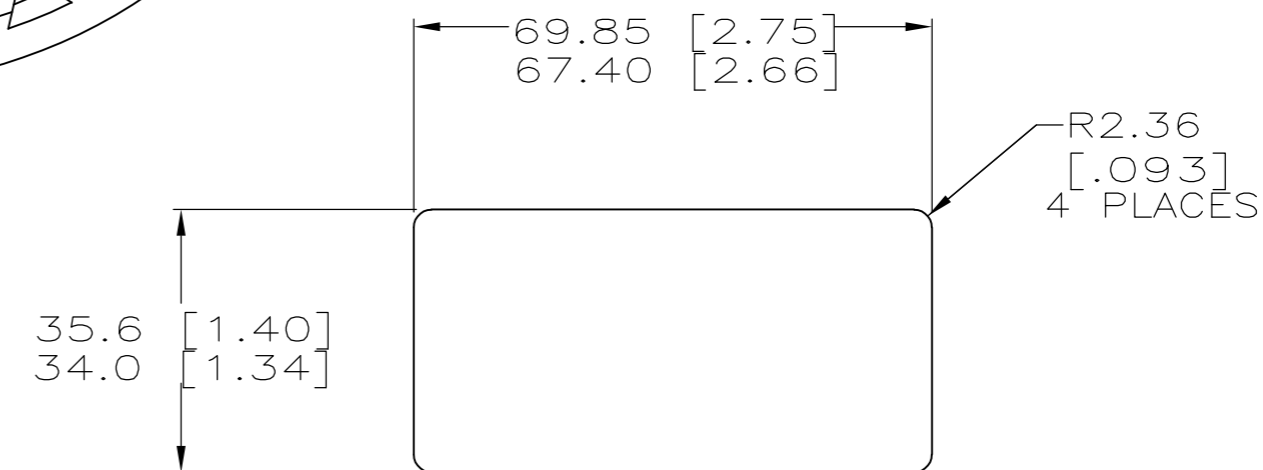
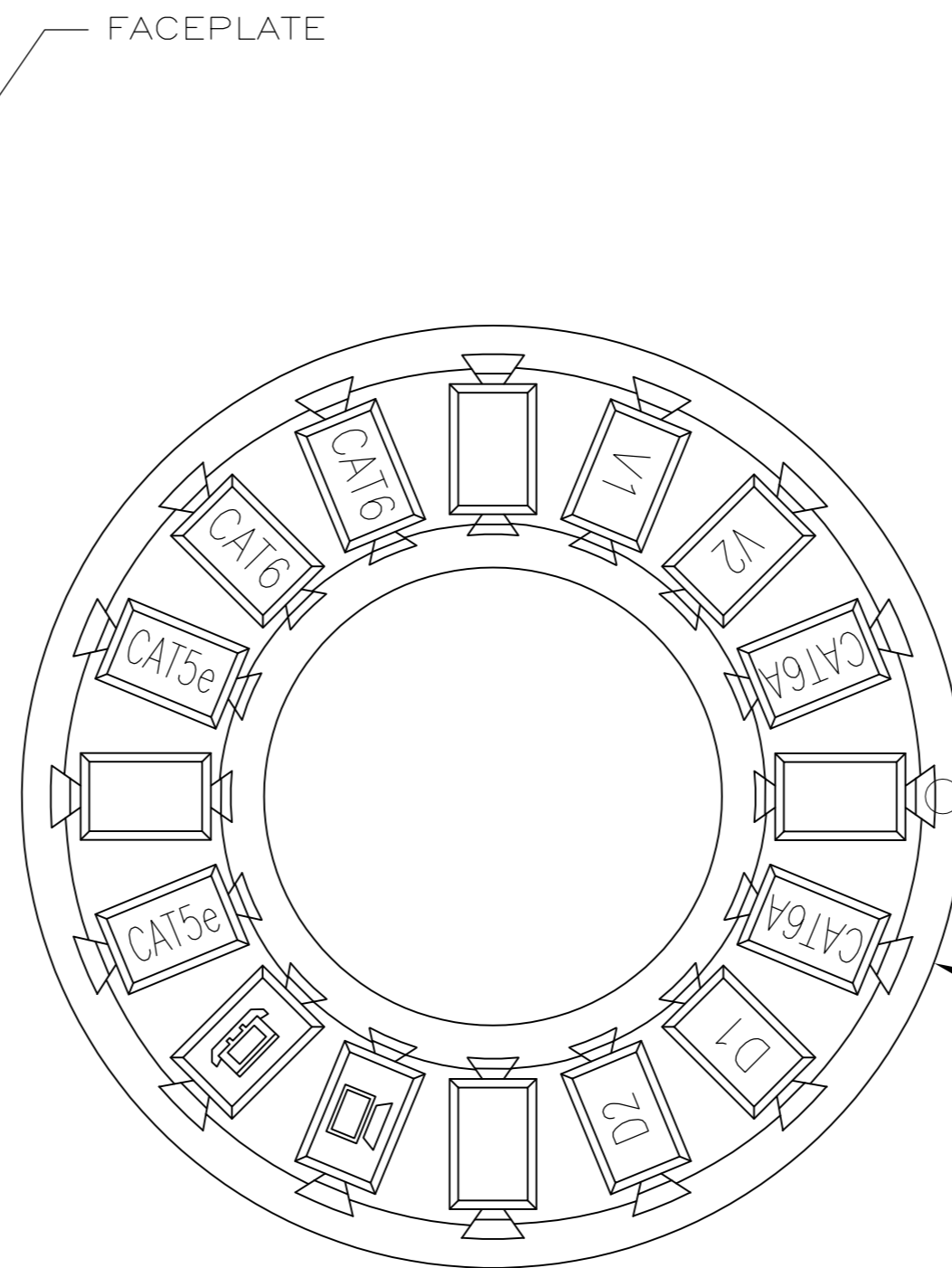
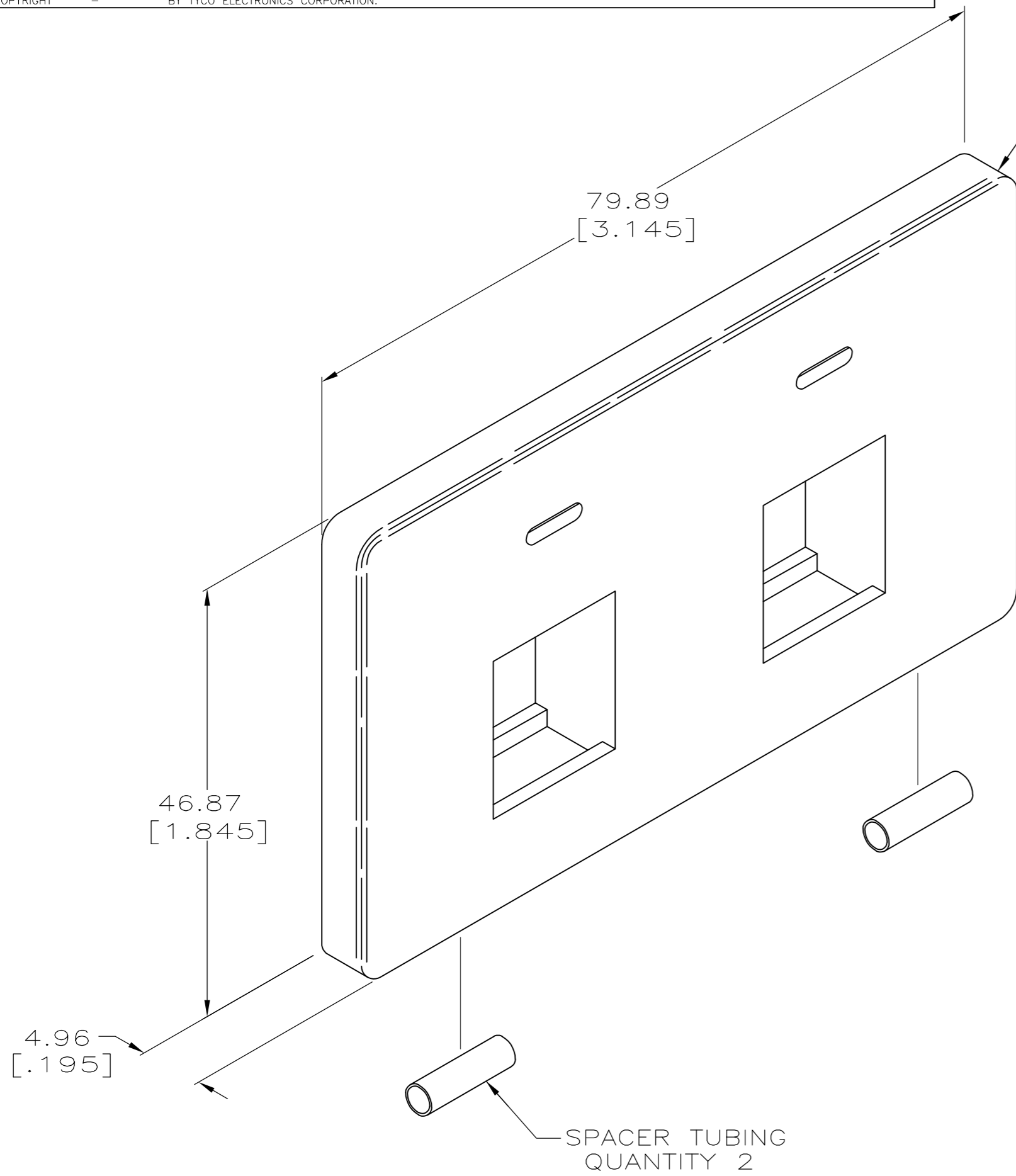
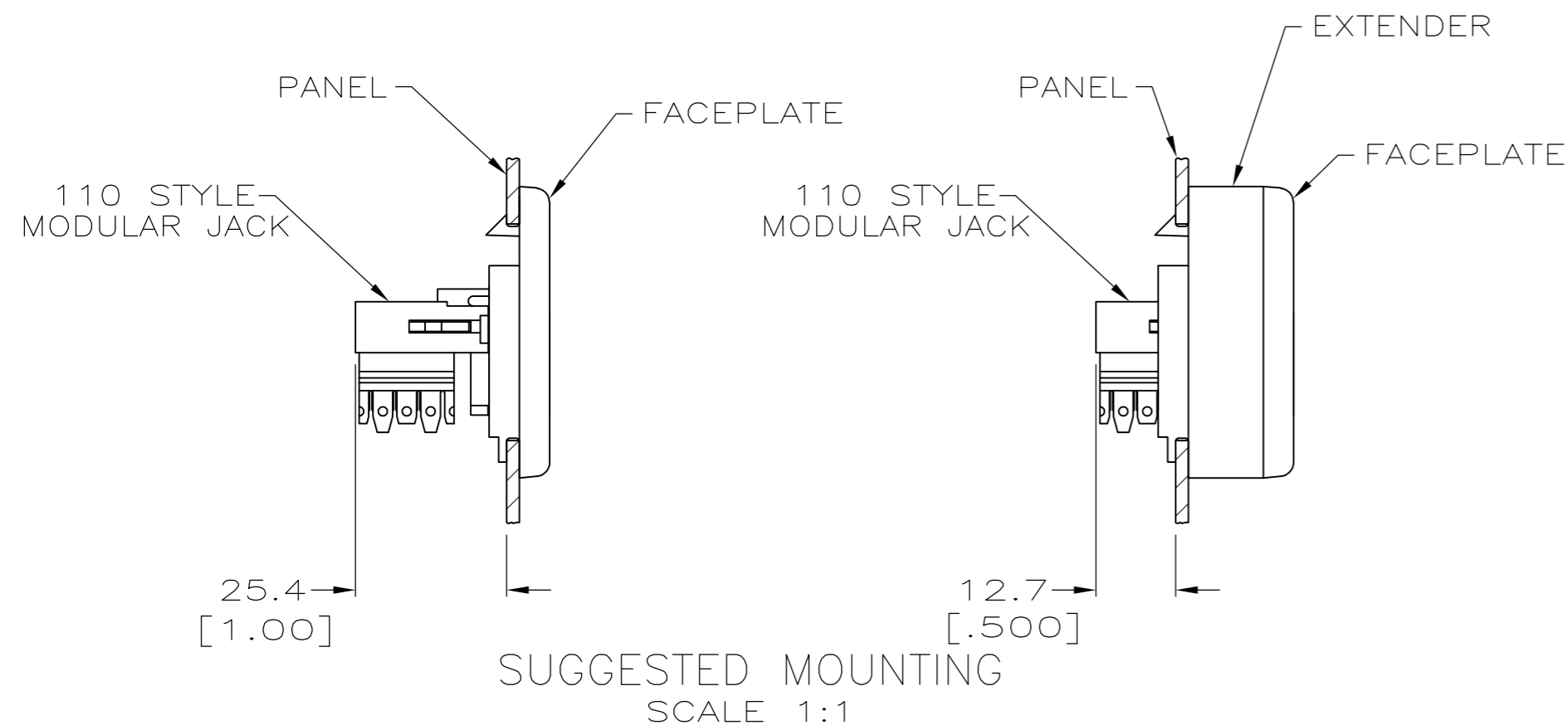


THIS DRAWING IS UNPUBLISHED. RELEASED FOR PUBLICATION
 © COPYRIGHT BY TYCO ELECTRONICS CORPORATION. ALL INTERNATIONAL RIGHTS RESERVED.

LOC	DIST	REVISIONS					
		P	LTR	DESCRIPTION	DATE	DWN	APVD
HM	00		E	REV ECO-09-023706	22OCT09	LH	RA
			F	REV ECO-10-011451	01JUN2010	LH	RA



RECOMMENDED PANEL CUTOUT



SUGGESTED MOUNTING SCALE 1:1

- 1 MATERIAL: FACEPLATE- POLYCARBONATE MOLDING COMPOUND, SEE TABLE FOR COLORS. ICON- ABS MOLDING COMPOUND, BLACK. SPACER TUBE- POLYOLEFIN, BLACK.
- 2 DIMENSIONS ARE MAXIMUM UNLESS OTHERWISE SPECIFIED.
- 3. THE FACEPLATE CAN BE INSTALLED INTO PANELS WHICH ARE 2.03 [.080] TO 1.14 [.045] THICK.

NEMA GRAY	558106-4
LT ALMOND	558106-2
BLACK	558106-1
COLOR	PART NO.

THIS DRAWING IS A CONTROLLED DOCUMENT.		DWN M.D.BYERLY 6-30-93	Tyco Electronics Corporation Harrisburg, PA 17105-3608	
DIMENSIONS: MM [INCHES]		CHK C.WHITT 8-4-93	NAME FACEPLATE KIT, 2 PORT, 110CONNECT, FLUSH MOUNT FLEX MODE	
TOLERANCES UNLESS OTHERWISE SPECIFIED:		APVD -	PRODUCT SPEC -	RESTRICTED TO -
0 PLC ± -	1	APPLICATION SPEC 408-3317	SIZE A2	CAGE CODE 00779
1 PLC ± -	2	WEIGHT -	DRAWING NO C=558106	SHEET 1 of 1
2 PLC ± -	3	MATERIAL -	SCALE 2:1	REV F
3 PLC ± -	4	FINISH -	CUSTOMER DRAWING	
4 PLC ± -	ANGLES ± -			

X-ON Electronics

Largest Supplier of Electrical and Electronic Components

Click to view similar products for [TE Connectivity](#) manufacturer:

Other Similar products are found below :

[D38999/24FJ4AN](#) [570416-000](#) [CLTEQ-M81CE-SSRELAY-4-20V](#) [4-1195131-0](#) [650069-000](#) [SMD100-2](#) [358838-000](#) [CB-1022B-78](#)
[RM707012](#) [RP410012](#) [MMS42](#) [1-640426-8](#) [2EDL4CM](#) [DTS20W19-11PD-3028-LC](#) [RM202615](#) [NC6-P104-06](#) [MSPS103B](#) [DTS26F21-41HE-LC](#) [DTS26F21-41AE](#) [DTS26F21-41PE-LC](#) [DTS26F21-11SE-3028-LC](#) [30DCB6](#) [1932144-1](#) [293545-4](#) [LVR125S](#) [MS27466T25F4PB](#)
[CKB-38-78010](#) [TR04AI-TINELLOCKRING](#) [1206SFF150F/63-2](#) [D38999/20JB35HA](#) [TE1500A2R2J](#) [D38999/20WC8BB](#) [DTS24F19-11SC-3028-LC](#) [D38999/24WG11HA](#) [D38999/24WG11HN](#) [MS27467T21F11H](#) [DJT16E21-11HA](#) [MS27467T21F35J](#) [MS27467T21F11J](#)
[MS27467T21F16H-LC](#) [MS27467T21F35H](#) [MS27467T21F41H-LC](#) [1206SFH150F/24-2](#) [RP330024](#) [DJT16E21-11PA-LC](#) [DJT16E21-11HA-LC](#) [DJT16E21-11AA](#) [MS27467T21B11JA](#) [DJT16E21-11JA](#) [MS27467T21B11JA-LC](#)