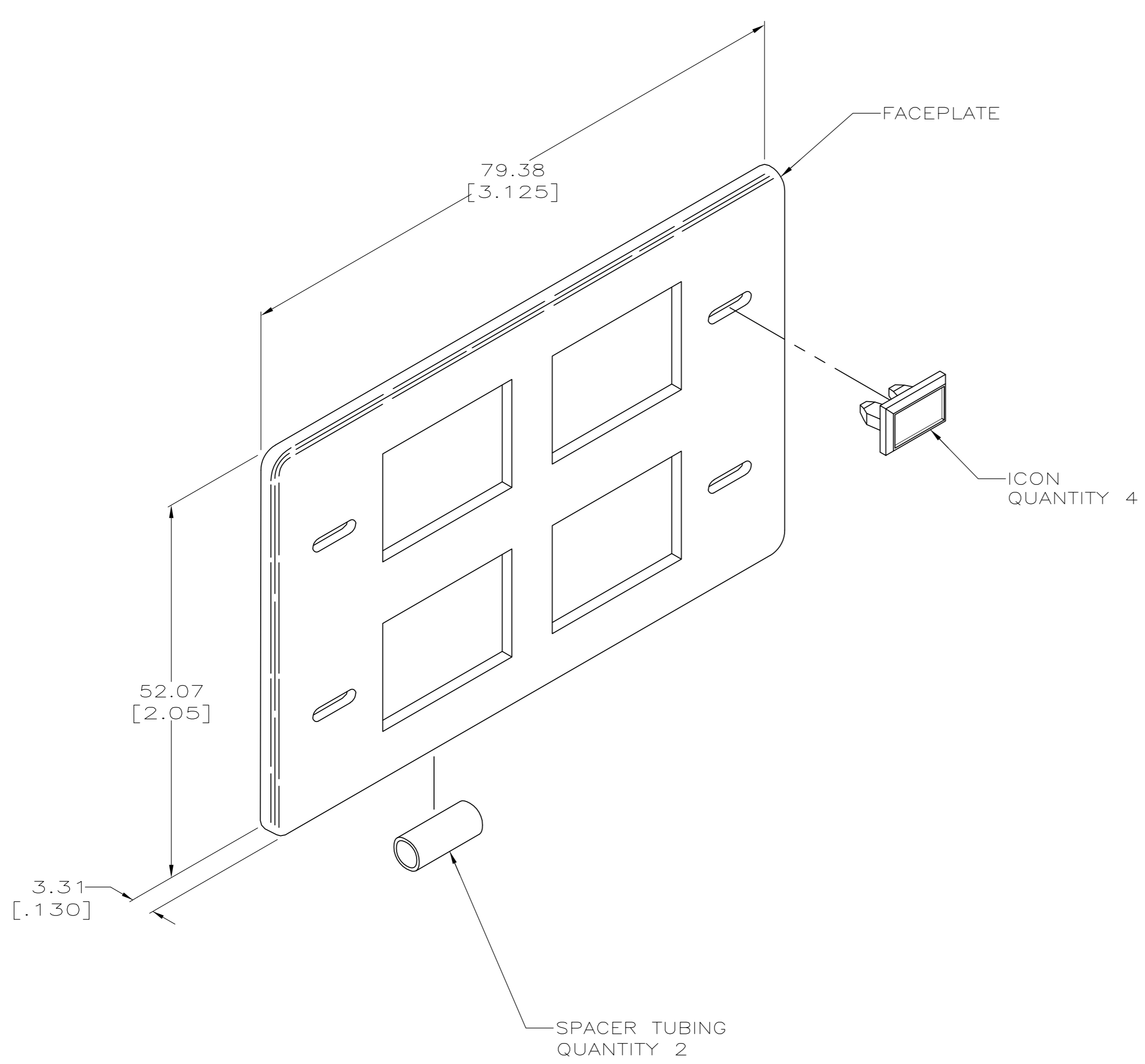


THIS DRAWING IS UNPUBLISHED. RELEASED FOR PUBLICATION
 © COPYRIGHT - By - ALL RIGHTS RESERVED.

LOC	DIST	REVISIONS					
HM	00	P	LTR	DESCRIPTION	DATE	DWN	APVD
		C		REV ECO-11-000935	14JAN2011	LH	RA
		D		REV ECO-11-007419	11APR2010	LH	RA



- 1. MATERIAL: FACEPLATE - POLYCARBONATE MOLDING COMPOUND, 94V-0 RATED. SEE TABLE FOR COLORS.
 ICON - ABS MOLDING COMPOUND, 94V-0, RATED. SEE TABLE FOR COLORS.
 SPACER TUBE - POLYOLEFIN, BLACK.
- 2. THIS KIT SHIPPED NOT ASSEMBLED.
- 3. DIMENSIONS ARE MAXIMUM UNLESS OTHERWISE SPECIFIED.
- 4. THIS FACEPLATE KIT IS TO BE USED IN THE HERMAN MILLER FURNITURE STYLES WITH ADDITIONAL MOUNTING HARDWARE AS LISTED BELOW:

ACTION OFFICE 1-USE 1 AMP ACCESSORY CLIP 608441-1.

ACTION OFFICE 2 (ENCORE)-USE 1 AMP BACKUP PLATE 608440-1.

ETHOSPACE-FOR ETHOSPACE MANUFACTURED PRIOR TO 1991, USE 1 AMP ACCESSORY CLIP 608441-1.
 FOR ETHOSPACE MANUFACTURED IN 1991 OR LATER, USE 1 AMP BACKUP PLATE 608440-1.
 FOR ETHOSPACE BELTLINE APPLICATIONS, NO ADDITIONAL MOUNTING HARDWARE IS REQUIRED.

NEMA GRAY	558191-4
LIGHT ALMOND	558191-2
BLACK	558191-1
COLOR	PART NO.

THIS DRAWING IS A CONTROLLED DOCUMENT.		DWN	9-24-93	STE TE Connectivity																									
		CHK	10-5-93																										
DIMENSIONS: MM [INCHES]		TOLERANCES UNLESS OTHERWISE SPECIFIED:		NAME																									
<table border="0"> <tr><td>0 PLC</td><td>± -</td></tr> <tr><td>1 PLC</td><td>± -</td></tr> <tr><td>2 PLC</td><td>± -</td></tr> <tr><td>3 PLC</td><td>± -</td></tr> <tr><td>4 PLC</td><td>± -</td></tr> <tr><td>ANGLES</td><td>± -</td></tr> <tr><td>FINISH</td><td>-</td></tr> </table>		0 PLC	± -	1 PLC	± -	2 PLC	± -	3 PLC	± -	4 PLC	± -	ANGLES	± -	FINISH	-	<table border="0"> <tr><td>APVD</td><td>-</td></tr> <tr><td>PRODUCT SPEC</td><td>-</td></tr> <tr><td>APPLICATION SPEC</td><td>-</td></tr> <tr><td>408-9956</td><td>-</td></tr> <tr><td>WEIGHT</td><td>-</td></tr> </table>		APVD	-	PRODUCT SPEC	-	APPLICATION SPEC	-	408-9956	-	WEIGHT	-	FACEPLATE KIT, 4 PORT, 110 JACKS, HERMAN MILLER	
0 PLC	± -																												
1 PLC	± -																												
2 PLC	± -																												
3 PLC	± -																												
4 PLC	± -																												
ANGLES	± -																												
FINISH	-																												
APVD	-																												
PRODUCT SPEC	-																												
APPLICATION SPEC	-																												
408-9956	-																												
WEIGHT	-																												
MATERIAL -		SIZE	CAGE CODE	DRAWING NO	RESTRICTED TO																								
-		A2	00779	C=558191	-																								
CUSTOMER DRAWING				SCALE	SHEET																								
				2:1	1 of 1																								
				REV	D																								

X-ON Electronics

Largest Supplier of Electrical and Electronic Components

Click to view similar products for [Wire Ducting & Raceways](#) category:

Click to view products by [TE Connectivity](#) manufacturer:

Other Similar products are found below :

[800A-LB](#) [801I-LSP](#) [802A-ECSP](#) [802I-ICSP](#) [923223-000](#) [PRAF6WH-X](#) [A0405538](#) [1301150342](#) [1301160034](#) [1301170070](#) [1301180011](#)
[1301230083](#) [1301230153](#) [1301240273](#) [1301250006](#) [1302261238](#) [1302261321](#) [1302262552](#) [1302263103](#) [1302263178](#) [1302263259](#)
[1302263816](#) [1302263860](#) [1302264375](#) [1302264390](#) [1301150343](#) [1301160030](#) [1301170050](#) [1301170051](#) [1301170061](#) [1301180013](#)
[1301230086](#) [1301230130](#) [1301240054](#) [1302260055](#) [1302260376](#) [1302261343](#) [1302261344](#) [1302262674](#) [1302263095](#) [1302263166](#)
[1302263209](#) [1302263513](#) [1302263851](#) [1302263870](#) [1302264137](#) [1302264218](#) [DD1/J](#) [AX102007](#) [AX102411](#)