

4

3

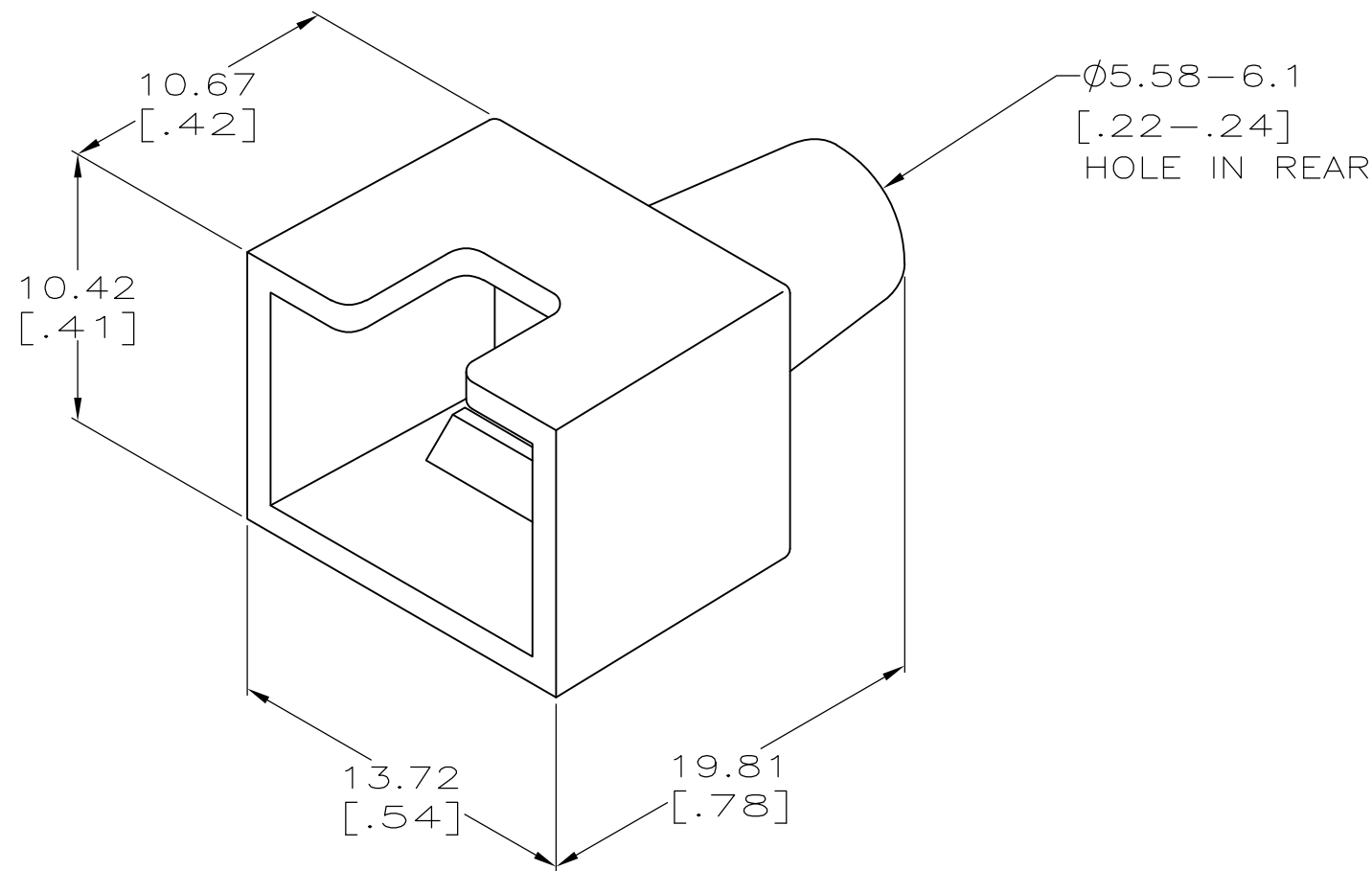
2

1

THIS DRAWING IS UNPUBLISHED. RELEASED FOR PUBLICATION - , - .  
 © COPYRIGHT - By - ALL RIGHTS RESERVED.

LOC	DIST	REVISIONS			
P	LTR	DESCRIPTION	DATE	DWN	APVD
HM	00	A1	REVISED PER ECO-11-005033	22MAR11	RK HMR

- ① MATERIAL: ELASTOMER POLYOLEFIN, SEE TABLE FOR COLOR.
- ② DIMENSIONS ARE MAXIMUM UNLESS OTHERWISE SPECIFIED.



VIOLET	558211-9
WHITE	558211-8
ORANGE	558211-7
YELLOW	558211-6
BLUE	558211-5
GREEN	558211-4
RED	558211-3
LT ALMOND	558211-2
BLACK	558211-1
COLOR	PART NO.

THIS DRAWING IS A CONTROLLED DOCUMENT.		DWN D.L. DRUMMOND 8-10-94	TE Connectivity			
DIMENSIONS: mm[INCHES]		CHK D. HUSSEY 8-19-94				
		APVD B. ANTHONY 26AUG1994	NAME BOOT, MODULAR PLUG			
TOLERANCES UNLESS OTHERWISE SPECIFIED: 0 PLC ± - 1 PLC ± - 2 PLC ± - 3 PLC ± - 4 PLC ± - ANGLES ± -		PRODUCT SPEC -	RESTRICTED TO -			
MATERIAL -		FINISH -	APPLICATION SPEC -	SIZE A3	CAGE CODE 00779	DRAWING NO C-558211
MATERIAL ① FINISH -			WEIGHT -	CUSTOMER DRAWING		SCALE 4:1
			SHEET 1 of 1		REV A1	

## X-ON Electronics

Largest Supplier of Electrical and Electronic Components

*Click to view similar products for [Heat Shrink Cable Boots & End Caps](#) category:*

*Click to view products by [TE Connectivity](#) manufacturer:*

Other Similar products are found below :

[577159N001](#) [645494-000](#) [CX4132-000](#) [687025-000](#) [705331-000](#) [718446-000](#) [725666N001](#) [729257-000](#) [F27131-000](#) [F85868-000](#) [770-003S106W2](#) [770-013210W1](#) [770-013311](#) [770-013312](#) [806542N001](#) [807507-000](#) [808362-000](#) [808618-000](#) [809125-000](#) [809130-000](#) [809218-000](#) [812014-000](#) [812047-000](#) [813166-000](#) [813767N002](#) [814741-000](#) [819117N001](#) [823026-000](#) [823070-000](#) [825002-000](#) [841189N001](#) [861471-000](#) [866647-000](#) [879515-000](#) [937577-000](#) [957073-000](#) [982033-2](#) [A77813-000](#) [R280576000](#) [D96192-000](#) [163549-000](#) [EN3BOOTLKIT](#) [MTPSRBCL-C](#) [1954015-1](#) [200W531-3-0](#) [202A163-4-0-CS5067](#) [202A343-3-00-0](#) [202B221-13-0](#) [202B231-13-0](#) [202B563-25-07-0](#)