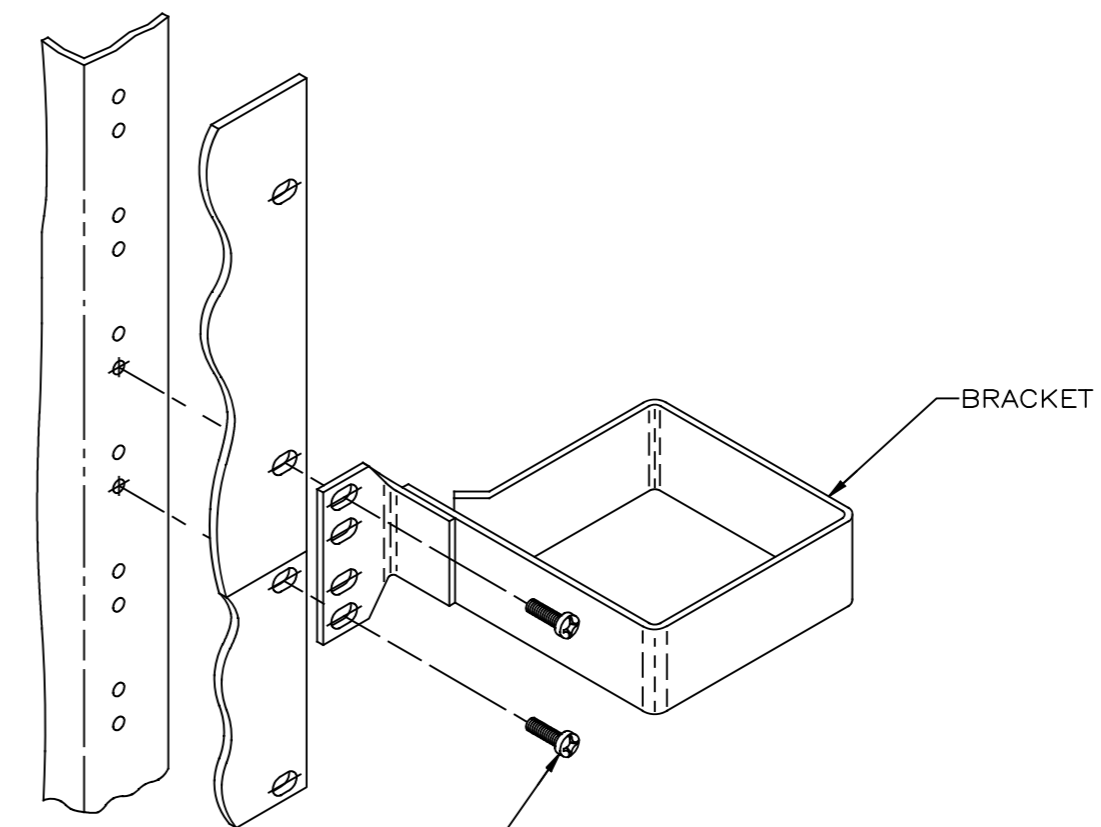
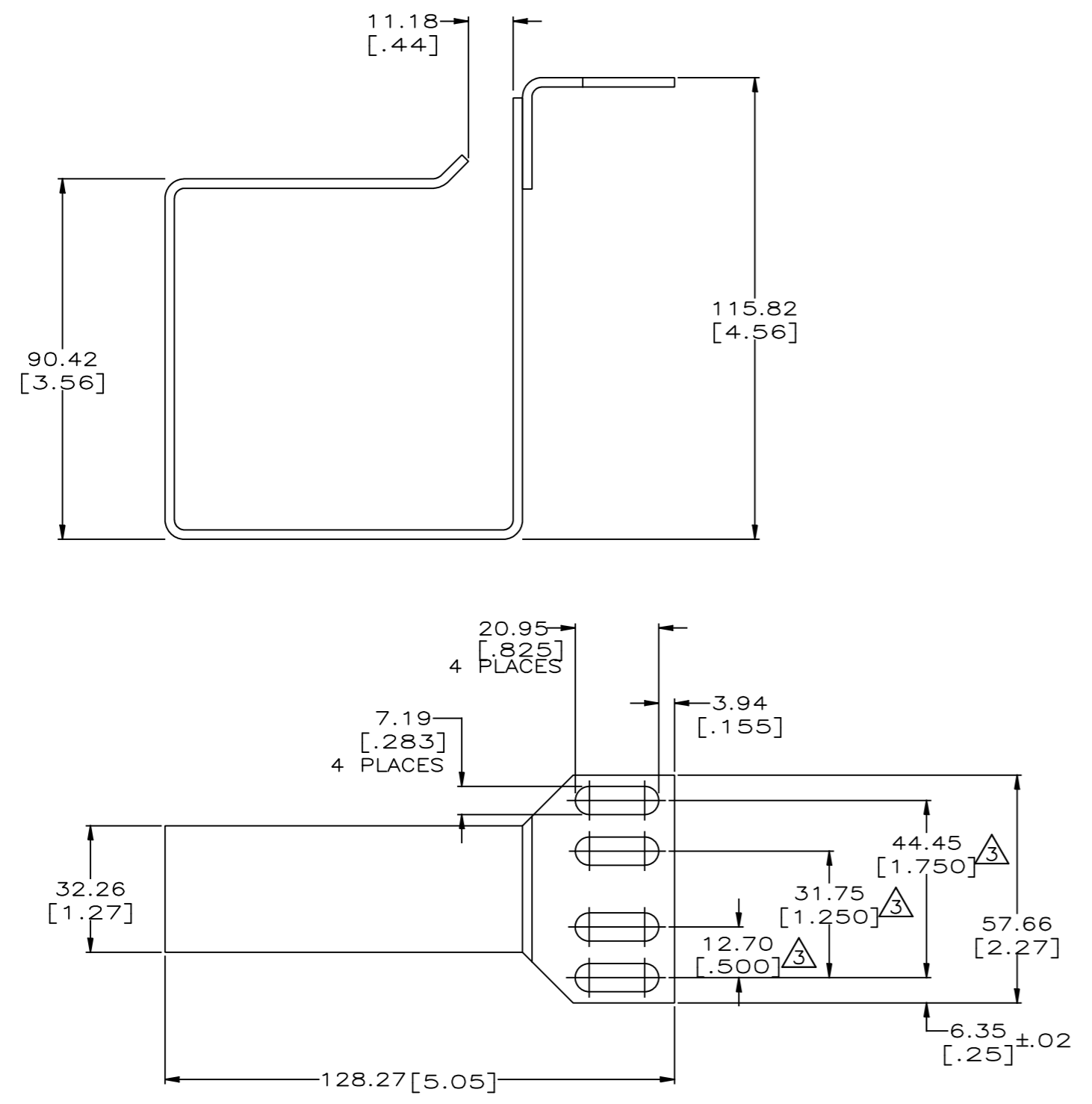


REVISIONS				
P	LTR	DESCRIPTION	DATE	OWN
F		REV; EC 0502-0244-97	15MAY97	DS
G		REV PER BNS_CD_BRAND	31JAN17	GG DC

- ① DIMENSIONS MAXIMUM UNLESS OTHERWISE SPECIFIED.
- ② MATERIAL:
BRACKET—BLACK PAINTED CARBON STEEL.
SCREWS—BLACK CARBON STEEL.
- ③ THE TOLERANCE FOR THESE DIMENSIONS ARE ± 0.13 [.005].



CROSS RECESSED PAN
HEAD SCREW
12-24 X 12.7 [.50]
QUANTITY 2
OR
CROSS RECESSED SCREW
10-32 X 12.7 [.50]
QUANTITY 2

MAY BE INSTALLED DIRECTLY
TO RACK OR OVER PANELS

558334-1
PART NO

THIS DRAWING IS A CONTROLLED DOCUMENT.		DWN D. STRAUSSER 1-17-94	COMMSCOPE, INC.	
DIMENSIONS: mm [INCHES]		CHK C. WHITT 1-25-94	MANAGEMENT RING KIT, VERTICAL	
TOLERANCES UNLESS OTHERWISE SPECIFIED:		APVD J. BONDS 1-31-94	NAME	
0 PLC	±	1	PRODUCT SPEC	---
1 PLC	±	1	APPLICATION SPEC	---
2 PLC	±	1	SIZE	A1
3 PLC	±	1	CAGE CODE	---
4 PLC	±	1	DRAWING NO	558334
ANGLES	±	1	RESTRICTED TO	---
FINISH	---	1	WEIGHT	---
MATERIAL	---	1	CUSTOMER DRAWING	SCALE 1:1 SHEET 1 OF 1 REV G

X-ON Electronics

Largest Supplier of Electrical and Electronic Components

Click to view similar products for [Modular Connectors / Ethernet Connectors](#) category:

Click to view products by [TE Connectivity](#) manufacturer:

Other Similar products are found below :

[8949-H88/06BLKA/SN](#) [74441-0010/BKN](#) [MP1010RX-1000](#) [MP44RX-1000](#) [PHJ-4P4C-1-V-4](#) [PHP-6P6C-5](#) [GAX-3-66](#) [GAX-8-62](#) [GDCX-PA-66-50](#) [GDCX-PN-64](#) [GDCX-PN-66](#) [GDCX-PN-66-50](#) [GDLX-A-66](#) [GDLX-N-66](#) [GDLX-S-66](#) [GDLX-S-88K](#) [GDTX-S-88-50](#) [GDX-PA-1010](#) [GLX-N-1010M-BLK](#) [GLX-S-88M-BLK](#) [GMX-N-1010](#) [GMX-S-1010](#) [GMX-S-66](#) [GMX-SMT4-N-88](#) [GPX-2-64](#) [GSGX-N-2-88](#) [GSGX-N-4-88](#) [GSX-NS2-88-3.05](#) [GSX-NS2-88-3.05-50](#) [GSX-NS-88-3.05-50](#) [PT-108A-8C-UL](#) [PT-J951-8C](#) [PTS-J531-8CS-50UL](#) [1-1775629-2](#) [A-2014-0-4](#) [GWLX-S-88-GR](#) [GWLX-S9-88-YG](#) [DC-1021-8-WH-6](#) [1300530003](#) [1324640-4](#) [RJ11FTVC2G](#) [RJ11FTVC2N](#) [RJFTVX2SA1G](#) [132764-001](#) [1413235](#) [MP88X-1000](#) [MPS88RX-5000](#) [E5288-S000K3-L](#) [E5908-15A242-L](#) [155302-001](#)