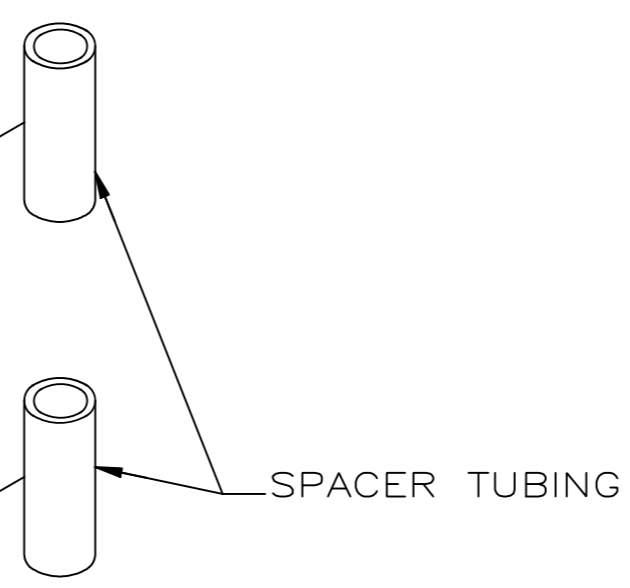
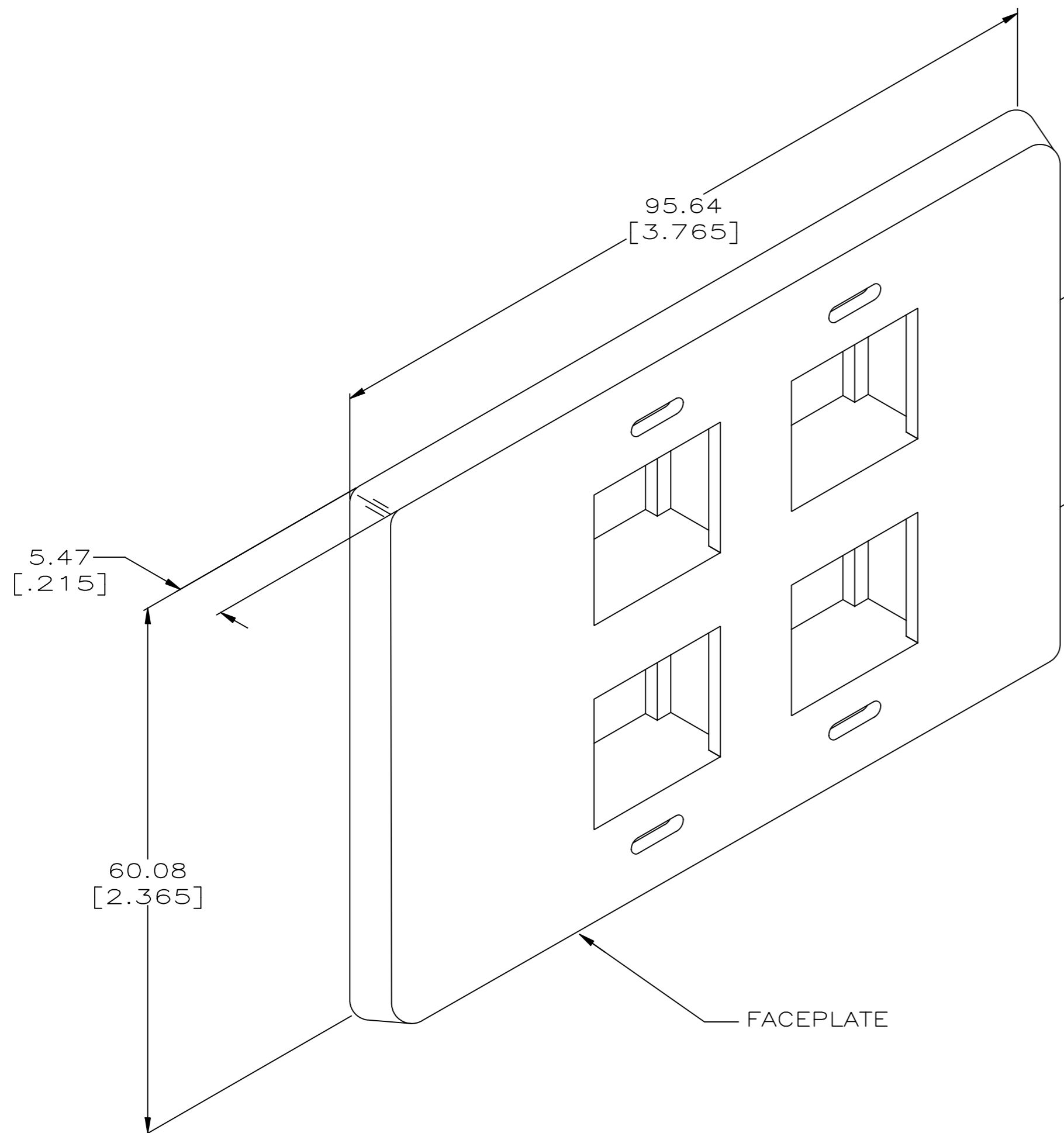


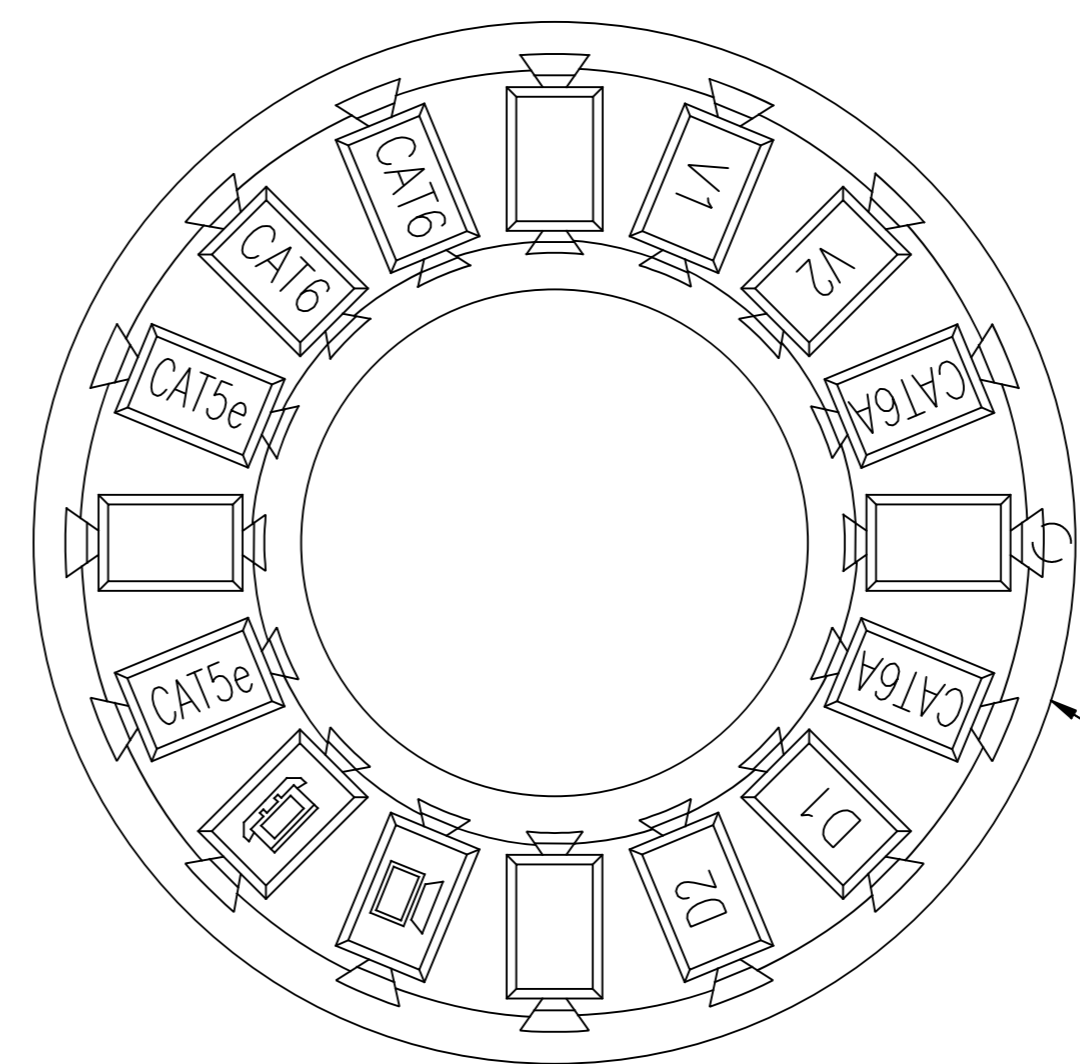
THIS DRAWING IS UNPUBLISHED. RELEASED FOR PUBLICATION

© 2016 Commscope, INC. Confidential NOTICE: These drawings and specifications are the proprietary property of COMMSCOPE, INC. and may be used only for the specific purpose authorized in writing by COMMSCOPE, INC.

LOC	DIST	REVISIONS					
		P	LTR	DESCRIPTION	DATE	DWN	APVD
HM	00	B		REV ECO-09-023707	23OCT09	LH	RA
		C		REV ECO-10-011451	01JUN2010	LH	RA
		D		REV PER BNS_CD_BRAND	16JAN2017	GG	DC



- 1 DIMENSIONS ARE MAXIMUM UNLESS OTHERWISE SPECIFIED.
- 2 MATERIAL: FACEPLATE- POLYCARBONATE MOLDING COMPOUND, BLACK.
SPACER TUBE- POLYOLEFIN, BLACK.
ICON- ABS MOLDING COMPOUND.



ICON WHEEL
VOICE, DATA
CATEGORY
QUANTITY 1

NEMA GRAY	558357-4
SOFT WHITE	558357-2
BLACK	558357-1
COLOR	PART NO.

THIS DRAWING IS A CONTROLLED DOCUMENT.

DWN B. SIMPSON 3-3-94	<p>COMMSCOPE, INC.</p> <p>FACEPLATE KIT, 4 PORT, 110 JACKS, FLUSH MOUNTING, HERMAN/MILLER, FLEXMODE</p>
CHK C. WHITT 3-16-94	
APVD -	
PRODUCT SPEC -	
APPLICATION SPEC 408-9956	NAME
WEIGHT -	SIZE A2
CUSTOMER DRAWING	CAGE CODE -
	DRAWING NO C=558357
	RESTRICTED TO -
	SCALE 2:1
	SHEET 1 of 1
	REV D

DIMENSIONS:	TOLERANCES UNLESS OTHERWISE SPECIFIED:
INCHES	
	0 PLC ± - 1
	1 PLC ± - 2
	2 PLC ± - 3
	3 PLC ± - 4
	4 PLC ± -
	ANGLES ± -
MATERIAL	FINISH
2	-

558357

A

X-ON Electronics

Largest Supplier of Electrical and Electronic Components

Click to view similar products for [Modular Connectors / Ethernet Connectors](#) category:

Click to view products by [TE Connectivity](#) manufacturer:

Other Similar products are found below :

[8949-H88/06BLKA/SN](#) [74441-0010/BKN](#) [MP1010RX-1000](#) [MP44RX-1000](#) [PHJ-4P4C-1-V-4](#) [PHP-6P6C-5](#) [GAX-3-66](#) [GAX-8-62](#) [GDCX-PA-66-50](#) [GDCX-PN-64](#) [GDCX-PN-66](#) [GDCX-PN-66-50](#) [GDLX-A-66](#) [GDLX-N-66](#) [GDLX-S-66](#) [GDLX-S-88K](#) [GDTX-S-88-50](#) [GDX-PA-1010](#) [GLX-N-1010M-BLK](#) [GLX-S-88M-BLK](#) [GMX-N-1010](#) [GMX-S-1010](#) [GMX-S-66](#) [GMX-SMT4-N-88](#) [GPX-2-64](#) [GSGX-N-2-88](#) [GSGX-N-4-88](#) [GSX-NS2-88-3.05](#) [GSX-NS2-88-3.05-50](#) [GSX-NS-88-3.05-50](#) [PT-108A-8C-UL](#) [PT-J951-8C](#) [PTS-J531-8CS-50UL](#) [1-1775629-2](#) [A-2014-0-4](#) [GWLX-S-88-GR](#) [GWLX-S9-88-YG](#) [DC-1021-8-WH-6](#) [1300530003](#) [1324640-4](#) [RJ11FTVC2G](#) [RJ11FTVC2N](#) [RJFTVX2SA1G](#) [132764-001](#) [1413235](#) [MP88X-1000](#) [MPS88RX-5000](#) [E5288-S000K3-L](#) [E5908-15A242-L](#) [155302-001](#)