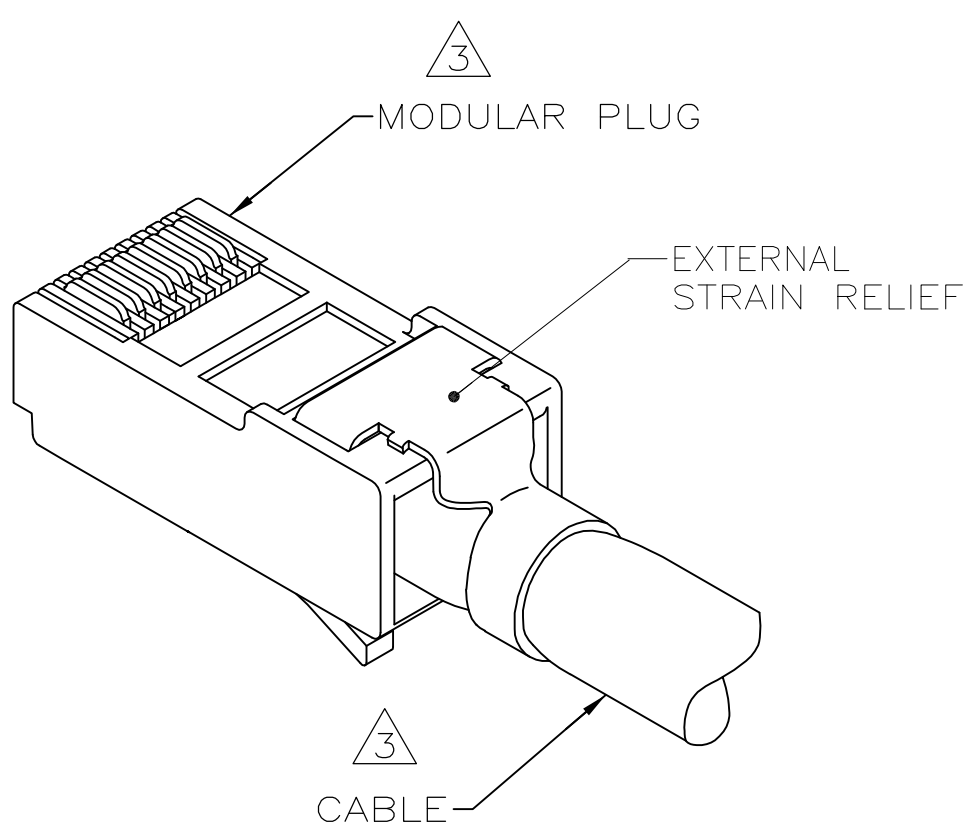
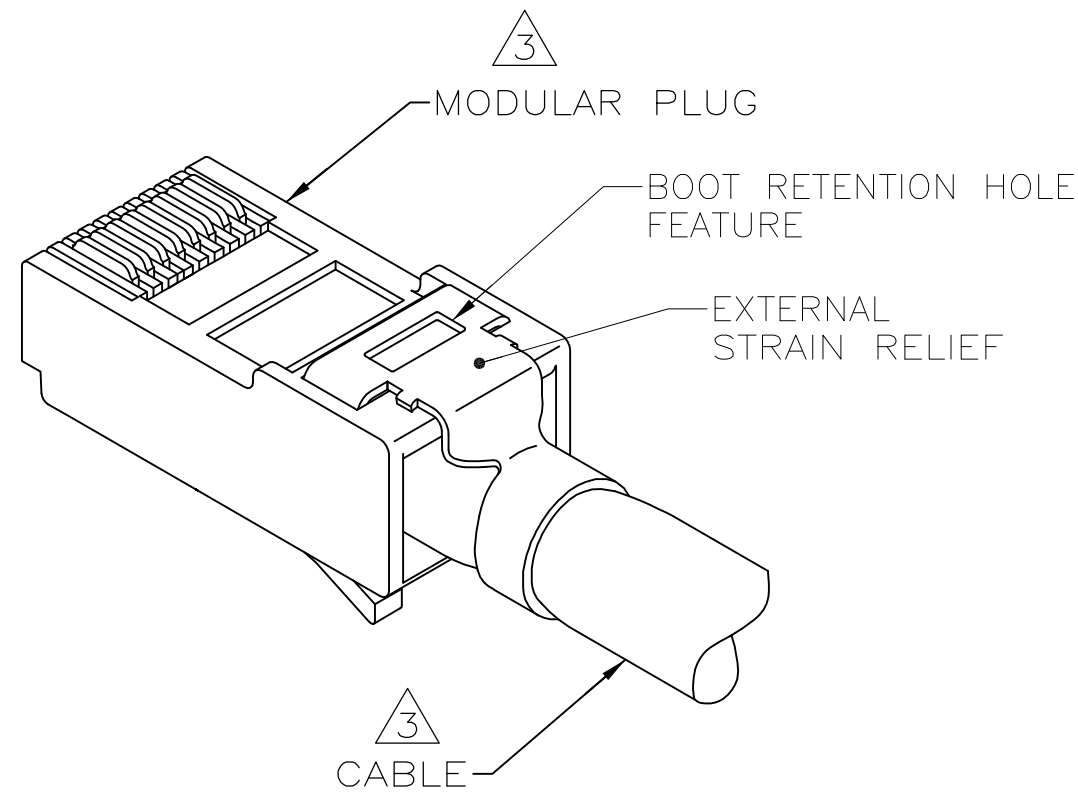


THIS DRAWING IS UNPUBLISHED. RELEASED FOR PUBLICATION  
 © COPYRIGHT - By - ALL RIGHTS RESERVED.

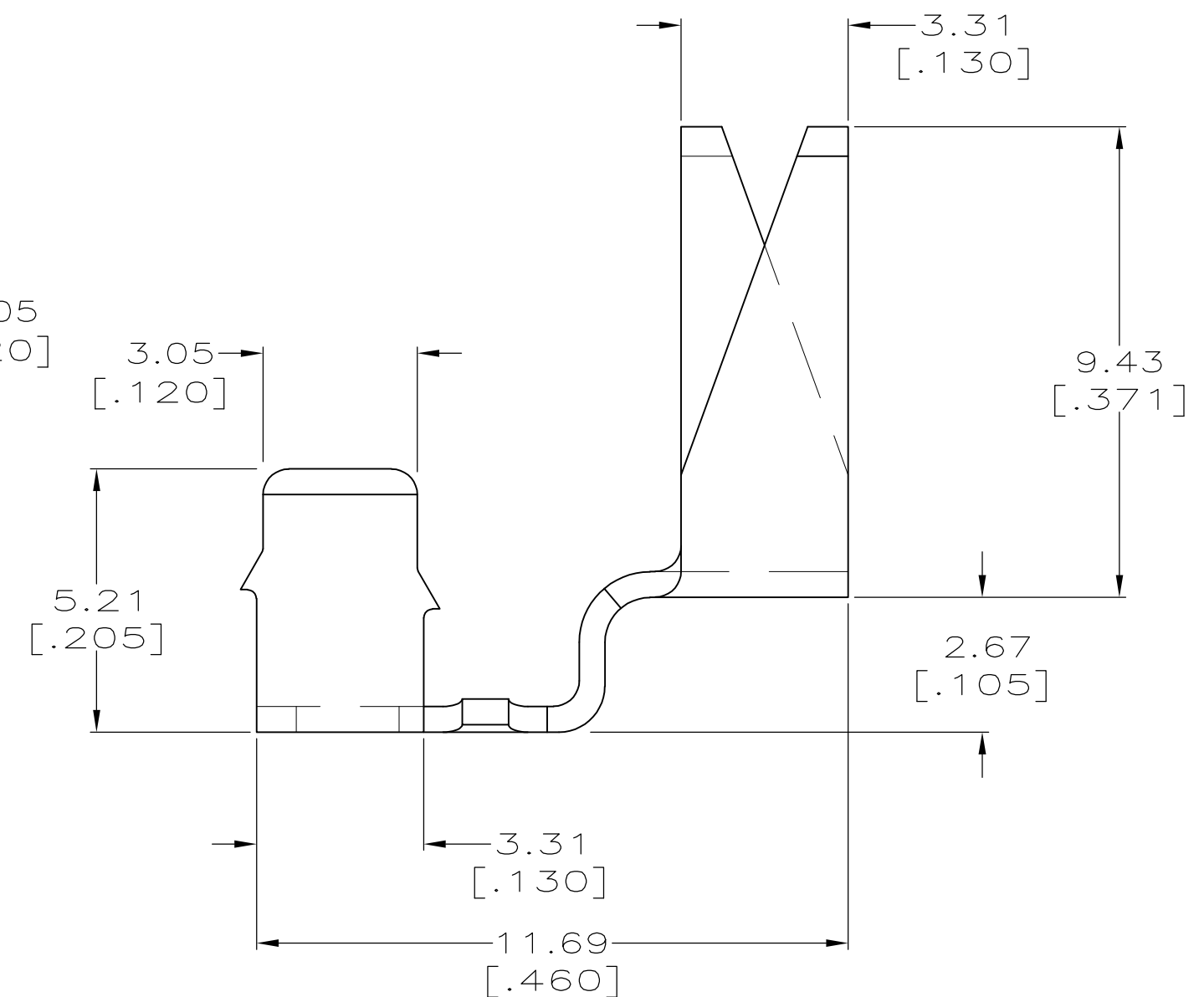
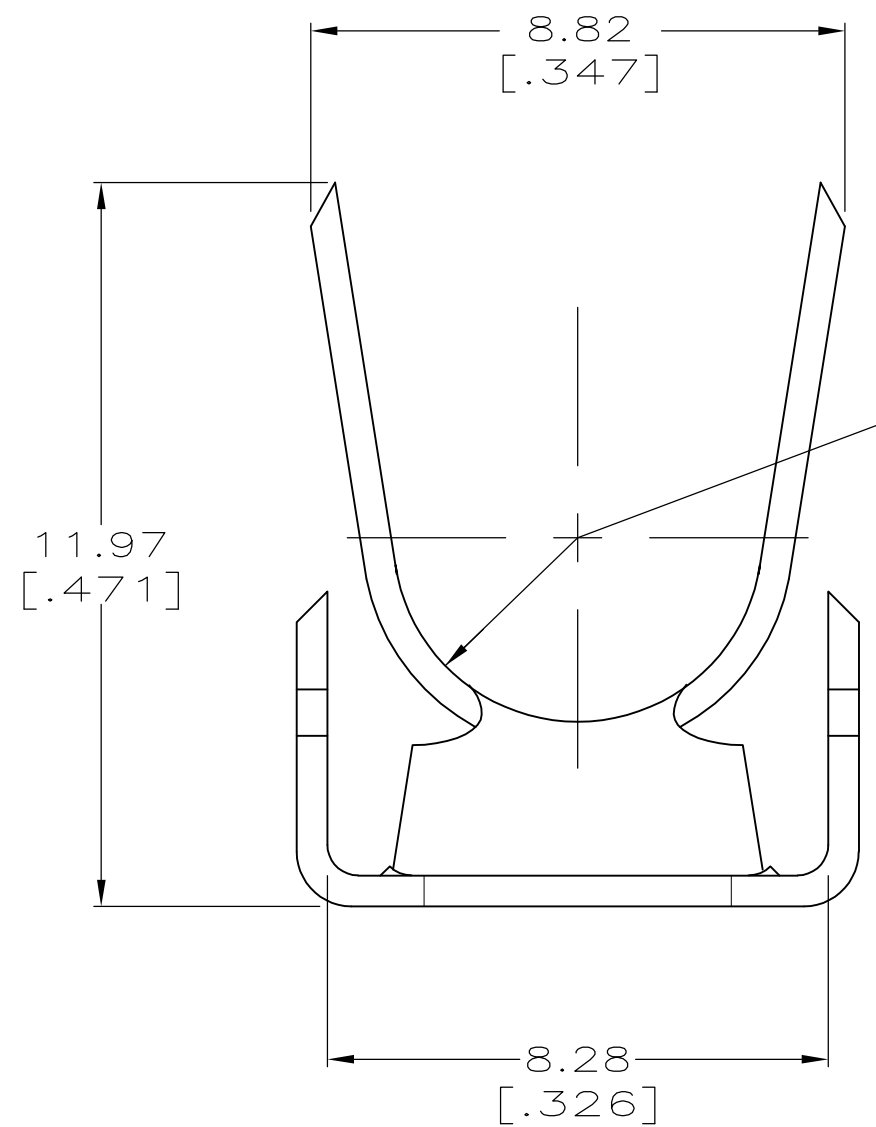
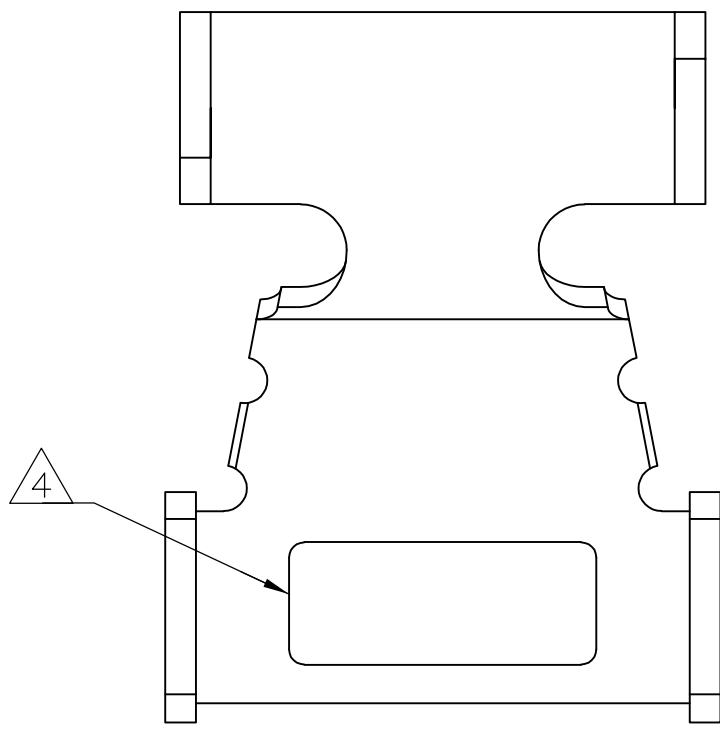
LOC	DIST	REVISIONS					
AA	22	P	LTR	DESCRIPTION	DATE	DWN	APVD
		D1		REVISED PER ECO-11-005140	28MAR11	RK	HMR



VIEW OF A PROPERLY APPLIED 558527-3

VIEW OF A PROPERLY APPLIED 558527-1

- ⚠ ALL DIMENSIONS ARE MAXIMUM UNLESS OTHERWISE SPECIFIED.
- ⚠ MATERIAL: BRIGHT PURE TIN PLATED BRASS.
- ⚠ MODULAR PLUG AND CABLE FURNISHED BY CUSTOMER.
- ⚠ 558527-3 HAS A 2.03 x 5.08 [.080 x .200] RECTANGULAR HOLE FOR RETENTION OF AMP MODULAR PLUG BOOT.
- 5. THESE EXTERNAL STRAIN RELIEF ACCESSORIES CAN BE UTILIZED ON ANY AMP BRAND 8 POSITION OR 10 POSITION MODULAR PLUG AS SHOWN.



LEAD FREE

⚠	558527-3
WITHOUT HOLE	558527-1
DESCRIPTION	PART NO.

THIS DRAWING IS A CONTROLLED DOCUMENT.		DWN	G. GARRETT	9-20-95		TE Connectivity		
DIMENSIONS: mm [INCHES]		CHK	C. WHITT	10-5-95		NAME		
TOLERANCES UNLESS OTHERWISE SPECIFIED:		APVD	E. LAURER	10-12-95		STRAIN RELIEF, EXTERNAL, MODULAR PLUG, 8 OR 10 POSITION		
0 PLC ± -		PRODUCT SPEC	N/A	SIZE		CAGE CODE	DRAWING NO	RESTRICTED TO
1 PLC ± -		APPLICATION SPEC	408-4167	WEIGHT	A2	00779	C=558527	
2 PLC ± -		MATERIAL	⚠	CUSTOMER DRAWING	SCALE	8:1	SHEET	
3 PLC ± -		FINISH	⚠				1 of 1	
4 PLC ± -							REV	
ANGLES ± -							D1	

- 558527

## X-ON Electronics

Largest Supplier of Electrical and Electronic Components

*Click to view similar products for [Modular Connectors / Ethernet Connectors](#) category:*

*Click to view products by [TE Connectivity](#) manufacturer:*

Other Similar products are found below :

[8949-H88/06BLKA/SN](#) [74441-0010/BKN](#) [MP1010RX-1000](#) [MP44RX-1000](#) [PHJ-4P4C-1-V-4](#) [PHP-6P6C-5](#) [GAX-3-66](#) [GAX-8-62](#) [GDCX-PA-66-50](#) [GDCX-PN-64](#) [GDCX-PN-66](#) [GDCX-PN-66-50](#) [GDLX-A-66](#) [GDLX-N-66](#) [GDLX-S-66](#) [GDLX-S-88K](#) [GDTX-S-88-50](#) [GDX-PA-1010](#) [GLX-N-1010M-BLK](#) [GLX-S-88M-BLK](#) [GMX-N-1010](#) [GMX-S-1010](#) [GMX-S-66](#) [GMX-SMT4-N-88](#) [GPX-2-64](#) [GSGX-N-2-88](#) [GSGX-N-4-88](#) [GSX-NS2-88-3.05](#) [GSX-NS2-88-3.05-50](#) [GSX-NS-88-3.05-50](#) [PT-108A-8C-UL](#) [PT-J951-8C](#) [PTS-J531-8CS-50UL](#) [1-1775629-2](#) [A-2014-0-4](#) [GWLX-S-88-GR](#) [GWLX-S9-88-YG](#) [DC-1021-8-WH-6](#) [1300530003](#) [1324640-4](#) [RJ11FTVC2G](#) [RJ11FTVC2N](#) [RJFTVX2SA1G](#) [132764-001](#) [1413235](#) [MP88X-1000](#) [MPS88RX-5000](#) [E5288-S000K3-L](#) [E5908-15A242-L](#) [155302-001](#)