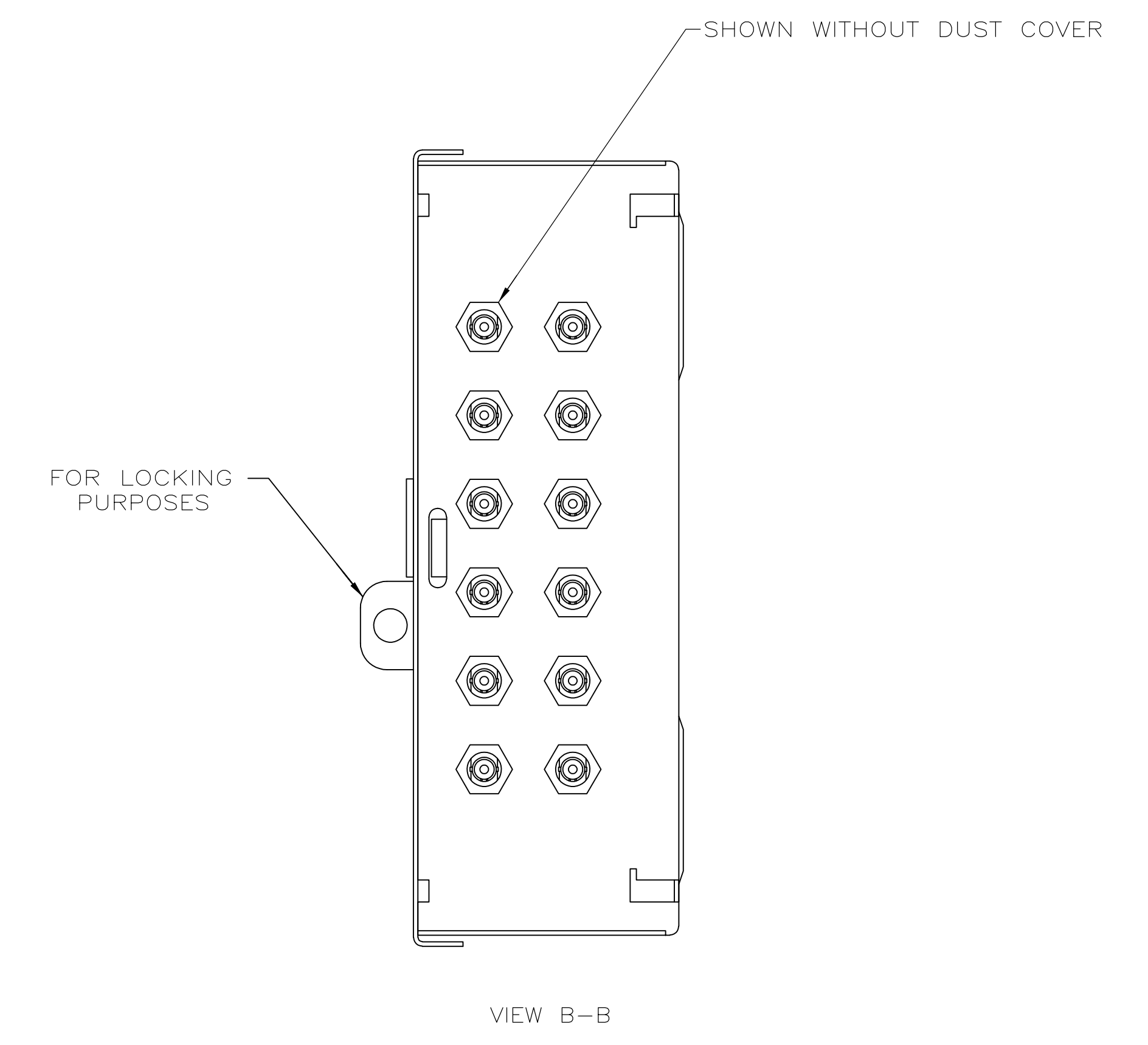
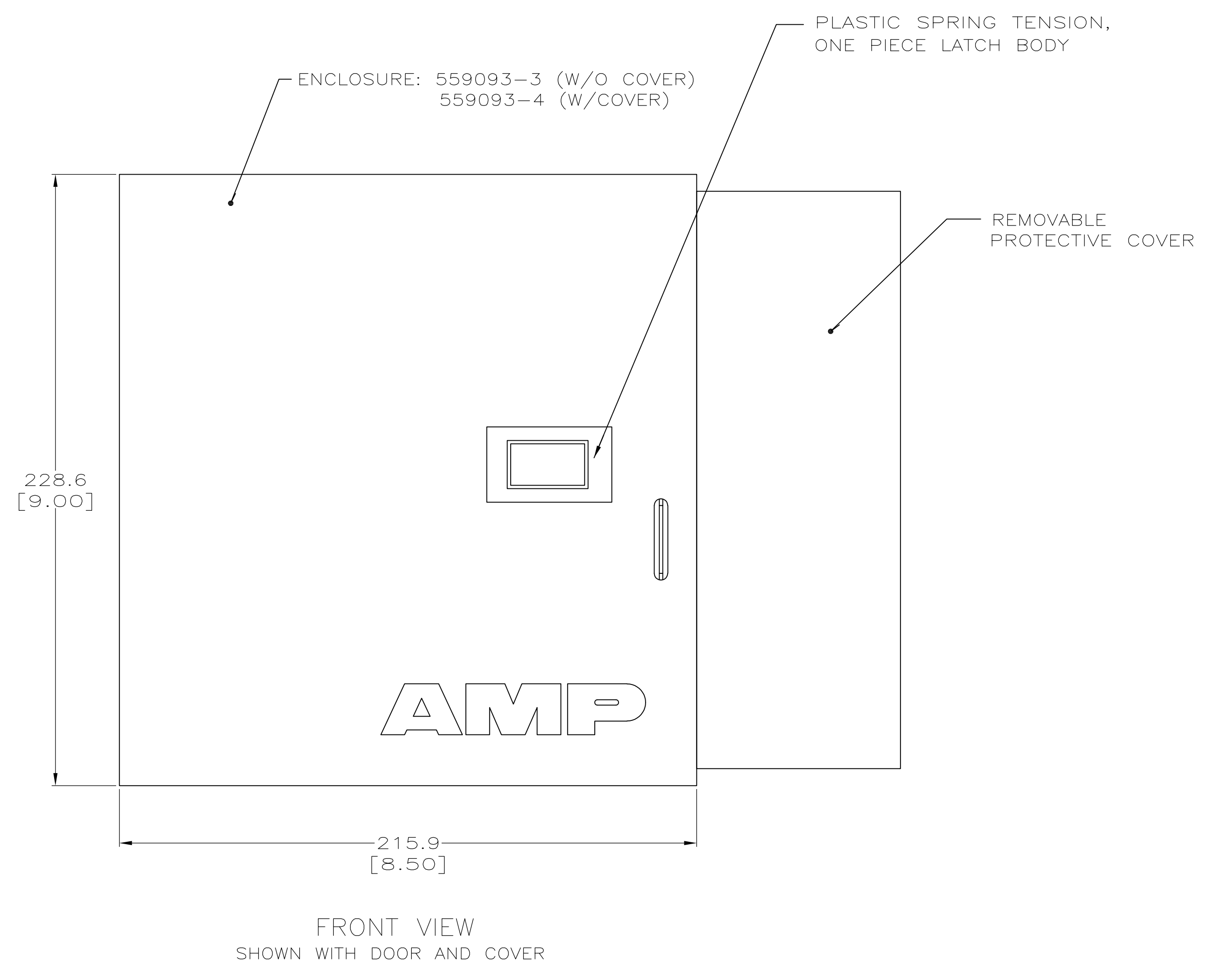
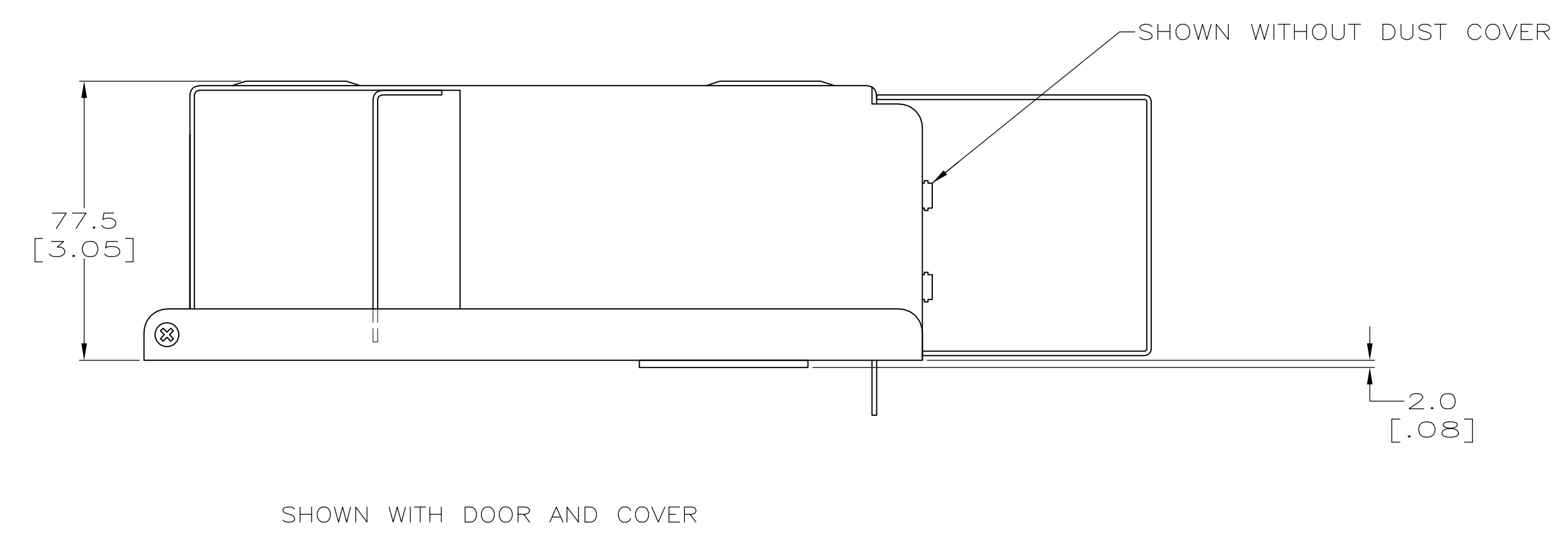


OBSELETE	MULTIMODE	LIGHT ALMOND	WITH PROTECTIVE COVER	559094-6
OBSELETE	MULTIMODE	LIGHT ALMOND	WITHOUT PROTECTIVE COVER	559094-5
OBSELETE	SINGLEMODE	BLACK ANODIZED	WITH PROTECTIVE COVER	559094-4
OBSELETE	SINGLEMODE	BLACK ANODIZED	WITHOUT PROTECTIVE COVER	559094-3
OBSELETE	MULTIMODE	BLACK ANODIZED	WITH PROTECTIVE COVER	559094-2
OBSELETE	MULTIMODE	BLACK ANODIZED	WITHOUT PROTECTIVE COVER	559094-1
	COUPLING BUSHING	FINISH	DESCRIPTION	PART NO.
DIMENSIONS		TOLERANCES UNLESS OTHERWISE SPECIFIED	DWG: R. R. SCHAEFER 2-7-91 DWG: C. HOFFER 2-7-91 NAME: J. EBERLE PRODUCT SPEC: — APPLICATION SPEC: — SIZE: — LOCK CODE: — DRAWING NO: A0 00779 AMP INCORPORATED HARRISBURG, PA. 17105-3608 ASSEMBLY, ENCLOSURE DISTRIBUTION PANEL 12/PT. ST'S, WALL MTD SIZE: 75.1 SHEET: 1 of 2 REV: D	
MATERIAL	ALUMINUM	FINISH	WEIGHT	CUSTOMER DRAWING

LOC	DIRT	REV	DATE	BY	APP'D
EW	16				

REVISIONS		DATE	BY	APP'D
F	LNK			
C	SEE SHEET #1			

1. LABELS: ALL DESIGNATION AND WARNING LABELS ARE PLACED IN A BAG INSIDE THE ENCLOSURE
 TWO (2) 12-LINE FIBER PATCH PORT LABELS
 TWO (2) WARNING LABELS



DIMENSIONS		TOLERANCES UNLESS OTHERWISE SPECIFIED		DWG. R. R. SCHAEFFER 2-7-94	
mm		mm		DWG. C. HOFFER 2-7-94	
± .13		± .13		DWG. J. EBERLE 2-7-94	
± .02		± .02		NAME	
± .01		± .01		ASSEMBLY, ENCLOSURE DISTRIBUTION	
± .005		± .005		PANEL 12/PT. ST'S, WALL MTD	
± .0025		± .0025		SIZE	
± .001		± .001		A0 00779	
± .0005		± .0005		C-559094	
± .00025		± .00025		SCALE	
± .0001		± .0001		75:1	
± .00005		± .00005		SHEET	
± .000025		± .000025		2 of 2	
± .00001		± .00001		REV	
± .000005		± .000005		D	

X-ON Electronics

Largest Supplier of Electrical and Electronic Components

Click to view similar products for [Fibre Optic Connectors](#) category:

Click to view products by [TE Connectivity](#) manufacturer:

Other Similar products are found below :

[0004700001](#) [6100-R](#) [6313](#) [F709034706](#) [F709722200](#) [F709730000](#) [F718183204](#) [F727403500](#) [F727752800](#) [8119](#) [9440F20-27S-190](#) [944-120-6001](#) [9441F10SL-3S](#) [9444W28-21S](#) [9444W36-10S](#) [9446F10SL-4S](#) [9446W20-16S](#) [953-101-5310-P](#) [954-101-57202B](#) [A0270169](#) [12-9122](#) [12-5702](#) [AX101713](#) [AX102420](#) [AX103923](#) [AX104024](#) [AX104193](#) [AX104230](#) [AX104498](#) [AX104562](#) [AX105203-B25](#) [AX105205-S1](#) [EHSC2M](#) [181-011-126](#) [181-011-S](#) [181-057-126](#) [HRFC-R2\(40\)](#) [NKSOPBUY](#) [20500002116](#) [2064996-1](#) [20800001065](#) [2170](#) [9132](#) [2612](#) [2620](#) [9291](#) [9440F16-10S](#) [9440F20-18S](#) [9446F16-10S-190](#) [953-106-50231](#)