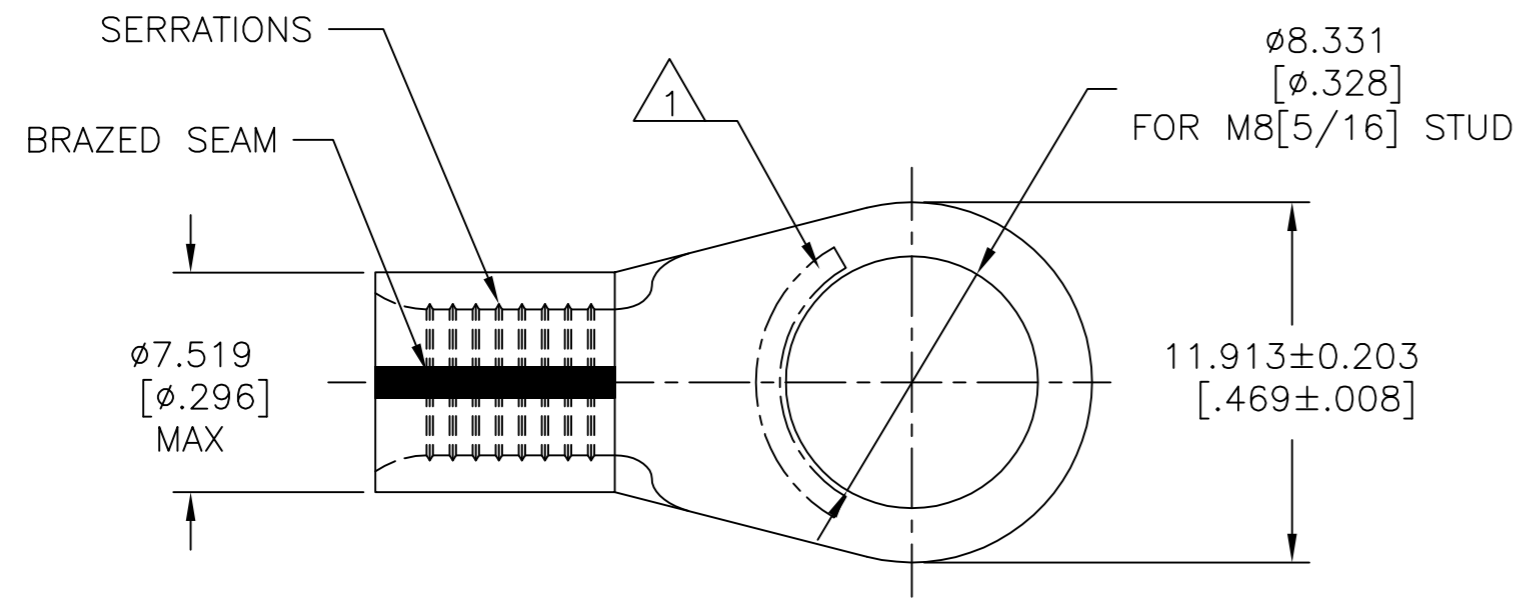


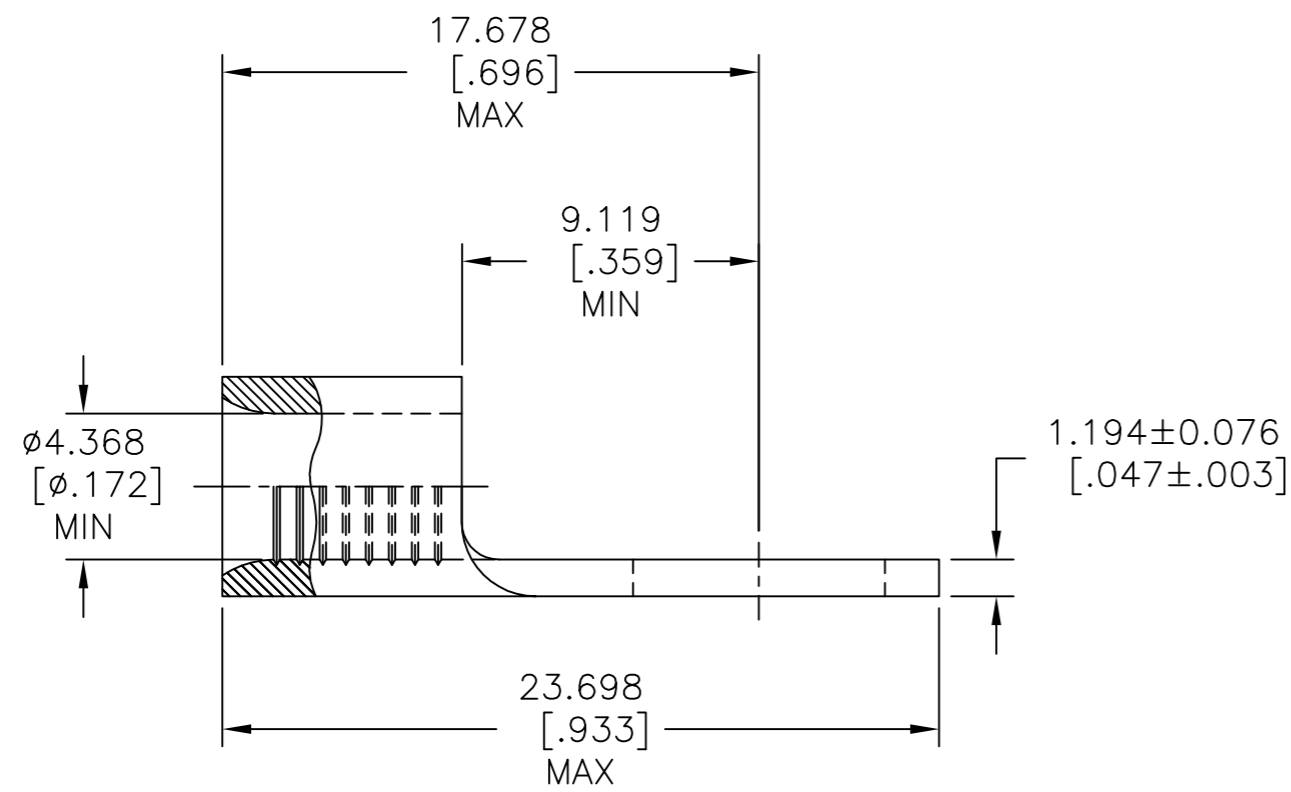
THIS DRAWING IS UNPUBLISHED. RELEASED FOR PUBLICATION  
 © COPYRIGHT - TE Connectivity ALL RIGHTS RESERVED.

| REVISIONS |     |                           |           |     |      |
|-----------|-----|---------------------------|-----------|-----|------|
| P         | LTR | DESCRIPTION               | DATE      | DWN | APVD |
| B1        |     | REV PER ECR 09-027810     | 29DEC09   | JR  | TM   |
| B2        |     | REVISED PER ECO-17-016547 | 14NOV2017 | RS  | DR   |



|                            |                       |                            |
|----------------------------|-----------------------|----------------------------|
| <b>AMP</b><br>WIRE RANGE   | Listed<br>FILE E13288 | LR7189<br>Certified        |
| 8 AWG<br>SOLID OR STRANDED | 8 AWG<br>STRANDED     | 8 AWG<br>SOLID OR STRANDED |

- 1 STAMP AMP 8\* APPROX AS SHOWN.
- 2 NOTE DELETED.
- 3 COPPER PER ASTM B-152, ANNEALED.
- 4 TIN PLATE 0.00254 [.000100] MIN THK PER ASTM B-545.



|      |               |          |
|------|---------------|----------|
| 1000 | ON TAPE, REEL | 55991-2  |
| 100  | LOOSE PIECE   | 55991-1  |
| QTY  | PACKAGE TYPE  | PART NO. |

|  |   |                            |                                |                            |
|--|---|----------------------------|--------------------------------|----------------------------|
| MAX RECOMMENDED OPERATING TEMPERATURE:<br>170°C[338°F] MAX             | THIS DRAWING IS A CONTROLLED DOCUMENT.  |                            | DWN<br>DK_SCHRUM<br>19AUG94    | TE Connectivity            |
|  | VOLTAGE RATING:<br>N/A  | DIMENSIONS:<br>mm [INCHES] | CHK<br>DA PATTERSON<br>23AUG94 |                            |
| CIRCULAR MIL AREA:<br>6.64-10.5mm²[13,100-20,800]<br>SOLID OR STRANDED | TOLERANCES UNLESS OTHERWISE SPECIFIED:<br>0 PLC ± -<br>1 PLC ± -<br>2 PLC ± -<br>3 PLC ± 0.127[.005]<br>4 PLC ± -<br>ANGLES ± -<br>FINISH | MATERIAL<br>3              | APVD<br>JL MECKLEY<br>23AUG94  | PRODUCT SPEC<br>UL 486 A-B |
|  |   |                            | APPLICATION SPEC               | SIZE<br>A2                 |
|  |   |                            | WEIGHT<br>-                    | CAGE CODE<br>00779         |
|  |   |                            | CUSTOMER DRAWING               | DRAWING NO<br>C=55991      |
|  |   |                            |                                | RESTRICTED TO<br>-         |
|  |   |                            |                                | SCALE<br>4:1               |
|  |   |                            |                                | SHEET<br>1 of 1            |
|  |   |                            |                                | REV<br>B2                  |

55991

## X-ON Electronics

Largest Supplier of Electrical and Electronic Components

*Click to view similar products for [Terminals](#) category:*

*Click to view products by [TE Connectivity](#) manufacturer:*

Other Similar products are found below :

[00-054007-01074-6](#) [00-054007-70206-1](#) [00-054007-70210-8](#) [00-054007-70217-7](#) [00-054007-70226-9](#) [00-054007-70228-3](#) [00-054007-70248-1](#) [00-054007-70256-6](#) [00-054007-70301-3](#) [00-054007-70316-7](#) [00-054007-49560-4](#) [00-054007-70209-2](#) [00-054007-70225-2](#) [00-054007-70227-6](#) [00-054007-70231-3](#) [00-054007-70241-2](#) [00-054007-70242-9](#) [00-054007-70244-3](#) [00-054007-70246-7](#) [00-054007-70263-4](#) [00-054007-70288-7](#) [00-054007-70290-0](#) [00-054007-70300-6](#) [00-054007-70304-4](#) [01-2065-1-0216](#) [01-2900-1-04412](#) [00581P0075](#) [600TS-10](#) [60205-1](#) [604200-1](#) [605601-1](#) [60598-1-CUT-TAPE](#) [61314-6-C](#) [61810-3](#) [61-S](#) [61-SN](#) [626-0194](#) [62-NBM-A](#) [62-SN](#) [62-SP](#) [63-S](#) [640179-1](#) [M55155/059I03](#) [M55155/079C01](#) [M55155/099H02](#) [M55155/109H01](#) [M55155/109H02](#) [M55155/12XH05](#) [M55155/16XH02](#) [M55155/29-5S](#)