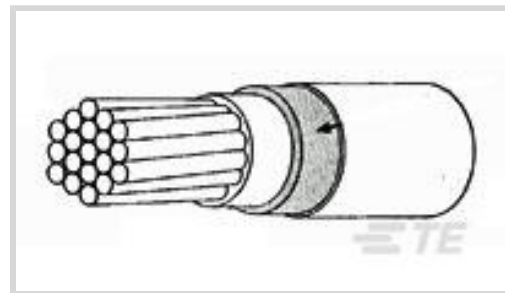




Wire & Cable > Hook Up Wire



Cable Type: **Spec 55F**

Voltage Rating: **600 V**

Insulation Material: **Radiation-Crosslinked, Modified PVDF**

Conductor Material: **Tin-Coated Copper**

Wire Size: **14 AWG**

## Features

### Product Type Features

Product Type	Cable
Product Classification	Cable - High Performance - Spec 44, 55 & RCW
Cable Style	Primary
Cable Type	Spec 55F

### Configuration Features

Number of Conductors	1
Number of Strands	19

### Electrical Characteristics

Voltage Rating	600 V
----------------	-------

### Body Features

Jacket Color	Violet
Wire Color	Violet
Insulation Material	Radiation-Crosslinked, Modified PVDF
Conductor Material	Tin-Coated Copper

### Dimensions

Wire Diameter	2.413 mm[.095 in]
Overall Outside Diameter	2.413 mm[.095 in]
Conductor Diameter	1.752 mm[.069 in]



Cable Insulation Thickness	.051 mm
----------------------------	---------

Strand Size	27 AWG
-------------	--------

Wire Size	2.08 mm <sup>2</sup>
-----------	----------------------

### Usage Conditions

Operating Temperature Range	-65 – 150 °C
-----------------------------	--------------

### Other

Wire Source	United States
-------------	---------------

## Product Compliance

[For compliance documentation, visit the product page on TE.com>](#)

EU RoHS Directive 2011/65/EU	Compliant
------------------------------	-----------

EU ELV Directive 2000/53/EC	Compliant
-----------------------------	-----------

China RoHS 2 Directive MIIT Order No 32, 2016	No Restricted Materials Above Threshold
---	---

EU REACH Regulation (EC) No. 1907/2006	Current ECHA Candidate List: JAN 2019 (197) Candidate List Declared Against: JAN 2019 (197)
--	--


Halogen Content	Out of Scope - excluded from Halogen requirements
-----------------	---

Solder Process Capability	Not applicable for solder process capability
---------------------------	--

#### Product Compliance Disclaimer

This information is provided based on reasonable inquiry of our suppliers and represents our current actual knowledge based on the information they provided. This information is subject to change. The part numbers that TE has identified as EU RoHS compliant have a maximum concentration of 0.1% by weight in homogenous materials for lead, hexavalent chromium, mercury, PBB, PBDE, DBP, BBP, DEHP, DIBP, and 0.01% for cadmium, or qualify for an exemption to these limits as defined in the Annexes of Directive 2011/65/EU (RoHS2). Finished electrical and electronic equipment products will be CE marked as required by Directive 2011/65/EU. Components may not be CE marked. Additionally, the part numbers that TE has identified as EU ELV compliant have a maximum concentration of 0.1% by weight in homogenous materials for lead, hexavalent chromium, and mercury, and 0.01% for cadmium, or qualify for an exemption to these limits as defined in the Annexes of Directive 2000/53/EC (ELV). Regarding the REACH Regulations, TE's information on SVHC in articles for this part number is still based on the European Chemical Agency (ECHA) 'Guidance on requirements for substances in articles' (Version: 2, April 2011), applying the 0.1% weight on weight concentration threshold at the finished product level. TE is aware of the European Court of Justice ruling of September 10th, 2015 also known as O5A (Once An Article Always An Article) stating that, in case of 'complex object', the threshold for a SVHC must be applied to both the product as a whole and simultaneously to each of the articles forming part of its composition. TE has evaluated this ruling based on the new ECHA "Guidance on requirements for substances in articles" (June 2017, version 4.0) and will be updating its statements accordingly.

## Customers Also Bought



TE Part #958461-000  
322C512-71-0



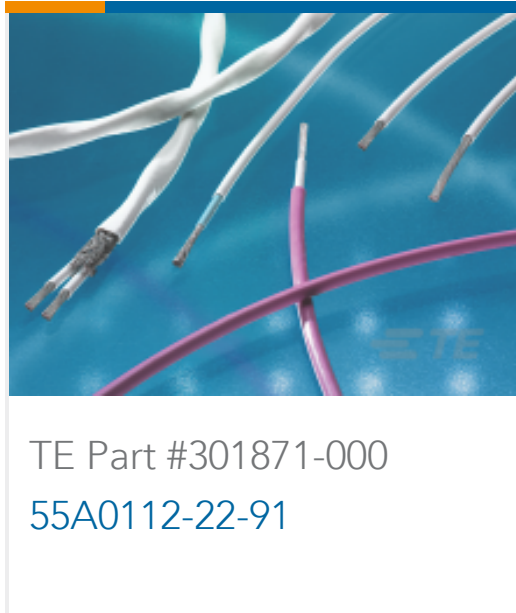
TE Part #551947-000  
301A513-71-0




TE Part #1-1617145-2  
JMGAC-26PW = M39016  
/17-042P



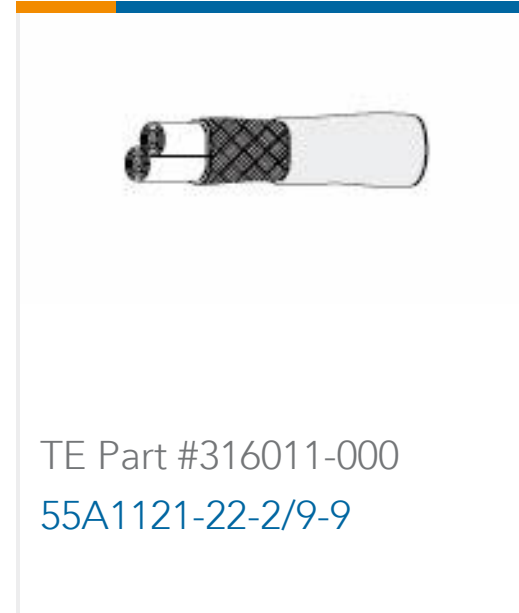
TE Part #597513-000  
55A0112-22-90



TE Part #301871-000  
55A0112-22-91



TE Part #151595-000  
55A0112-22-93



TE Part #316011-000  
55A1121-22-2/9-9



TE Part #C45603-000  
BND40AB00-2216A



TE Part #D40879-000  
BND41AC00-1006A



TE Part #517179-000  
D-500-0458-2-612-012

## Documents

[Product Drawings](#)  
[55FA0511-14-7L](#)

English

[Datasheets & Catalog Pages](#)  
[1654025\\_Sec9\\_55F](#)

English

[Product Specifications](#)  
[Product Specification](#)

English

## X-ON Electronics

Largest Supplier of Electrical and Electronic Components

*Click to view similar products for [Hook-up Wire](#) category:*

*Click to view products by [TE Connectivity](#) manufacturer:*

Other Similar products are found below :

[002333-000](#) [M81044/12-22-6](#) [M81044/9-8-9](#) [CV5509-000](#) [743094-001](#) [81044/12-18-9CS3209](#) [8538-009-1000](#) [ATFC0311-20-5D](#) [EF5675-000](#) [BFWUL3239-24-PINK](#) [22759/34-16-9CS2621](#) [22759/42-24-9CS2620](#) [933205-000](#) [284711-000](#) [961473-000](#) [99M0111-20-2](#) [A00594-000](#) [190571-000](#) [22759/41-12-9CS2620](#) [22759/41-16-9CS2620](#) [22759/43-10-9CS2873](#) [265925-000](#) [CM9524-000](#) [31510-010-250](#) [31514-009-500](#) [34401-010-250](#) [34402-010-500](#) [34430-010-250](#) [M81044/9-4-9](#) [391441-BK007](#) [400R0111-10-9](#) [431660-000](#) [ATFC0311-20-0](#) [ATFC0311-20-3](#) [44/7024-26-9-9](#) [44A0112-22-9CS3184](#) [456157-000](#) [55/0312-26-6L-CS2570](#) [31514-010-4000](#) [55A0811-12-9](#) [55A6087-20-9-9-9](#) [55A6315-22-9-9CS2632](#) [55A7400-22-9/96-9CS2275](#) [55A9002-30-5](#) [55PC0211-20-5CS2502](#) [55PC0811-6-9CS2637](#) [55PC1211-22-9-9CS3278](#) [C07683-000](#) [32820-009-5000](#) [34020-008-2000](#)