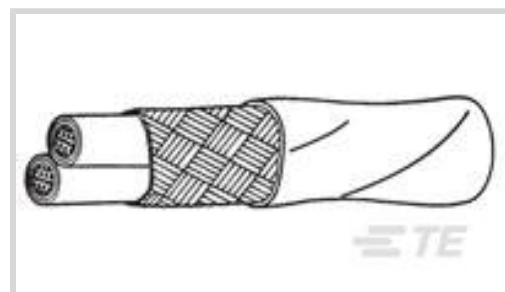




Wire & Cable > Multicore Cable



Cable Type: **Spec 55F**

Conductor Diameter: **.64 mm**

Overall Outside Diameter: **4.77 mm**

Voltage Rating: **600 V**

Shielded: **Yes**

## Features

### Product Type Features

Product Classification	Cable - High Performance - Spec 44, 55 & RCW
Product Type	Cable
Cable Type	Spec 55F
Shielded	Yes
Cable Style	Primary

### Configuration Features

Number of Conductors	2
----------------------	---

### Electrical Characteristics

Voltage Rating	600 V
----------------	-------

### Body Features

Shield Material	Tin-Plated Copper
Insulation Material	Radiation-Crosslinked, Modified PVDF
Jacket Color	Violet
Conductor Material	Tin-Plated Copper

### Dimensions

Conductor Diameter	.64 mm
Overall Outside Diameter	4.77 mm
Wire Size	1.31 mm <sup>2</sup>

## Other

Comment	Internal wire sizes 22-10 meets or exceeds all requirements of SAE AS85485/9, less identification., Product meets or exceeds all requirements of SAE AS85485/12 for 22-14 AWG, less identification.
Wire Source	United States

## Product Compliance

[For compliance documentation, visit the product page on TE.com>](#)

EU RoHS Directive 2011/65/EU	Compliant
EU ELV Directive 2000/53/EC	Compliant
China RoHS 2 Directive MIIT Order No 32, 2016	No Restricted Materials Above Threshold
EU REACH Regulation (EC) No. 1907/2006	Current ECHA Candidate List: JAN 2019 (197) Candidate List Declared Against: JAN 2019 (197)
Halogen Content	Out of Scope - excluded from Halogen requirements
Solder Process Capability	Not applicable for solder process capability

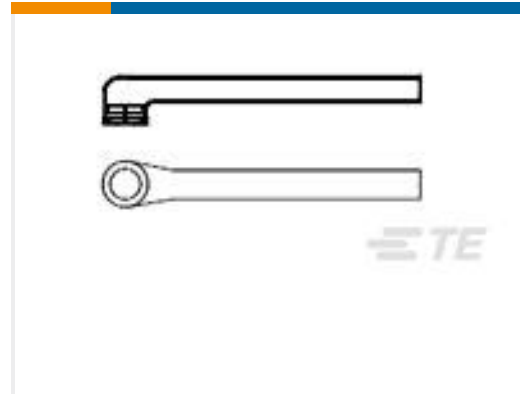
### Product Compliance Disclaimer

This information is provided based on reasonable inquiry of our suppliers and represents our current actual knowledge based on the information they provided. This information is subject to change. The part numbers that TE has identified as EU RoHS compliant have a maximum concentration of 0.1% by weight in homogenous materials for lead, hexavalent chromium, mercury, PBB, PBDE, DBP, BBP, DEHP, DIBP, and 0.01% for cadmium, or qualify for an exemption to these limits as defined in the Annexes of Directive 2011/65/EU (RoHS2). Finished electrical and electronic equipment products will be CE marked as required by Directive 2011/65/EU. Components may not be CE marked. Additionally, the part numbers that TE has identified as EU ELV compliant have a maximum concentration of 0.1% by weight in homogenous materials for lead, hexavalent chromium, and mercury, and 0.01% for cadmium, or qualify for an exemption to these limits as defined in the Annexes of Directive 2000/53/EC (ELV). Regarding the REACH Regulations, TE's information on SVHC in articles for this part number is still based on the European Chemical Agency (ECHA) 'Guidance on requirements for substances in articles' (Version: 2, April 2011), applying the 0.1% weight on weight concentration threshold at the finished product level. TE is aware of the European Court of Justice ruling of September 10th, 2015 also known as O5A (Once An Article Always An Article) stating that, in case of 'complex object', the threshold for a SVHC must be applied to both the product as a whole and simultaneously to each of the articles forming part of its composition. TE has evaluated this ruling based on the new ECHA "Guidance on requirements for substances in articles" (June 2017, version 4.0) and will be updating its statements accordingly.

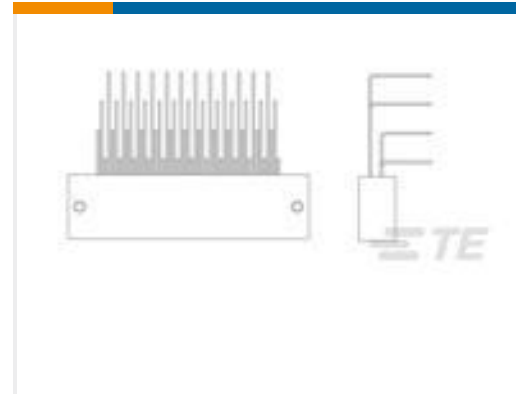
## Customers Also Bought



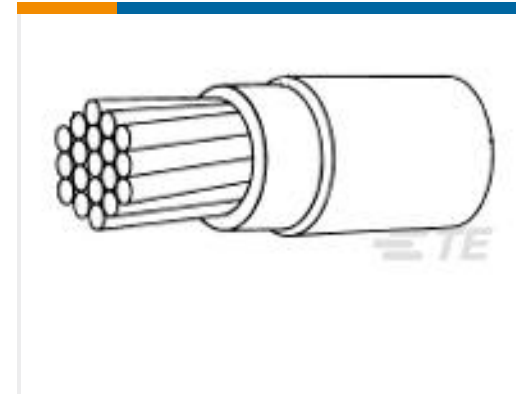
TE Part #257897-000  
202D232-3/180-0



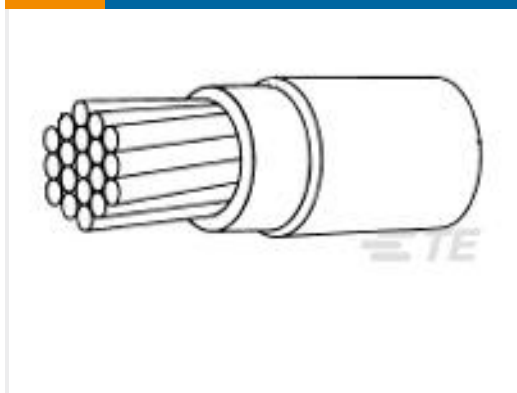
TE Part #807553-000  
222D221-4/42-0



TE Part #3-1589680-4  
STL051N6D = THRU-HOLE



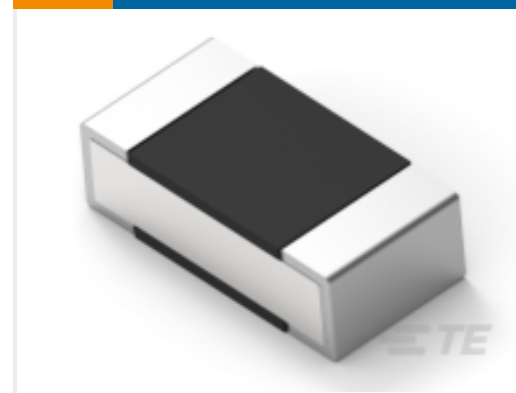
TE Part #552929-000  
55A0812-24-4



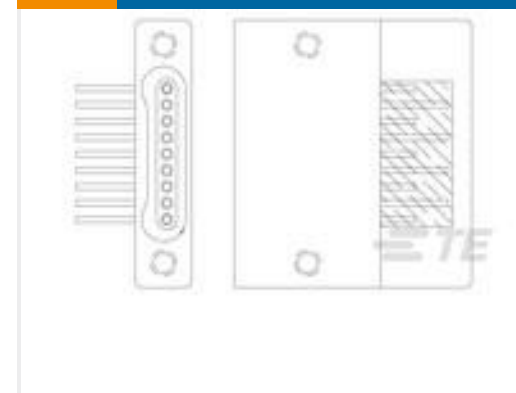
TE Part #218583-000  
55A0812-24-9



TE Part #2-1617122-0  
JMACD-5XMS2 = M39016  
/15-130M



TE Part #4-2176304-3  
RP 1E 0.1W 27R4 0.1%  
25PPM 5K RL



TE Part #1589469-7  
SSL009M6D = THRU-HOLE

## Documents

### Product Drawings

[55FB1521-16-7L/7L6-0](#)

English

### Datasheets & Catalog Pages

[1654025\\_Sec9\\_55F](#)

English

### Product Specifications

[Product Specification](#)

English

## X-ON Electronics

Largest Supplier of Electrical and Electronic Components

*Click to view similar products for [Multi-Conductor Cables](#) category:*

*Click to view products by [TE Connectivity](#) manufacturer:*

Other Similar products are found below :

[89504-002-1000](#) [89705-008-500](#) [CS2885-000](#) [M27500-20SP2S23](#) [6309UE-877-1000](#) [M3905-BK005](#) [6502FE 8771000](#) [CW9530-000](#)  
[CX6543-000](#) [CXA-0066-20-4-9CS2973](#) [CXA-0078-16-1-9CS2405](#) [CXA-0078-22-4-9CS2405](#) [CXA-0078-24-4-9CS2405](#) [CXA-0140-16-6/9-](#)  
[9CS2405](#) [CY0660-000](#) [720451-000](#) [752687-000](#) [768146-000](#) [773159-000](#) [83318E-009-500](#) [8348-060-500](#) [83559-002-1000](#) [83653-002-5000](#)  
[8404-060-500](#) [8469 060100](#) [858171-000](#) [8628-060-500](#) [868361-001](#) [8730-060-1000](#) [8737-060-U1000](#) [8747-060-100](#) [8747-060-1000](#) [8769-](#)  
[060-1000](#) [8775-060-500](#) [8780-060-1000](#) [8782-001-U1000](#) [9159-060-500](#) [9318-060-1000](#) [939870-000](#) [9423 060U500](#) [9444 060U1000](#) [9497](#)  
[0001000](#) [9520-060-1000](#) [9524-060-1000](#) [9546-060-500](#) [9572-002-U500](#) [9774-060-1000](#) [A43962-000](#) [1232A1-008-1000](#) [1302110032](#)