



Raychem

TE Internal #: 437277-000

Twisted Pair Cable, Spec 55, 600VAC Twisted Pair Cable Voltage Rating, 26AWG Wire Size, Operating Temperature Range -65 – 150 °C

[View on TE.com >](#)

Wire & Cable > Twisted Pair Cable



Twisted Pair Cable Type: **Spec 55**

Twisted Pair Cable Voltage Rating: **600 VAC**

Twisted Pair Cable Insulation Material: **Modified Radiation Cross-linked ETFE Polymer**

Twisted Pair Cable Conductor Material: **Tin-Coated Copper**

Wire Size: **26 AWG**

Features

Product Type Features

Twisted Pair Cable Type	Spec 55
-------------------------	---------

Electrical Characteristics

Twisted Pair Cable Voltage Rating	600 VAC
-----------------------------------	---------

Body Features

Twisted Pair Cable Insulation Material	Modified Radiation Cross-linked ETFE Polymer
Twisted Pair Cable Conductor Material	Tin-Coated Copper

Dimensions

Wire Size	26 AWG
-----------	--------

Usage Conditions

Operating Temperature Range	-65 – 150 °C
-----------------------------	--------------

Product Compliance

[For compliance documentation, visit the product page on TE.com>](#)

EU RoHS Directive 2011/65/EU	Compliant
EU ELV Directive 2000/53/EC	Compliant
China RoHS 2 Directive MIIT Order No 32, 2016	No Restricted Materials Above Threshold



EU REACH Regulation (EC) No. 1907/2006

Current ECHA Candidate List: JUL 2021 (219)

Candidate List Declared Against: JUL 2021 (219)

Does not contain REACH SVHC

Halogen Content

Out of Scope - excluded from Halogen requirements

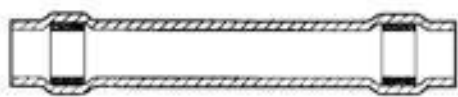
Solder Process Capability

Not applicable for solder process capability

Product Compliance Disclaimer

This information is provided based on reasonable inquiry of our suppliers and represents our current actual knowledge based on the information they provided. This information is subject to change. The part numbers that TE has identified as EU RoHS compliant have a maximum concentration of 0.1% by weight in homogenous materials for lead, hexavalent chromium, mercury, PBB, PBDE, DBP, BBP, DEHP, DIBP, and 0.01% for cadmium, or qualify for an exemption to these limits as defined in the Annexes of Directive 2011/65/EU (RoHS2). Finished electrical and electronic equipment products will be CE marked as required by Directive 2011/65/EU. Components may not be CE marked. Additionally, the part numbers that TE has identified as EU ELV compliant have a maximum concentration of 0.1% by weight in homogenous materials for lead, hexavalent chromium, and mercury, and 0.01% for cadmium, or qualify for an exemption to these limits as defined in the Annexes of Directive 2000/53/EC (ELV). Regarding the REACH Regulation, the information TE provides on SVHC in articles for this part number is based on the latest European Chemicals Agency (ECHA) 'Guidance on requirements for substances in articles' posted at this URL: <https://echa.europa.eu/guidance-documents/guidance-on-reach>

Compatible Parts



TE Part # 650074-000
D-436-36

Customers Also Bought



TE Part #5273550001
TMS-SCE-3/16-2.0-9



TE Part #U5354-000002-002BA
PRESS XDCR U5354-000002-002BA



TE Part #GA10K3MBD1
MBD9-PROBE



TE Part #1-440146-2
1.25mm WTB Socket,Housing,12p



TE Part #5039324007
Single Wall DR 25: Heat Shrink Tubing,
2:1 Shrink Ratio



TE Part #758539-000
SO63-2-00



TE Part #187788-000
SO63-3-00



TE Part #250837-000
55PC0121-24-6/9

Documents

Product Drawings

[55PC1121-26-9/96-9](#)

English

Datasheets & Catalog Pages

[1654025_Sec9_SPEC55](#)

English

[Raychem Wire and Cable Quick Reference Guide](#)

English

Product Specifications

[Product Specification](#)

English

X-ON Electronics

Largest Supplier of Electrical and Electronic Components

Click to view similar products for [Multi-Conductor Cables](#) category:

Click to view products by [TE Connectivity](#) manufacturer:

Other Similar products are found below :

[8916-GRY-100](#) [8917-BLK-100](#) [8918-GRN/YEL-100](#) [8920-BRN-1000](#) [8920-RED-1000](#) [89907-LT-DEC/GRY-500](#) [CR3909-000](#) [CR3927-000](#) [01342.35T.01](#) [01364.35T.01](#) [CS2885-000](#) [CS8782-000](#) [CS9912-000](#) [6200UE-NAT-U1000](#) [CTC-0062-20-9/5-9](#) [CTC-0062-22-9/5-9](#) [6304FE-877-U500](#) [6309UE-877-1000](#) [6320UE-NAT-U1000](#) [644833-000](#) [6502FE 8771000](#) [6504UE-877-U1000](#) [CW9530-000](#) [CX6543-000](#) [CXA-0066-20-4-9CS2973](#) [CXA-0078-16-1-9CS2405](#) [CXA-0078-22-4-9CS2405](#) [CXA-0078-24-4-9CS2405](#) [CXA-0140-16-6/9-9CS2405](#) [CY0660-000](#) [706/2R-BLACK-EACH](#) [720451-000](#) [730859-000](#) [MCC-USB-4-250](#) [752687-000](#) [768146-000](#) [773159-000](#) [7934A-BLK-1000](#) [8125-CHR-100](#) [8164-CHR-1000](#) [820457-000](#) [8205-CHR-1000](#) [8240-BLK-U1000](#) [82723-NAT-1000](#) [82907-NAT-500](#) [83003-YEL-500](#) [83005-WHT-500](#) [83006-DK-GRN-100](#) [83008-WHT-1000](#) [83009-BLK-100](#)