

REVISIONS					
P	LTR	DESCRIPTION	DATE	DWN	APVD
	R	PRODUCTION ISSUE	31JAN2019	PNT	MT

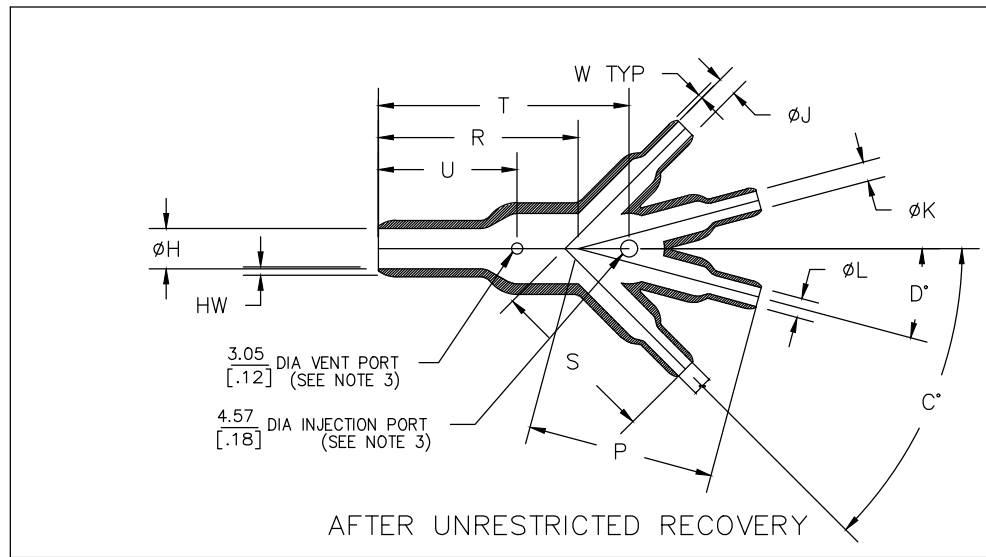
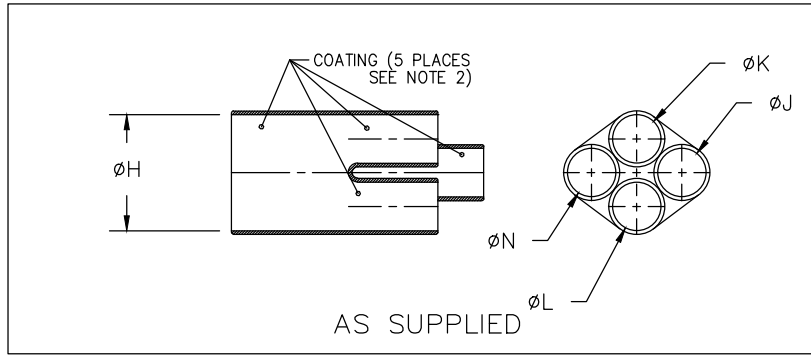


TABLE OF DIMENSIONS


PART NUMBER	H		J,K,L & N		P $\pm 10\%$ b	R $\pm 10\%$ b	S $\pm 10\%$ b	T $\pm 10\%$ b	U $\pm 10\%$ b	C° $\pm 5\%$ b	D° $\pm 5\%$ b	HW $\pm 20\%$ b	W $\pm 20\%$ b	Weight Nom lb/[gms] b
	Min a	Max b	Min a	Max b										
562A011	13.2 [.52]	6.9 [.27]	6.6 [.26]	3.5 [.14]	24.1 [.95]	38.4 [1.51]	24.1 [.95]	43.9 [1.73]	20.0 [.79]	45	15	1.52 [.06]	1.02 [.04]	3.63 [.008]
562A022	19.3 [.76]	9.7 [.38]	9.4 [.37]	5.3 [.21]	35.6 [1.40]	36.1 [1.42]	32.0 [1.26]	43.2 [1.70]	23.1 [.91]	45	15	1.78 [.07]	1.02 [.04]	6.80 [.015]
562A032	19.3 [.76]	9.7 [.38]	13.2 [.52]	6.9 [.27]	49.3 [1.94]	36.1 [1.42]	45.0 [1.77]	50.5 [1.99]	25.4 [1.00]	45	15	1.78 [.07]	1.52 [.06]	13.61 [.030]
562A043	26.9 [1.06]	13.0 [.51]	13.2 [.52]	6.9 [.27]	49.3 [1.94]	51.8 [2.04]	45.0 [1.77]	65.8 [2.59]	33.5 [1.32]	45	15	2.54 [.10]	1.52 [.06]	18.60 [.041]
562A054	38.6 [1.52]	18.5 [.73]	19.3 [.76]	9.7 [.38]	71.9 [2.83]	74.9 [2.95]	65.3 [2.57]	95.3 [3.75]	46.5 [1.83]	45	15	3.05 [.12]	1.78 [.07]	54.43 [.120]
562A067	55.6 [2.19]	26.7 [1.05]	26.9 [1.06]	13.0 [.51]	101.6 [4.00]	108.5 [4.27]	92.5 [3.64]	135.1 [5.32]	65.5 [2.58]	45	15	4.57 [.18]	2.54 [.10]	149.69 [.330]

RELEASED FOR PUBLICATION

ALL RIGHTS RESERVED.

THIS DRAWING IS UNPUBLISHED.

BY -
COPYRIGHT -

DIMENSIONS: mm [INCHES]	DWN	31JAN2019	MATERIAL	FINISH		
	PRAVEEN N T		SEE SHEET 2	-		
TOLERANCES UNLESS OTHERWISE SPECIFIED:	CHK	31JAN2019	 TE Connectivity Ltd.			
	N NAGAR					
0 PLC ± - 1 PLC ± - 2 PLC ± - 3 PLC ± - 4 PLC ± - ANGLES ± -	APVD	31JAN2019			NAME TRANSITION, 1 TO 4 CABLES	
	M TAYLOR					
WEIGHT	PRODUCT SPEC	-	SIZE CAGE CODE DRAWING NO RESTRICTED TO			
	APPLICATION SPEC	-				
CUSTOMER DRAWING		A4	00779	C-562A011-XX-0THRU067-XX-0	-	
SCALE		DNS	SHEET	1 OF 2	REV R	

REVISIONS					
P	LTR	DESCRIPTION	DATE	DWN	APVD
	-	SEE SHEET 1	-	-	-

COMPATABILITY CHART				
MATERIAL DASH NO.	MATERIAL DESCRIPTION	RT SPEC	COATINGS LASHNO.	COATINGS NO.
-3	Polyolefin, Semi-rigid	RT-301	/42;/86;/180	S1017;S1048;S1030
-4	Polyolefin, Flexible	RT-1304	/42;/86;/180	S1017;S1048;S1030
-12	Fluoroelastomer, flexible	RT-1312	N/A	N/A
-25	Elastomer, Fluid Resistant	RW-2070	/42;/86;/225	S1017;S1048;S1206
-100	Polyolefin, Semi-flexible ZEROHAL	RW-2082	/86;/180	S-1048;S-1030


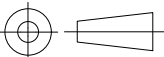
ORDERING INFORMATION

Base part number _____ 562A0XX -XX -XX /XX -0
 Material dash number _____
 (See Compatability Chart)
 Modification number _____
 Adhesive slash number _____
 (if necessary, see Compatability Chart)
 Color designator _____

NOTES

- Dimensions appearing in table are as follows:
 - a - As Supplied
 - b - After Unrestricted Recovery
- Coating is optional. As supplied dimensions appearing in table are for uncoated parts. When coating is added, entry diameters will be reduced by 1.5mm[.06] max.
- Molding ports are optional. When -00 modification number is specified molding ports will be located as shown.
- Weight appearing in table of dimensions is based on polyolefin part.

THIS DRAWING IS UNPUBLISHED. ALL RIGHTS RESERVED.

DIMENSIONS: mm [INCHES]	DWN	31JAN2019	MATERIAL	-	FINISH	-	
	CHK	31JAN2019	 TE Connectivity Ltd.				
TOLERANCES UNLESS OTHERWISE SPECIFIED:	APVD	31JAN2019					
0 PLC ± - 1 PLC ± - 2 PLC ± - 3 PLC ± - 4 PLC ± - ANGLES ± -	PRAVEEN N T N NAGAR M TAYLOR	PRODUCT SPEC - APPLICATION SPEC - WEIGHT -	NAME TRANSITION, 1 TO 4 CABLES	SIZE A4	CAGE CODE 00779	DRAWING NO 562A011-XX-0THRU067-XX-0	RESTRICTED TO -
			CUSTOMER DRAWING		SCALE DNS	SHEET 2 OF 2	REV R

X-ON Electronics

Largest Supplier of Electrical and Electronic Components

Click to view similar products for [Heat Shrink Cable Boots & End Caps](#) category:

Click to view products by [TE Connectivity](#) manufacturer:

Other Similar products are found below :

[577159N001](#) [645494-000](#) [CX4132-000](#) [687025-000](#) [705331-000](#) [718446-000](#) [725666N001](#) [729257-000](#) [F27131-000](#) [F85868-000](#) [770-003S106W2](#) [770-013210W1](#) [770-013311](#) [770-013312](#) [806542N001](#) [807507-000](#) [808362-000](#) [808618-000](#) [809125-000](#) [809130-000](#) [809218-000](#) [812014-000](#) [812047-000](#) [813166-000](#) [813767N002](#) [814741-000](#) [819117N001](#) [823026-000](#) [823070-000](#) [841189N001](#) [861471-000](#) [866647-000](#) [879515-000](#) [937577-000](#) [957073-000](#) [982033-2](#) [A77813-000](#) [R280576000](#) [D96192-000](#) [163549-000](#) [EN3BOOTLKIT](#) [MTPSRBCL-C](#) [1954015-1](#) [200W531-3-0](#) [202A163-4-0-CS5067](#) [202A343-3-00-0](#) [202B221-13-0](#) [202B231-13-0](#) [202B563-25-07-0](#) [202C241-13-0](#)