

| REVISIONS | | | | | |
|-----------|-----|------------------|-----------|-----|------|
| P | LTR | DESCRIPTION | DATE | DWN | APVD |
| | R | PRODUCTION ISSUE | 31JAN2019 | PNT | MT |

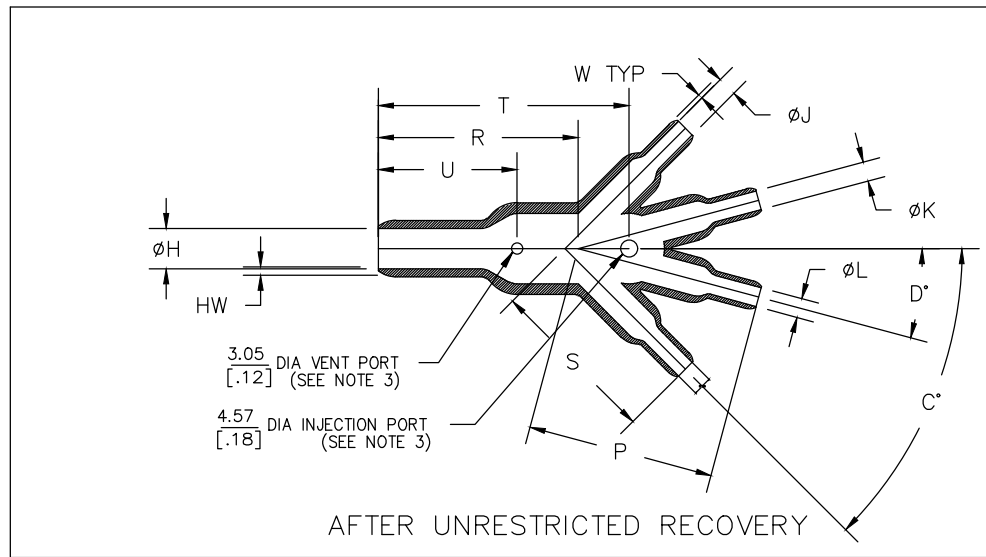
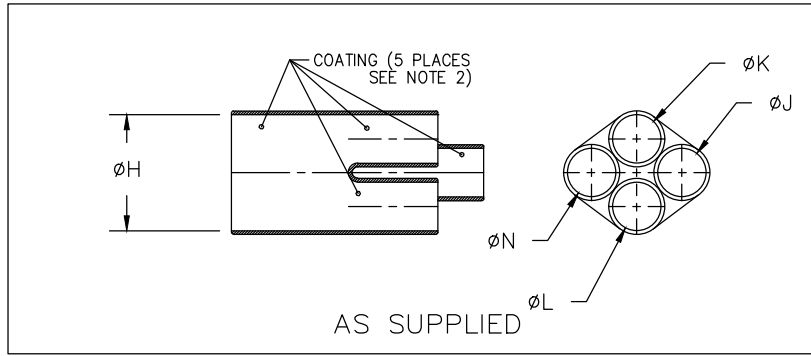


TABLE OF DIMENSIONS

| PART NUMBER | H | | J,K,L & N | | P ±10% | R ±10% | S ±10% | T ±10% | U ±10% | C° ±5% | D° ±5% | HW ±20% | W ±20% | Weight Nom lb/[gms] b |
|-------------|----------------|----------------|----------------|---------------|-----------------|-----------------|----------------|-----------------|----------------|-----------|-----------|---------------|---------------|--------------------------------|
| | Min a | Max b | Min a | Max b | | | | | | | | | | |
| 562A011 | 13.2 [.52] | 6.9 [.27] | 6.6 [.26] | 3.5 [.14] | 24.1 [.95] | 38.4 [1.51] | 24.1 [.95] | 43.9 [1.73] | 20.0 [.79] | 45 | 15 | 1.52 [.06] | 1.02 [.04] | 3.63 [.008] |
| 562A022 | 19.3 [.76] | 9.7 [.38] | 9.4 [.37] | 5.3 [.21] | 35.6 [1.40] | 36.1 [1.42] | 32.0 [1.26] | 43.2 [1.70] | 23.1 [.91] | 45 | 15 | 1.78 [.07] | 1.02 [.04] | 6.80 [.015] |
| 562A032 | 19.3 [.76] | 9.7 [.38] | 13.2 [.52] | 6.9 [.27] | 49.3 [1.94] | 36.1 [1.42] | 45.0 [1.77] | 50.5 [1.99] | 25.4 [1.00] | 45 | 15 | 1.78 [.07] | 1.52 [.06] | 13.61 [.030] |
| 562A043 | 26.9 [1.06] | 13.0 [.51] | 13.2 [.52] | 6.9 [.27] | 49.3 [1.94] | 51.8 [2.04] | 45.0 [1.77] | 65.8 [2.59] | 33.5 [1.32] | 45 | 15 | 2.54 [.10] | 1.52 [.06] | 18.60 [.041] |
| 562A054 | 38.6 [1.52] | 18.5 [.73] | 19.3 [.76] | 9.7 [.38] | 71.9 [2.83] | 74.9 [2.95] | 65.3 [2.57] | 95.3 [3.75] | 46.5 [1.83] | 45 | 15 | 3.05 [.12] | 1.78 [.07] | 54.43 [.120] |
| 562A067 | 55.6 [2.19] | 26.7 [1.05] | 26.9 [1.06] | 13.0 [.51] | 101.6 [4.00] | 108.5 [4.27] | 92.5 [3.64] | 135.1 [5.32] | 65.5 [2.58] | 45 | 15 | 4.57 [.18] | 2.54 [.10] | 149.69 [.330] |

RELEASED FOR PUBLICATION

ALL RIGHTS RESERVED.

THIS DRAWING IS UNPUBLISHED.

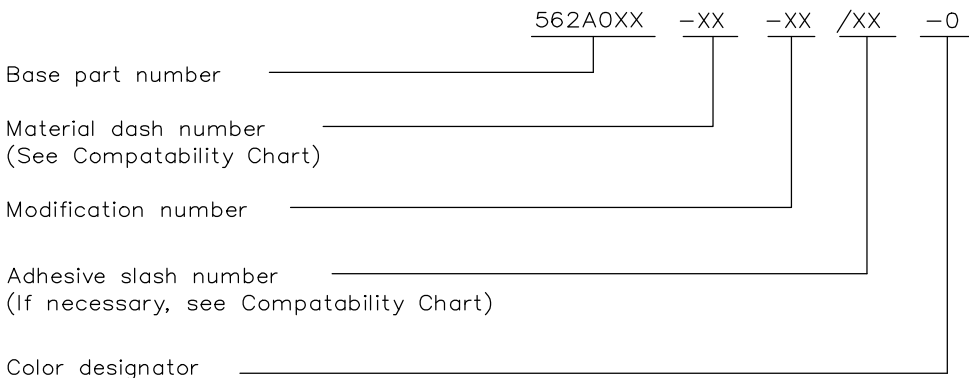
© COPYRIGHT - BY -

| | | | | |
|---|------------------|-----------|--|--------|
| DIMENSIONS: mm [INCHES] | DWN | 31JAN2019 | MATERIAL | FINISH |
| | PRAVEEN N T | | SEE SHEET 2 | - |
| TOLERANCES UNLESS OTHERWISE SPECIFIED: | CHK | 31JAN2019 | TE Connectivity Ltd. | |
| | N NAGAR | | | |
| 0 PLC ± - 1 PLC ± - 2 PLC ± - 3 PLC ± - 4 PLC ± - ANGLES ± - | APVD | 31JAN2019 | NAME TRANSITION, 1 TO 4 CABLES | |
| | M TAYLOR | | | |
| WEIGHT | PRODUCT SPEC | - | SIZE CAGE CODE DRAWING NO RESTRICTED TO A4 00779 C-562A011-XX-0THRU067-XX-0 - | |
| | APPLICATION SPEC | - | | |
| CUSTOMER DRAWING | | | SCALE | DNS |
| | | | SHEET | 1 OF 2 |
| | | | REV | R |

| REVISIONS | | | | | |
|-----------|-----|-------------|------|-----|------|
| P | LTR | DESCRIPTION | DATE | DWN | APVD |
| | - | SEE SHEET 1 | - | - | - |

| COMPATABILITY CHART | | | | |
|---------------------|-----------------------------------|---------|------------------|-------------------|
| MATERIAL DASH NO. | MATERIAL DESCRIPTION | RT SPEC | COATINGS LASHNO. | COATINGS NO. |
| -3 | Polyolefin, Semi-rigid | RT-301 | /42;/86;/180 | S1017;S1048;S1030 |
| -4 | Polyolefin, Flexible | RT-1304 | /42;/86;/180 | S1017;S1048;S1030 |
| -12 | Fluoroelastomer, flexible | RT-1312 | N/A | N/A |
| -25 | Elastomer, Fluid Resistant | RW-2070 | /42;/86;/225 | S1017;S1048;S1206 |
| -100 | Polyolefin, Semi-flexible ZEROHAL | RW-2082 | /86;/180 | S-1048;S-1030 |


ORDERING INFORMATION

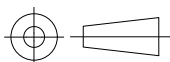


NOTES

- Dimensions appearing in table are as follows:
 - a - As Supplied
 - b - After Unrestricted Recovery
- Coating is optional. As supplied dimensions appearing in table are for uncoated parts. When coating is added, entry diameters will be reduced by 1.5mm[.06] max.
- Molding ports are optional. When -00 modification number is specified molding ports will be located as shown.
- Weight appearing in table of dimensions is based on polyolefin part.

THIS DRAWING IS UNPUBLISHED. ALL RIGHTS RESERVED. RELEASED FOR PUBLICATION

| | | | |
|--|---------------------------------|---|--|
| DIMENSIONS: mm [INCHES] | DWN PRAVEEN N T 31JAN2019 | MATERIAL - | FINISH - |
| | CHK N NAGAR 31JAN2019 |  TE Connectivity Ltd. | |
| TOLERANCES UNLESS OTHERWISE SPECIFIED: | APVD M TAYLOR 31JAN2019 | | |
| 0 PLC ± - | PRODUCT SPEC - | SIZE A4 | RESTRICTED TO - |
| 1 PLC ± - | APPLICATION SPEC - | CAGE CODE 00779 | DRAWING NO 562A011-XX-0THRU067-XX-0 |
| 2 PLC ± - | | WEIGHT - | |
| 3 PLC ± - | CUSTOMER DRAWING | | SHEET 2 OF 2 |
| 4 PLC ± - | SCALE DNS | | REV R |
| ANGLES ± - | SCALE DNS | | REV R |



X-ON Electronics

Largest Supplier of Electrical and Electronic Components

Click to view similar products for [Heat Shrink Cable Boots & End Caps](#) category:

Click to view products by [TE Connectivity](#) manufacturer:

Other Similar products are found below :

[577159N001](#) [645494-000](#) [CX4132-000](#) [687025-000](#) [705331-000](#) [718446-000](#) [725666N001](#) [729257-000](#) [F27131-000](#) [F85868-000](#) [770-003S106W2](#) [770-013210W1](#) [770-013311](#) [770-013312](#) [806542N001](#) [807507-000](#) [808362-000](#) [808618-000](#) [809125-000](#) [809130-000](#) [809218-000](#) [812014-000](#) [812047-000](#) [813166-000](#) [813767N002](#) [814741-000](#) [819117N001](#) [823026-000](#) [823070-000](#) [841189N001](#) [861471-000](#) [866647-000](#) [879515-000](#) [937577-000](#) [957073-000](#) [982033-2](#) [A77813-000](#) [R280576000](#) [D96192-000](#) [163549-000](#) [EN3BOOTLKIT](#) [MTPSRBCL-C](#) [1954015-1](#) [200W531-3-0](#) [202A163-4-0-CS5067](#) [202A343-3-00-0](#) [202B221-13-0](#) [202B231-13-0](#) [202B563-25-07-0](#) [202C241-13-0](#)