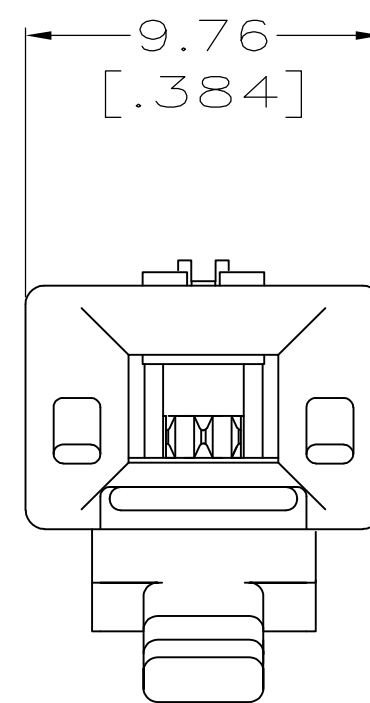
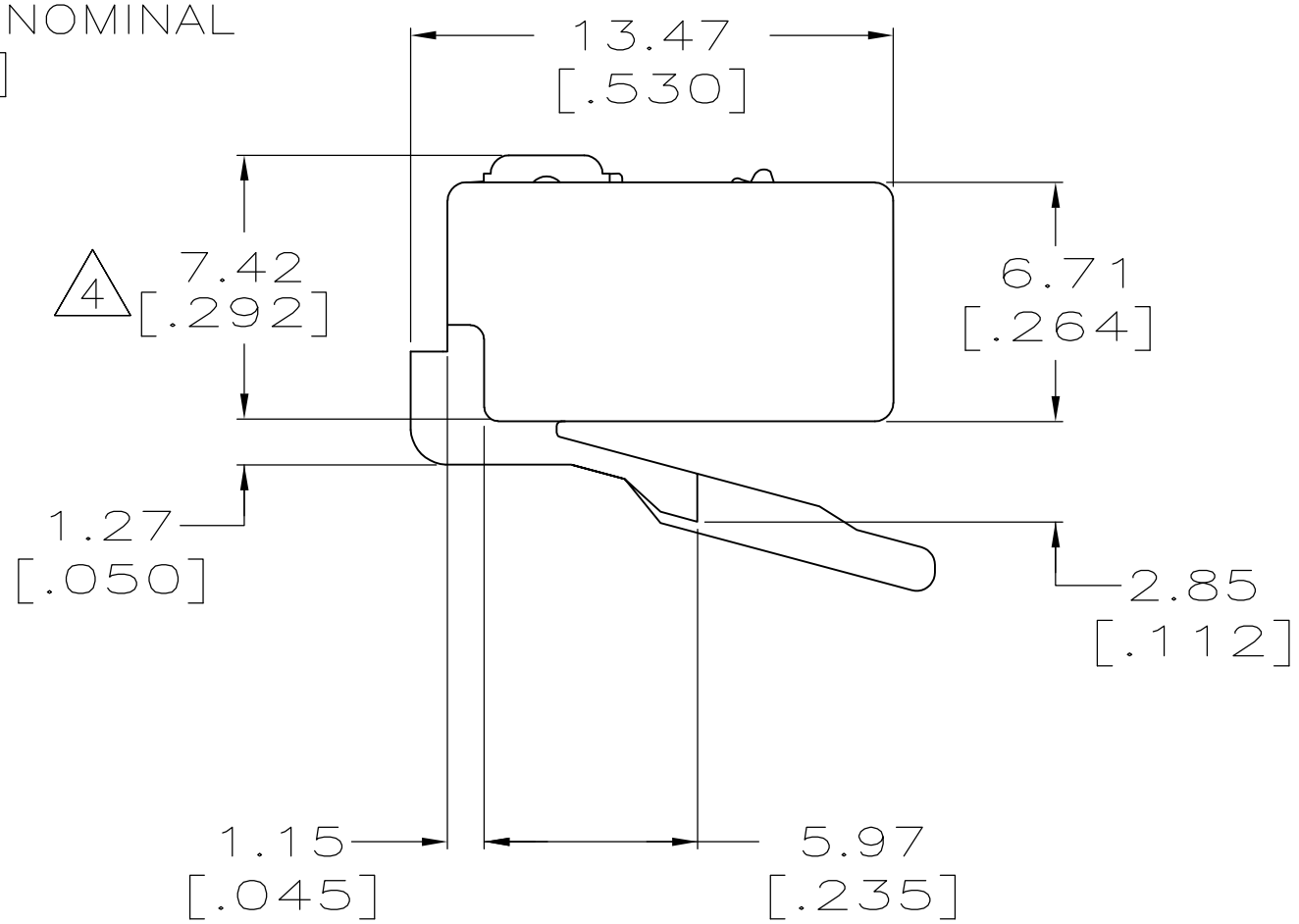
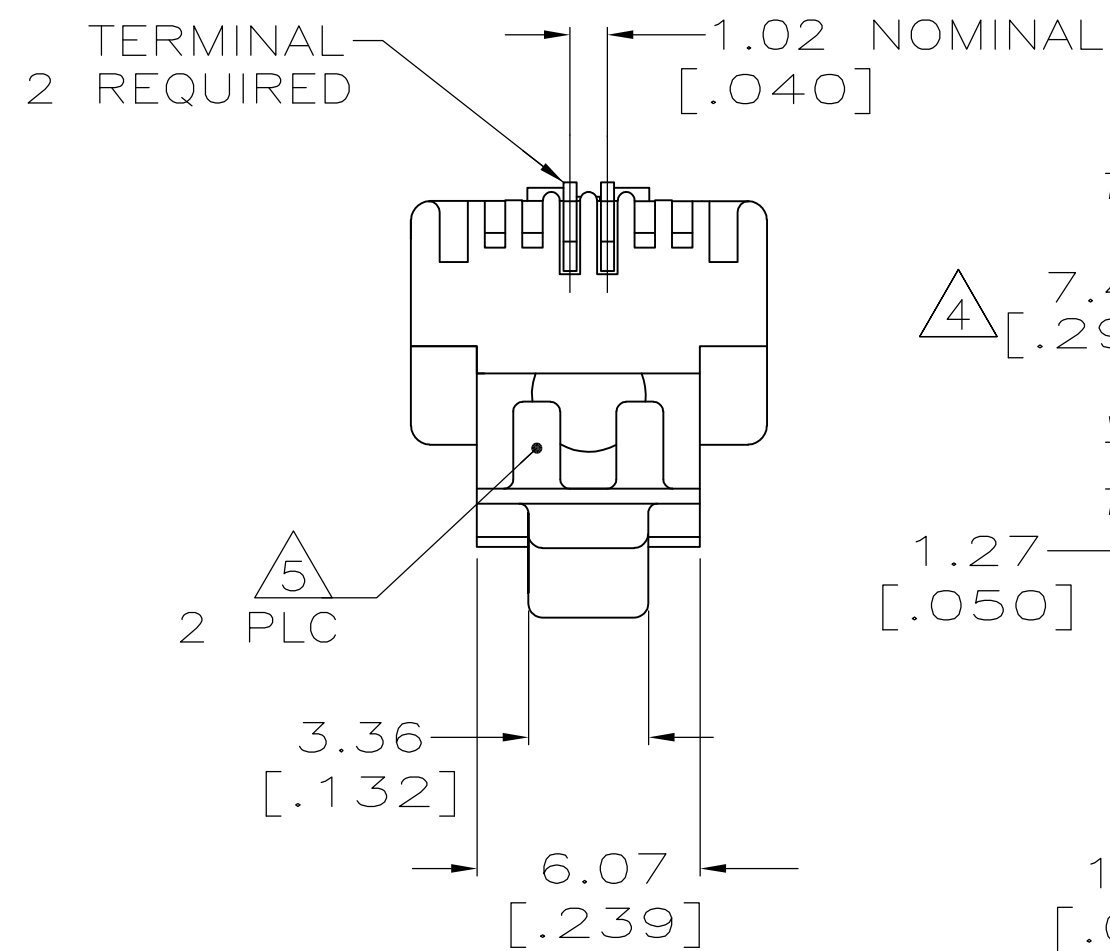
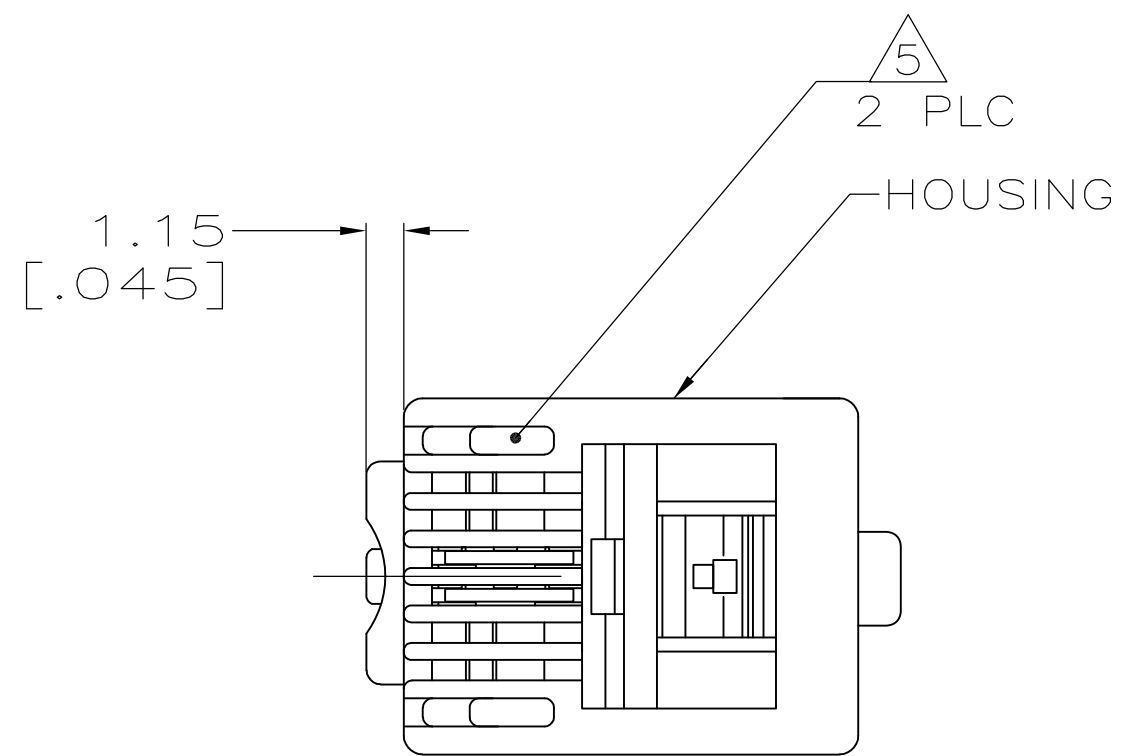


THIS DRAWING IS UNPUBLISHED. RELEASED FOR PUBLICATION
 © COPYRIGHT - By - ALL RIGHTS RESERVED.

| LOC | DIST | REVISIONS | | | GG | EL |
|-----|------|-------------|--------------------|-----------|------|----|
| P | LTR | DESCRIPTION | DATE | DWN | APVD | |
| HM | 00 | S | REV; ECO-14-004548 | 27MAR2014 | GG | JG |



- ALL DIMENSIONS SHOWN ARE FOR REFERENCE ONLY UNLESS OTHERWISE SPECIFIED.
- MATERIAL: HOUSING—POLYCARBONATE CLEAR. TERMINAL — .36 [.014] THICK PHOSPHOR BRONZE PLATED WITH .178μm [.000007] THICK GOLD IN LOCALIZED PLATE AREA, OVER .762μm [.000030] THICK PALLADIUM NICKEL IN LOCALIZED PLATE AREA OVER 2.54μm [.000100] THICK NICKEL ON ENTIRE CONTACT.
- PLUG WILL EXCEPT 26 OR 28 AWG STRANDED OR TINSEL WIRE HAVING A MAXIMUM INSULATION OF $\phi 0.99$ [.039] AND A MAXIMUM OVAL CABLE JACKET OF 2.29x4.06 [.090x.160].
- TERMINATED DIMENSION TO MEET FCC REQUIREMENTS .237±.005.
- REELED PRODUCT ON STRIP DOES NOT HAVE VOID CORING ILLUSTRATED ON THIS DRAWING.

| | | |
|--|---------------------|------------------------------|
| SUPSD BY 5-641333-2 | 1000 PER PACKAGE | 5-641333-2 |
| | REELED ⁵ | 641333-1 |
| | DESCRIPTION | PART NO. |
| THIS DRAWING IS A CONTROLLED DOCUMENT. | | DWN 20FEB2007 |
| DIMENSIONS: INCHES | | L. HALL 20FEB2007 |
| TOLERANCES UNLESS OTHERWISE SPECIFIED: | | CHK C. DOOLEY 20FEB2007 |
| 0 PLC ± - | | APVD C. DOOLEY 20FEB2007 |
| 1 PLC ± - | | NAME |
| 2 PLC ± - | | TE Connectivity |
| 3 PLC ± - | | PRODUCT SPEC |
| 4 PLC ± - | | 108-1163 |
| ANGLES ± - | | APPLICATION SPEC |
| FINISH | | 114-6016 |
| MATERIAL - ² | | WEIGHT - |
| | | SIZE A2 |
| | | CAGE CODE 00779 |
| | | DRAWING NO. C-641333 |
| | | RESTRICTED TO - |
| CUSTOMER DRAWING | | SCALE 5:1 SHEET 1 of 1 REV S |

X-ON Electronics

Largest Supplier of Electrical and Electronic Components

Click to view similar products for [Modular Connectors / Ethernet Connectors](#) category:

Click to view products by [TE Connectivity](#) manufacturer:

Other Similar products are found below :

[RJE231881317T](#) [MP1010RX-1000](#) [MP44RX-1000](#) [GAX-3-66](#) [GAX-8-62](#) [93606-0253](#) [GD-A-44](#) [GDCX-PA-66-50](#) [GDCX-PN-64](#) [GDCX-PN-66](#) [GDCX-PN-66-50](#) [GDLX-A-66](#) [GDLX-A-88](#) [GDLX-N-66](#) [GDLX-S-66](#) [GDLX-S-88K](#) [GDTX-S-88-50](#) [GDX-PA-1010](#) [GLX-N-1010M-BLK](#) [GLX-S-88M-BLK](#) [GMX-N-1010](#) [GMX-S-1010](#) [GMX-S-66](#) [GMX-SMT2-N-1010](#) [GMX-SMT2-N-64-50](#) [GMX-SMT2-N-88](#) [GMX-SMT2-S6-88](#) [GMX-SMT4-N-88](#) [GPX-2-64](#) [GRT1-BT1-5](#) [GSGX-N-2-88](#) [GSX-NS2-88-3.05](#) [GSX-NS2-88-3.05-50](#) [GSX-NS-88-3.05-30](#) [GSX-NS-88-3.05-50](#) [GSX-NS-88-3.68](#) [1-1775629-2](#) [GWLX-S-88-GR](#) [GWLX-S9-88-YG](#) [1300500326](#) [1300500227](#) [1300530003](#) [1300570002](#) [1324640-4](#) [RJ11FTVC2G](#) [RJ11FTVC2N](#) [RJFTVX2SA1G](#) [132764-001](#) [1400000](#) [1413235](#)