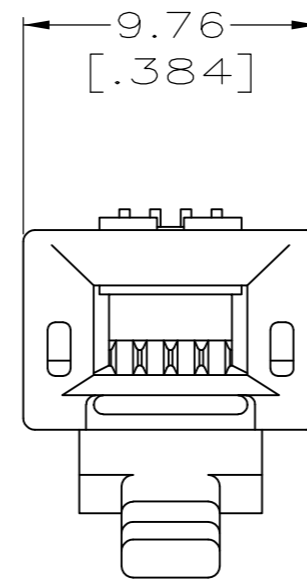
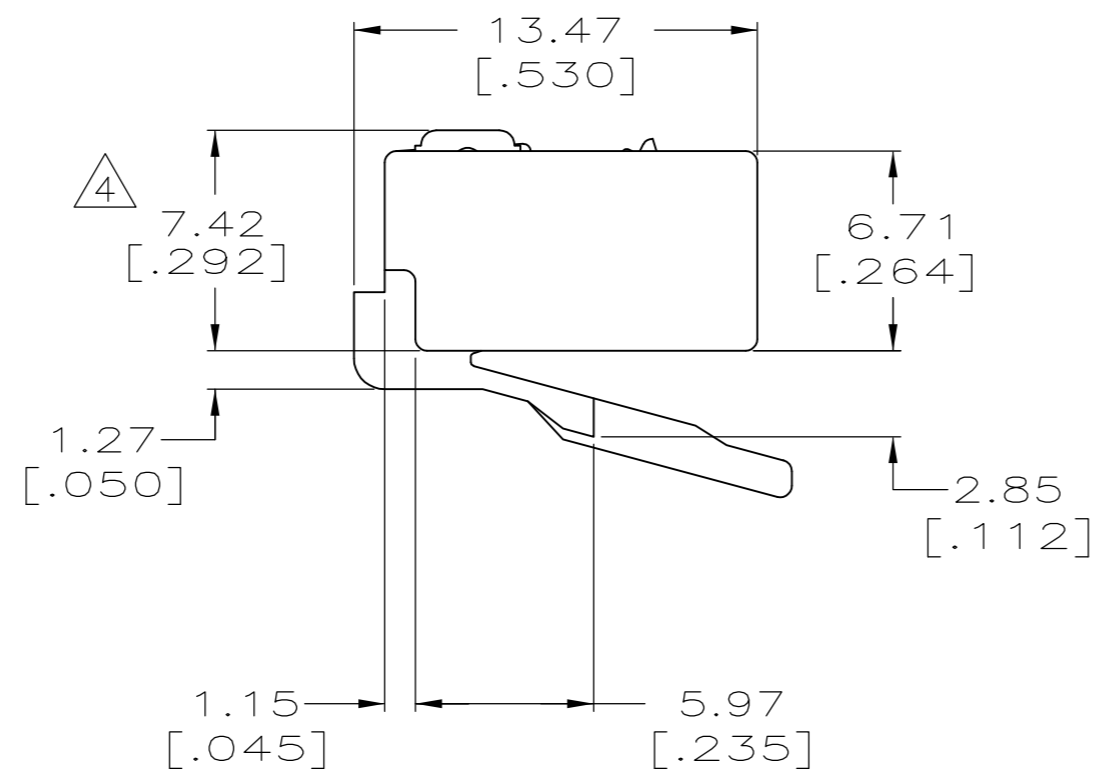
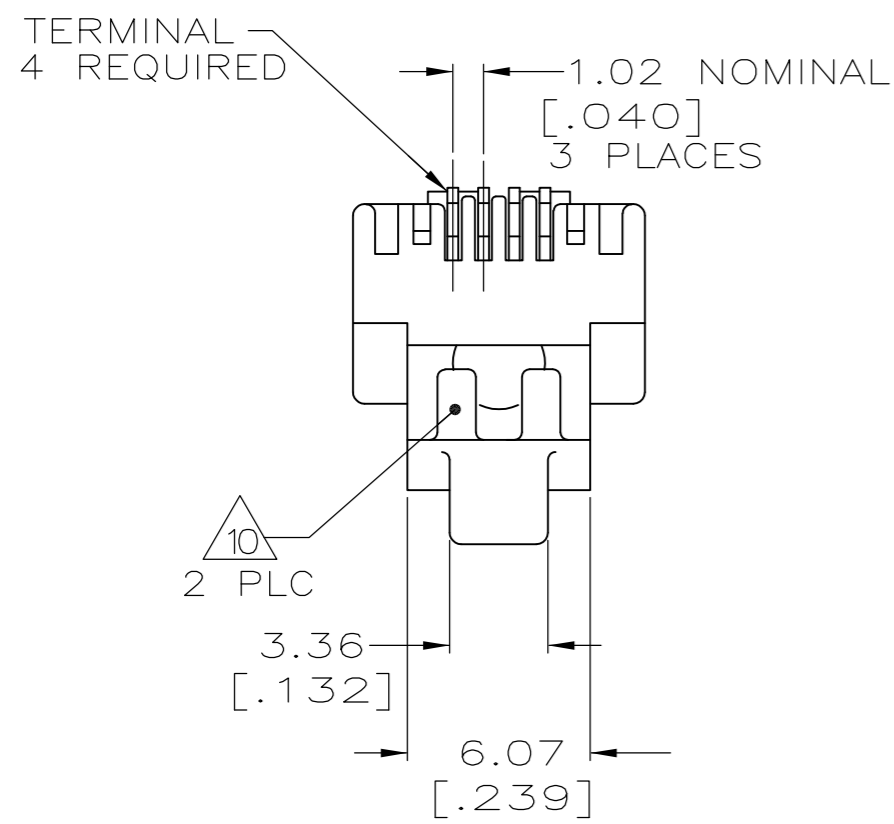
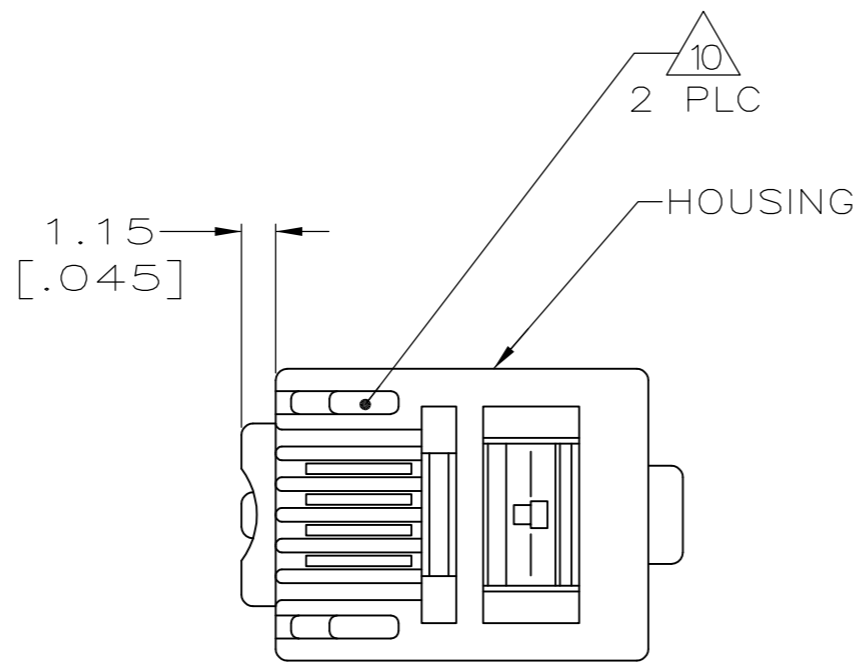


THIS DRAWING IS UNPUBLISHED. RELEASED FOR PUBLICATION  
 © COPYRIGHT - By - ALL RIGHTS RESERVED.

LOC	DIST	REVISIONS			
P	LTR	DESCRIPTION	DATE	DWN	APVD
HM	00	AB	REV PER ECO-15-007385	19MAY2015	GG LS



- 1 DIMENSIONS ARE MAXIMUM UNLESS OTHERWISE SPECIFIED.
- 2 MATERIAL: HOUSING—POLYCARBONATE,CLEAR. TERMINAL - .36 [.014] THICK PHOSPHOR BRONZE PLATED WITH .178μm[.000007] THICK GOLD IN LOCALIZED PLATE AREA, OVER .762μm[.000030] THICK PALLADIUM NICKEL IN LOCALIZED PLATE AREA OVER 2.54μm[.000100] THICK NICKEL ON ENTIRE CONTACT.
- 3. PLUG WILL ACCEPT 26 OR 28 AWG STRANDED WIRE HAVING A MAXIMUM INSULATION DIAMETER OF 0.99[.039] AND A MAXIMUM DIAMETER ROUND CABLE JACKET OF 2.54 [.100] OR OVAL CABLE JACKET OF 2.29 x 4.83[.090 x .190] MAXIMUM.
- 4 TERMINATED DIMENSION 6.15[.242] MAXIMUM.
- 5 10 ASSEMBLIES PER PACKAGE.
- 6 10,000 ASSEMBLIES PER PACKAGE.
- 7 1000 ASSEMBLIES PER PACKAGE.
- 8 100 ASSEMBLIES PER PACKAGE.
- 10 REELED PRODUCT ON STRIP DOES NOT HAVE VOID CORING ILLUSTRATED ON THIS DRAWING.

SUPERSEDED BY 5-641335-7	5	6-641335-3
	8	5-641335-3
	7	5-641335-2
SUPERSEDED BY 5-641335-2	6	5-641335-1
<b>OBSELETE</b>	REELED 10	641335-1
	PACKAGED	PART NO

THIS DRAWING IS A CONTROLLED DOCUMENT.		DWN	YTP/JTA	9-1-93	<b>TE</b> TE Connectivity																												
DIMENSIONS: mm [INCHES]		CHK	C.WHITT	9-15-93																													
TOLERANCES UNLESS OTHERWISE SPECIFIED:		APVD	J.TONEY	9-20-93																													
<table border="0"> <tr><td>0 PLC</td><td>±</td><td>-</td><td>1</td></tr> <tr><td>1 PLC</td><td>±</td><td>-</td><td></td></tr> <tr><td>2 PLC</td><td>±</td><td>-</td><td></td></tr> <tr><td>3 PLC</td><td>±</td><td>-</td><td></td></tr> <tr><td>4 PLC</td><td>±</td><td>-</td><td></td></tr> <tr><td>ANGLES</td><td>±</td><td>-</td><td></td></tr> <tr><td>FINISH</td><td>-</td><td>2</td><td></td></tr> </table>		0 PLC	±	-		1	1 PLC	±	-		2 PLC	±	-		3 PLC	±	-		4 PLC	±	-		ANGLES	±	-		FINISH	-	2		PRODUCT SPEC	108-1163	NAME
0 PLC	±	-	1																														
1 PLC	±	-																															
2 PLC	±	-																															
3 PLC	±	-																															
4 PLC	±	-																															
ANGLES	±	-																															
FINISH	-	2																															
MATERIAL	- 2	APPLICATION SPEC	114-6016	SIZE	A2																												
		WEIGHT	-	CAGE CODE	00779																												
		CUSTOMER DRAWING		DRAWING NO	C-641335																												
				RESTRICTED TO	-																												
				SCALE	4:1																												
				SHEET	1 of 1																												
				REV	AB																												

## X-ON Electronics

Largest Supplier of Electrical and Electronic Components

*Click to view similar products for [Modular Connectors / Ethernet Connectors](#) category:*

*Click to view products by [TE Connectivity](#) manufacturer:*

Other Similar products are found below :

[RJE231881317T](#) [MP1010RX-1000](#) [MP44RX-1000](#) [GAX-3-66](#) [GAX-8-62](#) [93606-0253](#) [GD-A-44](#) [GDCX-PA-66-50](#) [GDCX-PN-64](#) [GDCX-PN-66](#) [GDCX-PN-66-50](#) [GDLX-A-66](#) [GDLX-A-88](#) [GDLX-N-66](#) [GDLX-S-66](#) [GDLX-S-88K](#) [GDTX-S-88-50](#) [GDX-PA-1010](#) [GLX-N-1010M-BLK](#) [GLX-S-88M-BLK](#) [GMX-N-1010](#) [GMX-S-1010](#) [GMX-S-66](#) [GMX-SMT2-N-1010](#) [GMX-SMT2-N-64-50](#) [GMX-SMT2-N-88](#) [GMX-SMT2-S6-88](#) [GMX-SMT4-N-88](#) [GPX-2-64](#) [GRT1-BT1-5](#) [GSGX-N-2-88](#) [GSX-NS2-88-3.05](#) [GSX-NS2-88-3.05-50](#) [GSX-NS-88-3.05-30](#) [GSX-NS-88-3.05-50](#) [GSX-NS-88-3.68](#) [1-1775629-2](#) [GWLX-S-88-GR](#) [GWLX-S9-88-YG](#) [1300500326](#) [1300500227](#) [1300530003](#) [1300570002](#) [1324640-4](#) [RJ11FTVC2G](#) [RJ11FTVC2N](#) [RJFTVX2SA1G](#) [132764-001](#) [1400000](#) [1413235](#)