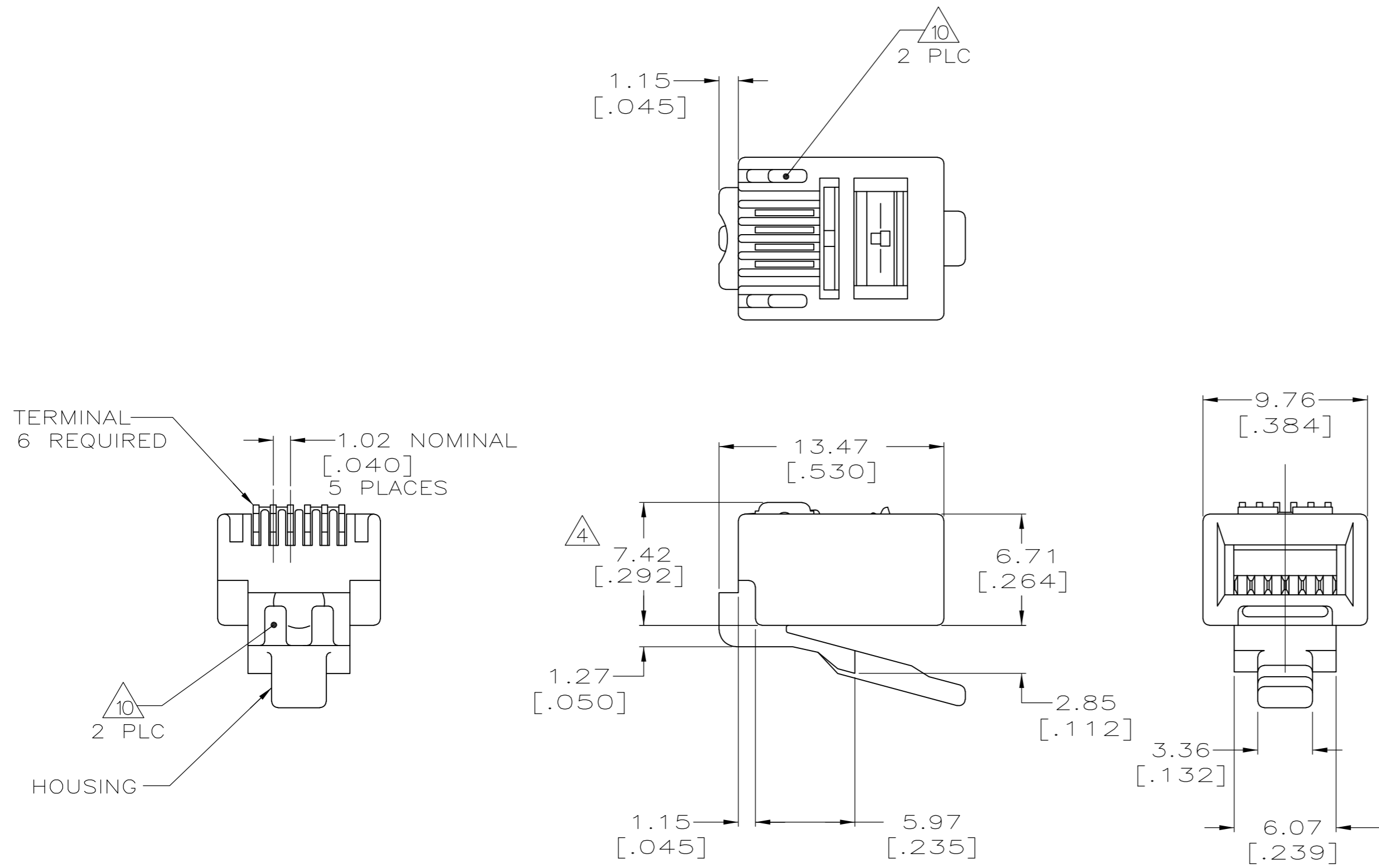


THIS DRAWING IS UNPUBLISHED. RELEASED FOR PUBLICATION
 © COPYRIGHT - By - ALL RIGHTS RESERVED.

LOC	DIST	REVISIONS			
P	LTR	DESCRIPTION	DATE	DWN	APVD
HM	00	AC	REV PER ECO-15-007385	19MAY2015	GG LS

- ① DIMENSIONS ARE MAXIMUM UNLESS OTHERWISE SPECIFIED.
- ② MATERIAL: HOUSING—POLYCARBONATE,CLEAR. TERMINAL - .36 [.014] THICK PHOSPHOR BRONZE PLATED WITH .178 μ m[.000007] THICK GOLD IN LOCALIZED PLATE AREA, OVER .762 μ m[.000030] THICK PALLADIUM NICKEL IN LOCALIZED PLATE AREA OVER 2.54 μ m[.000100] THICK NICKEL ON ENTIRE CONTACT.
- ③ PLUG WILL ACCEPT 26 OR 28 AWG STRANDED OR TINSEL WIRE HAVING AN INSULATION DIAMETER OF 0.89 - 0.99[.035 - .039] AND A MAXIMUM OVAL CABLE JACKET OF 2.29 x 6.61[.090 x .260].
- ④ TERMINATED DIMENSION 6.15[.242] MAXIMUM.
- ⑤ 10 ASSEMBLIES PER PACKAGE.
- ⑥ 10,000 ASSEMBLIES PER PACKAGE.
- ⑦ 1000 ASSEMBLIES PER PACKAGE.
- ⑧ 100 ASSEMBLIES PER PACKAGE.



SUPERSEDED BY 5-641337-4	⑤	6-641337-3
	⑧	5-641337-3
	⑦	5-641337-2
SUPERSEDED BY 5-641337-2	⑥	5-641337-1
SUPERSEDED BY 5-641337-2	REELED ⑩	641337-1
	PACKAGED	PART NO

THIS DRAWING IS A CONTROLLED DOCUMENT.		DWN	9-3-93	YTP/JTA	
DIMENSIONS: mm [INCHES]		CHK	9-15-93	C.WHITT	
TOLERANCES UNLESS OTHERWISE SPECIFIED:		APVD	9-20-93	J.TONEY	
0 PLC	± -	PRODUCT SPEC	108-1163		
1 PLC	± -	APPLICATION SPEC	114-6016		
2 PLC	± -	WEIGHT	-		
3 PLC	± -	CUSTOMER DRAWING	SCALE 4:1 SHEET 1 OF 1 REV AC		
4 PLC	± -				
ANGLES	± -				
FINISH	- ②				

X-ON Electronics

Largest Supplier of Electrical and Electronic Components

Click to view similar products for [Modular Connectors / Ethernet Connectors](#) category:

Click to view products by [TE Connectivity](#) manufacturer:

Other Similar products are found below :

[8949-H88/06BLKA/SN](#) [74441-0010/BKN](#) [PHP-6P6C-5](#) [GAX-3-66](#) [GDCX-PN-66](#) [GLX-A-44](#) [GLX-N-1010M-BLK](#) [GLX-S-88M-BLK](#)
[GMX-SMT4-N-88](#) [GSGX-N-2-88](#) [GSGX-N-4-88](#) [GSX-NS2-88-3.05](#) [GSX-NS-88-3.68](#) [PT-108A-8C-UL](#) [PTS-J531-8CS-50UL](#) [A-2014-0-4](#)
[GWLX-S9-88-YG](#) [DC-1021-8-WH-6](#) [1300530003](#) [1324640-4](#) [132764-001](#) [1413235](#) [MPS88RX-5000](#) [E5288-S000K3-L](#) [155302-001](#)
[AX101050](#) [AX101063](#) [AX101065](#) [AX101072](#) [AX101307](#) [AX101315](#) [AX101318](#) [AX102271](#) [AX102277](#) [AX102651](#) [AX102660](#) [AX104024](#)
[203475](#) [PC4D0018P](#) [KIT38082NI](#) [8949-B88/6](#) [2-6609208-5](#) [30-8956](#) [30-8964-100](#) [SM85](#) [SM99S01VBNN04G7](#) [17-103540](#) [191587](#) [PDI-68-RV](#) [PHP-8P8C-S-5](#)