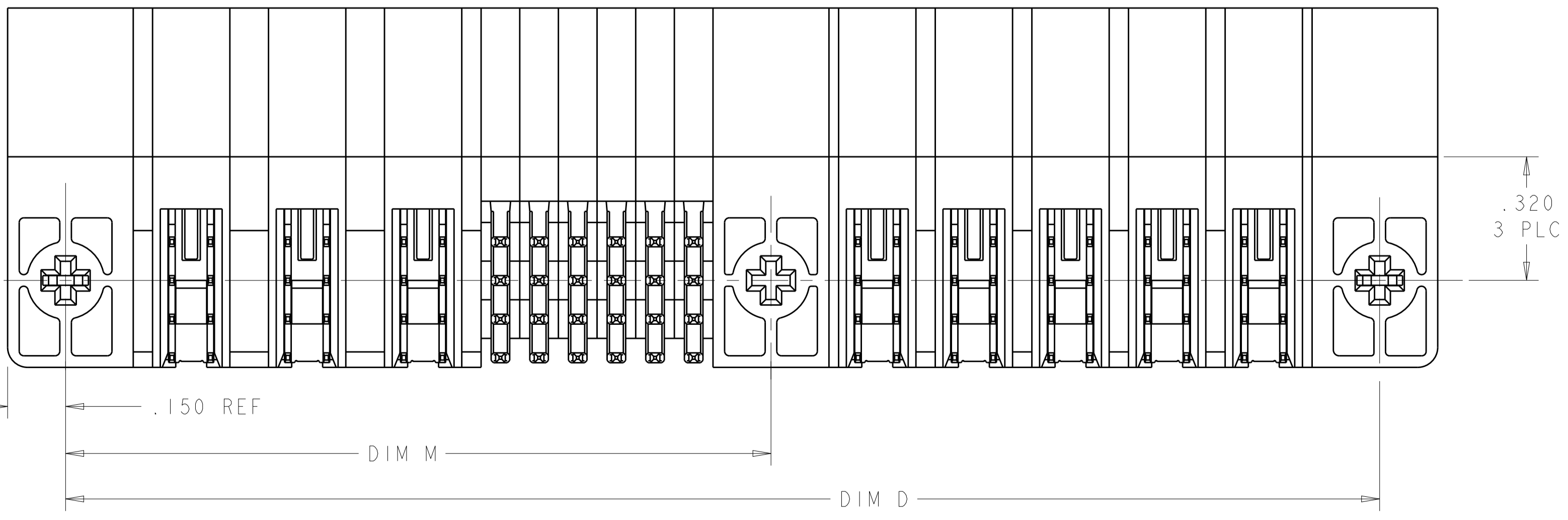
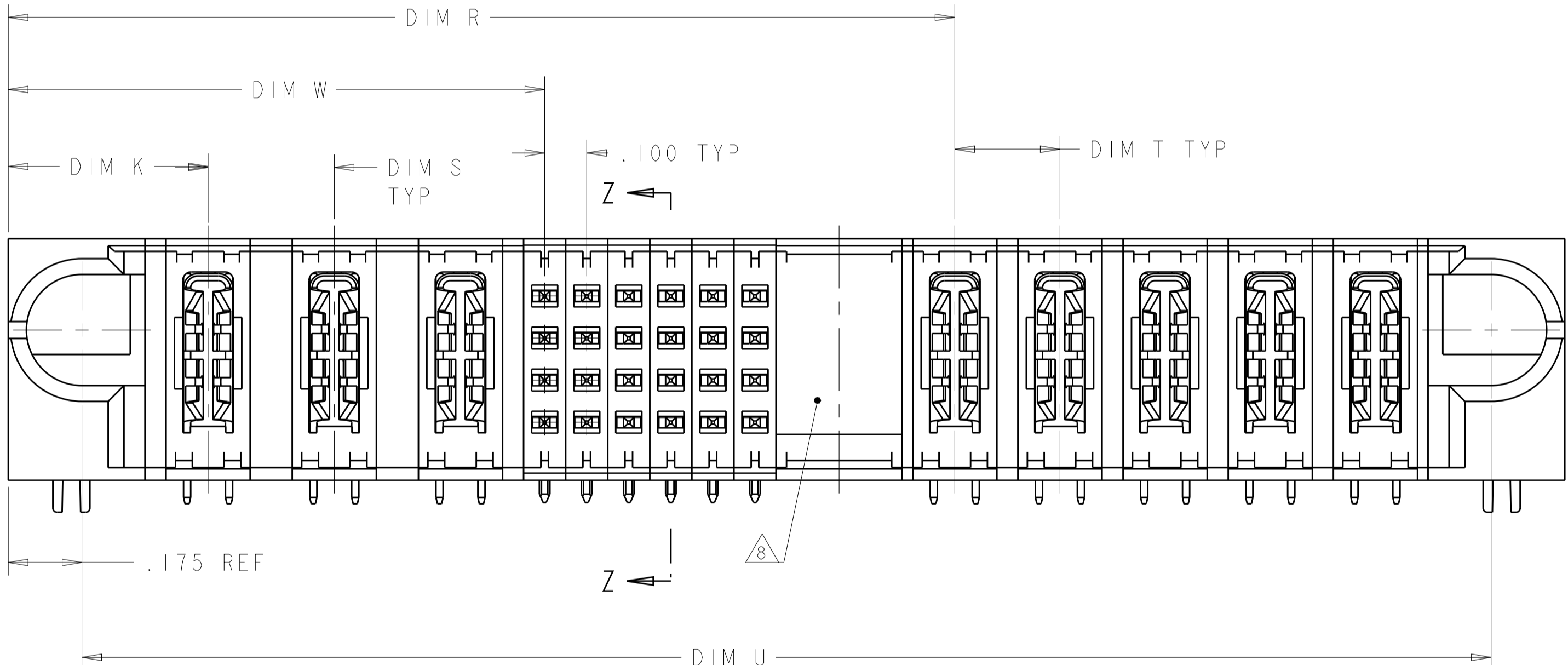
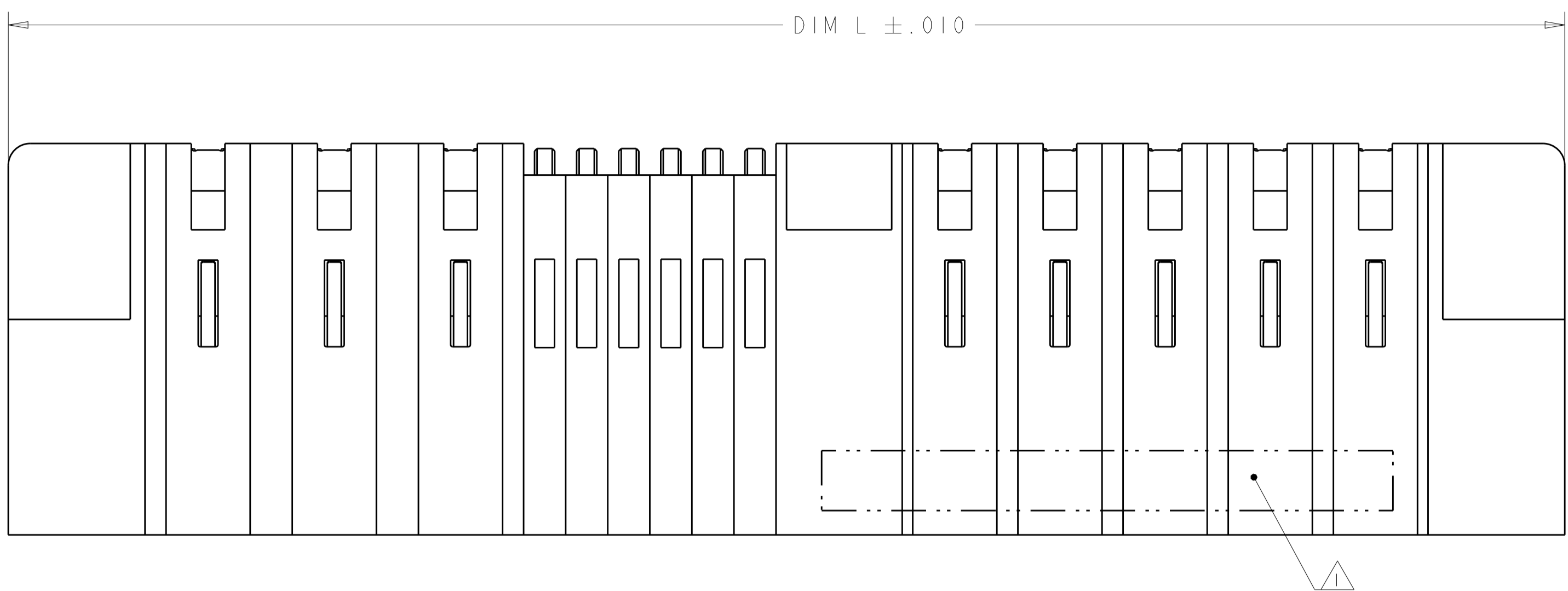
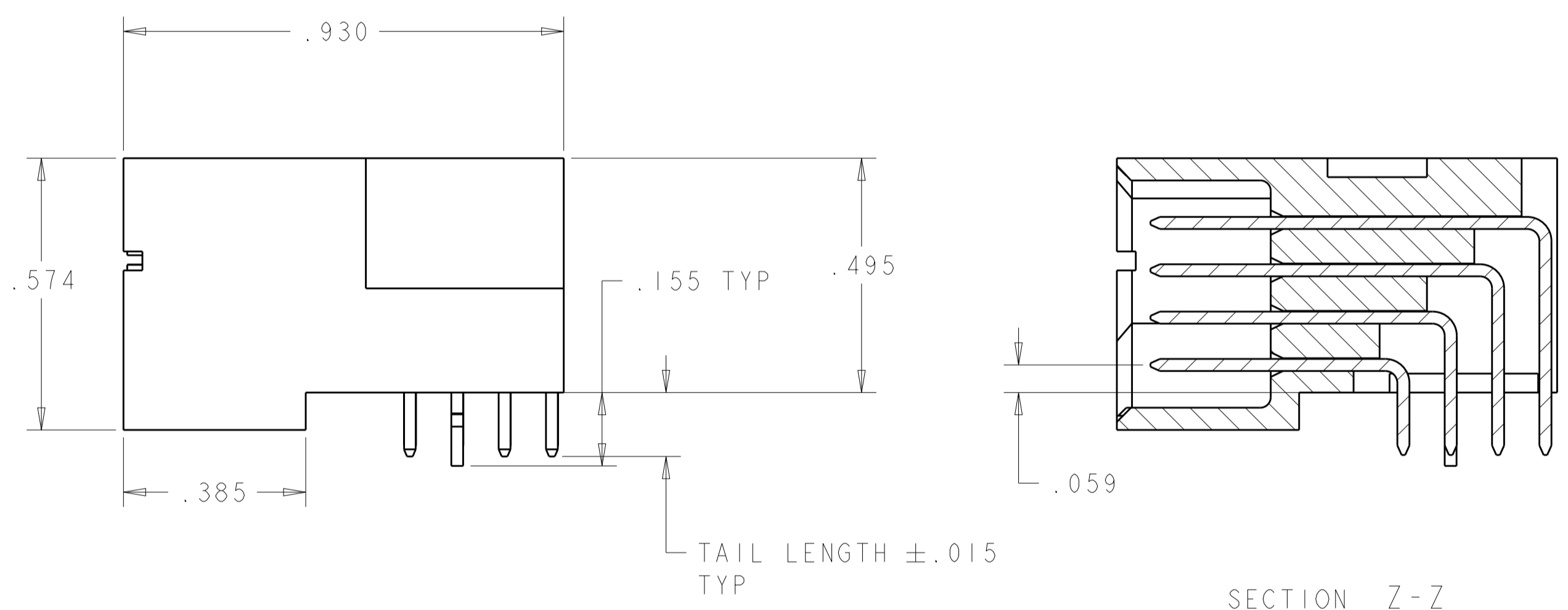


LOC	DIST	REVISIONS					
		P	LTN	DESCRIPTION	DATE	DWN	APVD
ES	00	M1		ADD NEW DASH NUMBER 7-0	08FEB2014	AL	SZ
		M2		ADD NEW DASH NUMBER	21MAR2014	AL	SZ



- 1 "AMP" PART NUMBER AND DATE CODE TO BE MARKED IN AREA SHOWN. PARTS UNDER 2.500 LONG MAY BE MARKED ON BOTH SIDES.
- 2 MATERIAL: HOUSING - GLASS FILLED HIGH TEMP THERMO PLASTIC, UL 94 V-0
 SIGNAL CONTACT - COPPER ALLOY
 POWER CONTACT - HIGH CONDUCTIVITY COPPER ALLOY.
- 3 CONTACT FINISHE:
 NOBLE METAL PLATED ON THE CONTACT FUNCTIONAL AREA OF POWER AND SIGNAL CONTACTS.
- 4 MECHANICAL CONNECTOR KEEP OUT ZONE. WHEN PLACING CONNECTORS END-TO-END, ALLOW ADDITIONAL 0.1 CLEARANCE BETWEEN CONNECTORS FOR LATCH ACTIVATION.
- 5 DATUM AND BASIC DIMENSIONS ESTABLISHED BY CUSTOMER.
- 6 PCB - ALL HOLE DIAMETERS ARE FINISHED HOLE SIZES.
- 7 PCB - .0453 \pm .0010 DRILLED HOLES PLATED WITH .0003 MIN Sn OVER .001 TO .003 Cu PLATING TO ACHIEVE A .040 DIA HOLE.
- 8 OPTIONAL CENTER MODULE WITH \varnothing .150 THRU HOLE OR HOLD DOWN FEATURE.



THIS DRAWING IS A CONTROLLED DOCUMENT.

DWN: R.GRZYBOWSKI 02FEB05
 CHK: M.PERCHEKKE 02FEB05
 APVD: M.PERCHEKKE 02FEB05

STE TE Connectivity

NAME: RIGHT ANGLE HEADER W/GUIDES ASSEMBLY MULTI-BEAM XL

PRODUCT SPEC: 108-1973
 APPLICATION SPEC: 114-13038

SIZE: A1
 CAGE CODE: 6450120
 DRAWING NO: 100779

RESTRICTED TO: -

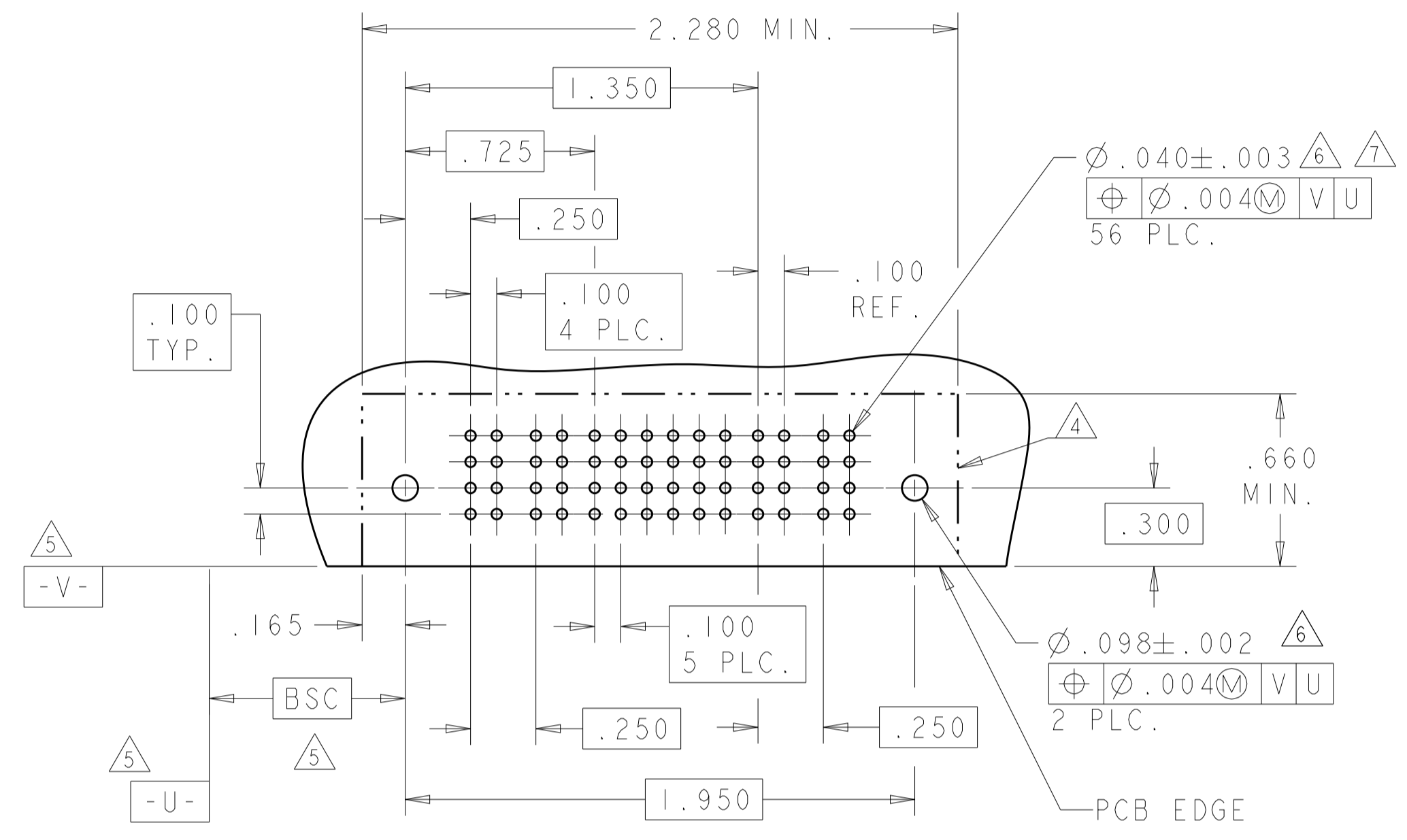
MATERIAL: FINISH:

CUSTOMER DRAWING

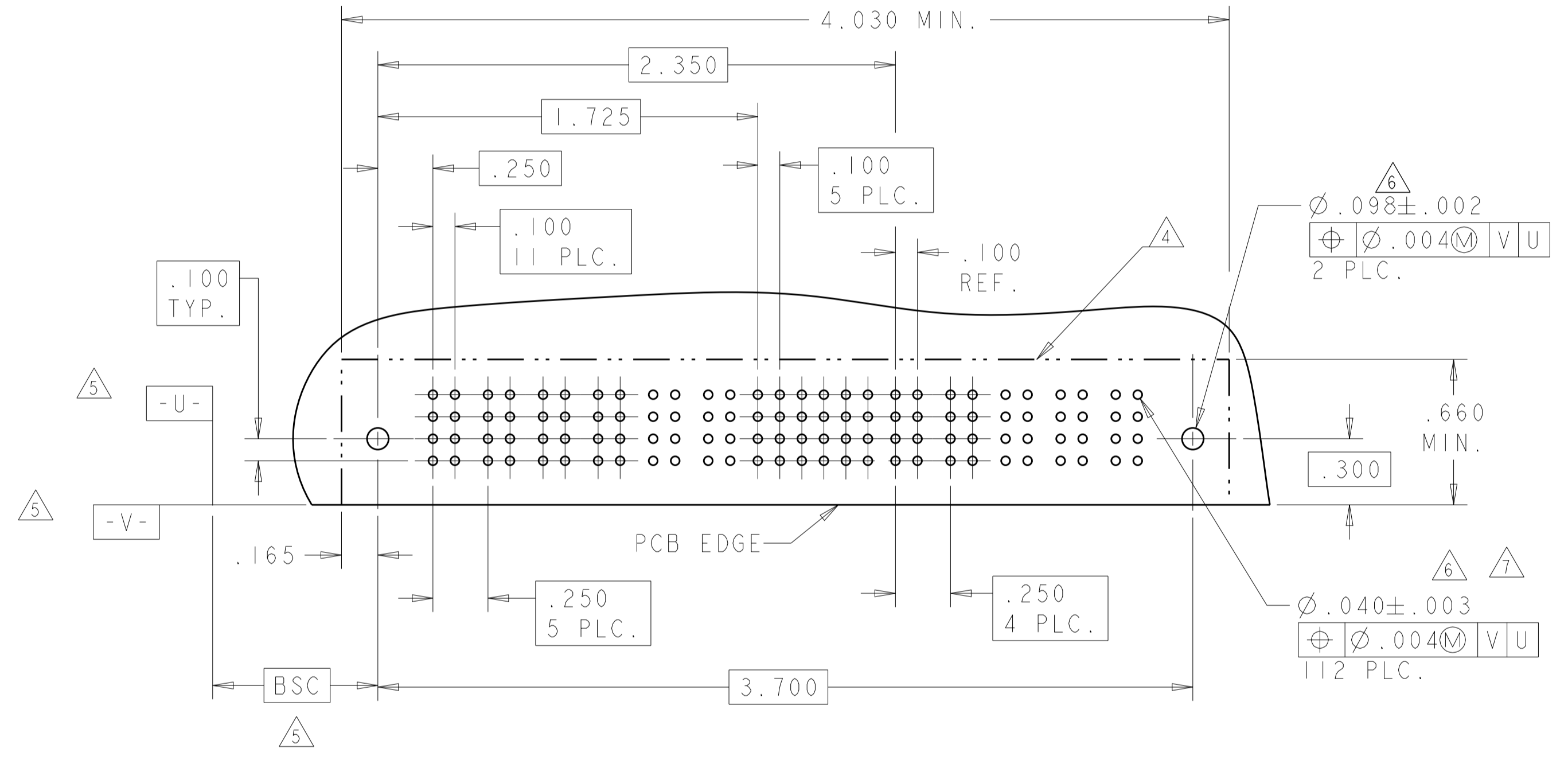
SCALE: 4:1 SHEET 1 OF 24 REV: M2

LOC	DIST	REV	DATE	BY	APPV
ES	00				

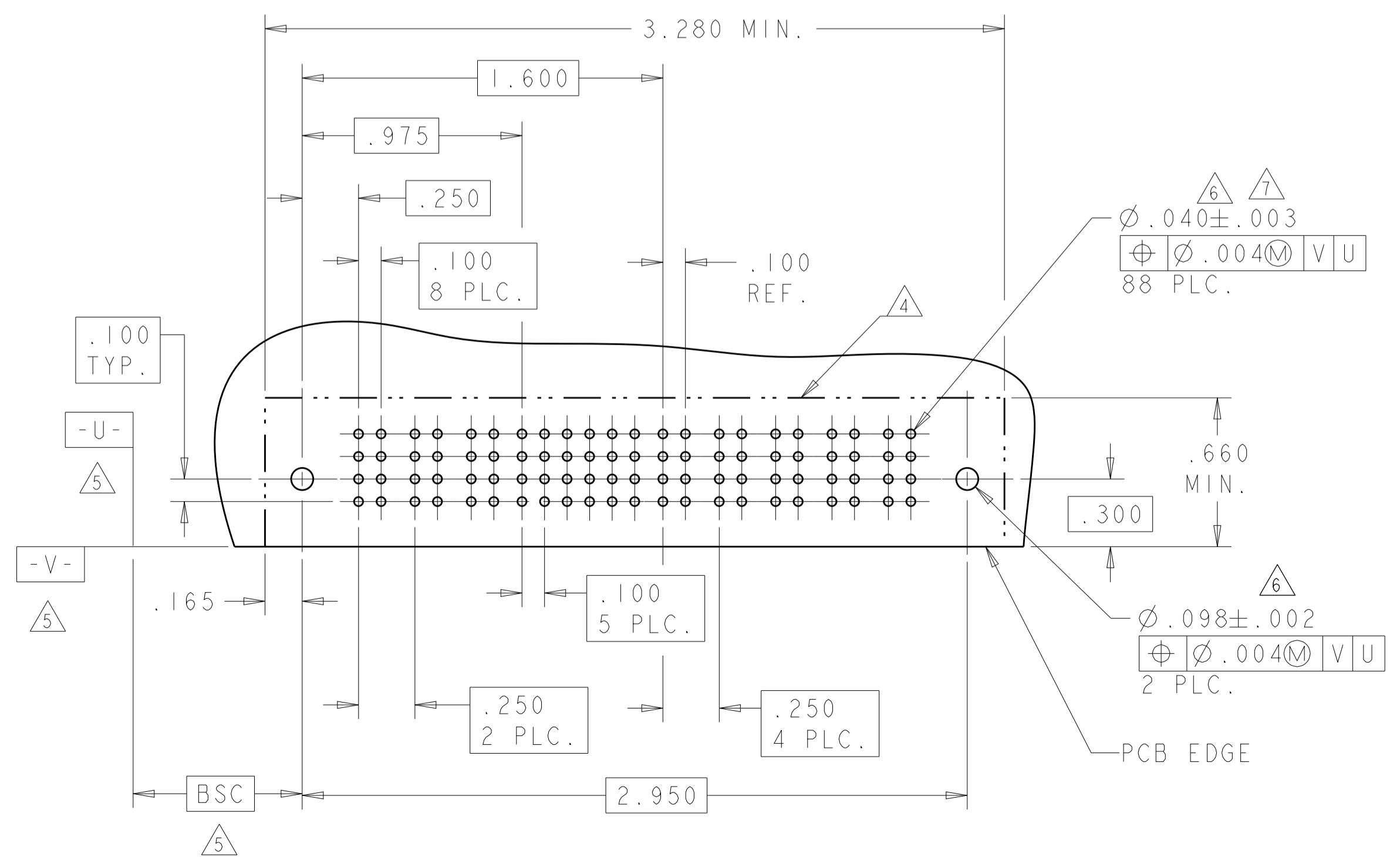
PART NUMBER	ROWS	POWER		SIGNAL						POWER			
		P1	P2	1	2	3	4	5	6	P3	P4		
6450120-2	D C B A	PM	PM	J	J	J	J	J	J	PM	PM	HD	HD
				K	K	K	K	K	K				
				N	N	N	N	N	N				
				S	S	S	S	S	S				
2P + 24S + 2P													



PART NUMBER	ROWS	POWER						SIGNAL						POWER							
		P1	P2	P3	P4	P5	P6	1	2	3	4	5	6	P7	P8	P9	P10	P11			
6450120-4	D C B A	PM	PM	PM	PM	PM	PM	J	J	J	J	J	J	PM	PM	PM	PM	PM	PM	HD	HD
								K	K	K	K	K	K								
								N	N	N	N	N	N								
								S	S	S	S	S	S								
6P + 24S + 5P																					



PART NUMBER	ROWS	POWER			SIGNAL						POWER							
		P1	P2	P3	1	2	3	4	5	6	P4	P5	P6	P7	P8			
6450120-3	D C B A	PM	PM	PM	J	J	J	J	J	J	PM	PM	PM	PM	PM	PM	HD	HD
					K	K	K	K	K	K								
					N	N	N	N	N	N								
					S	S	S	S	S	S								
3P + 24S + 5P																		



H	MLBF	.135	A
G	MLBF	.135	B
F	MLBF	.135	C
E	MLBF	.135	D
L4	STD	.165	D
L3	STD	.165	B
L2	STD	.165	C
L1	STD	.165	A
Z	STD	.090	D
Y	STD	.090	C
R	STD	.090	B
O	STD	.090	A
F	MLBF	.135	C
G	MLBF	.135	B
J	STD	.135	D
K	STD	.135	C
N	STD	.135	B
S	STD	.135	A
CODE	MATING SEQUENCE	TAIL LENGTH	ROW
SIGNAL CONTACT			

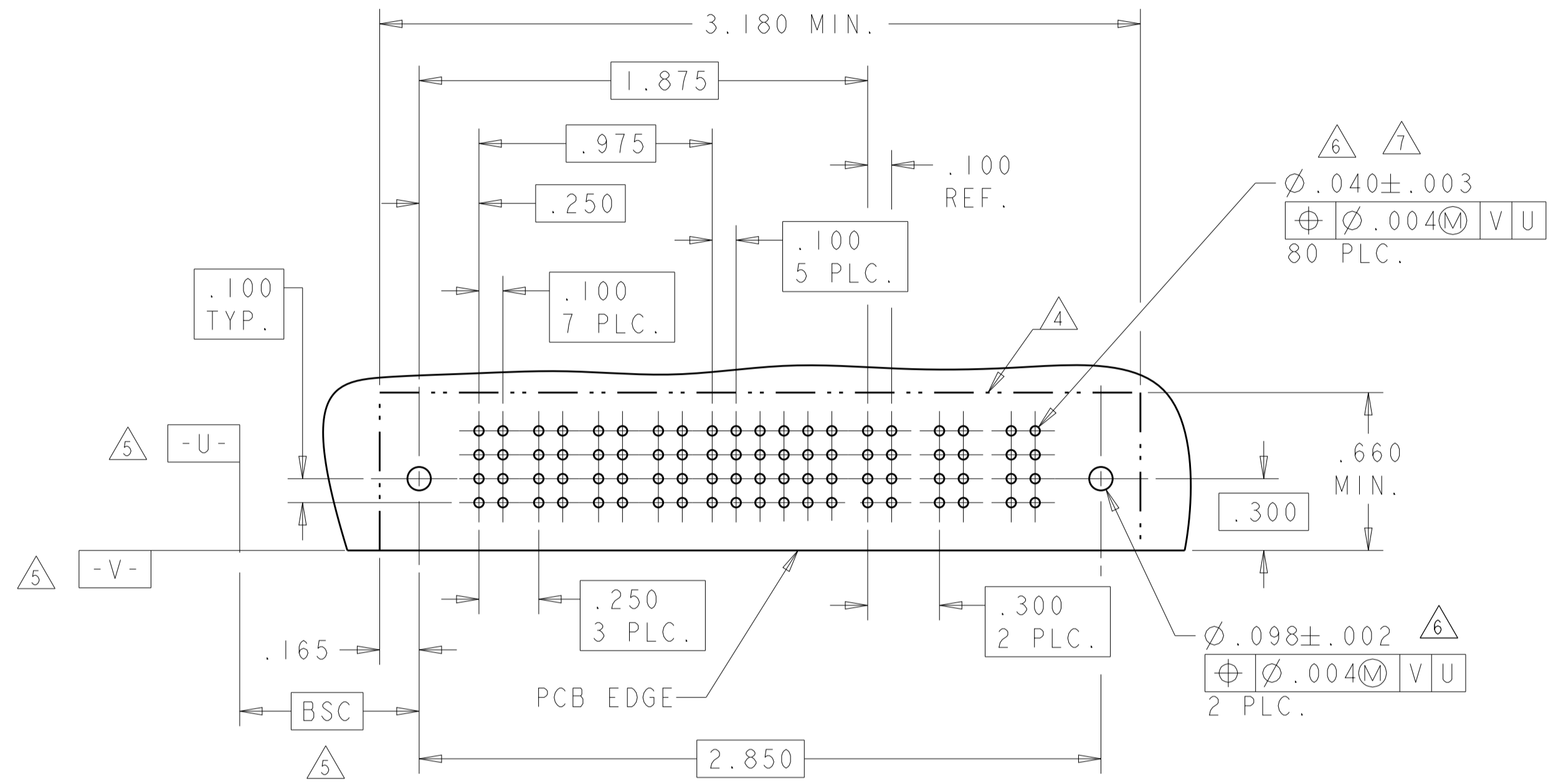
PD	.165
PA	.090
PM	.135
CODE	TAIL LENGTH
POWER CONTACT	

THIS DRAWING IS A CONTROLLED DOCUMENT. **STE** TE Connectivity

DIMENSIONS: INCHES	TOLERANCES UNLESS OTHERWISE SPECIFIED:	0 PLC ±.01	1 PLC ±.01	2 PLC ±.01	3 PLC ±.01	4 PLC ±.005	5 PLC ±.005	6 PLC ±.002	ANGLES ±.020
MATERIAL	FINISH	NAME: RIGHT ANGLE HEADER W/GUIDES ASSEMBLY MULTI-BEAM XL		SIZE: A100779	CAGE CODE: C=6450120	DRAWING NO: 108-1973	APPLICATION SPEC: 114-13038	WEIGHT	RESTRICTED TO: 3 OF 24
CUSTOMER DRAWING		SCALE: 4:1		SHEET: 3		REV: M2			

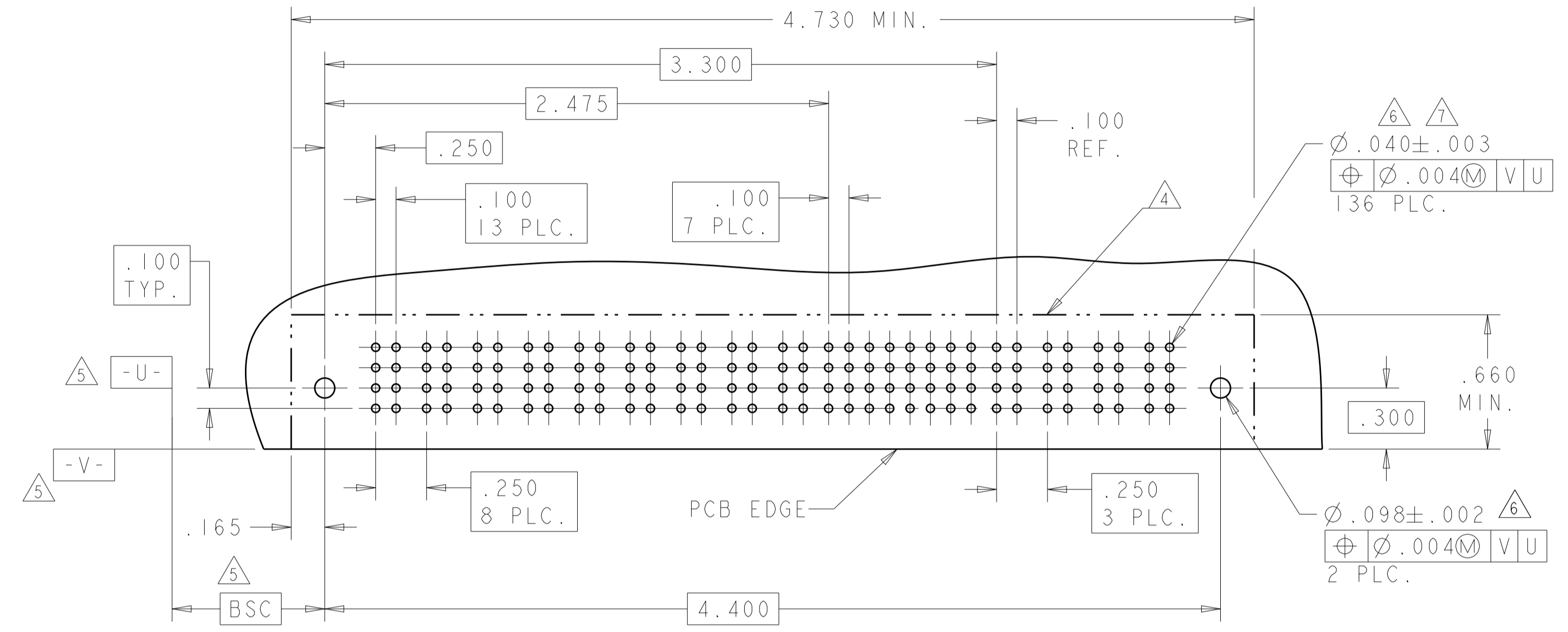
PART NUMBER	ROWS	POWER				SIGNAL						POWER		
		P1	P2	P3	P4	1	2	3	4	5	6	P5	P6	P7
6450120-8	D	PM	PM	PM	PM	J	J	J	J	J	J	PM	PM	PM
	C					K	K	K	K	K	K			
	B					N	N	N	N	N	N			
	A					S	S	S	S	S	S			

4P + 24S + 3ACP



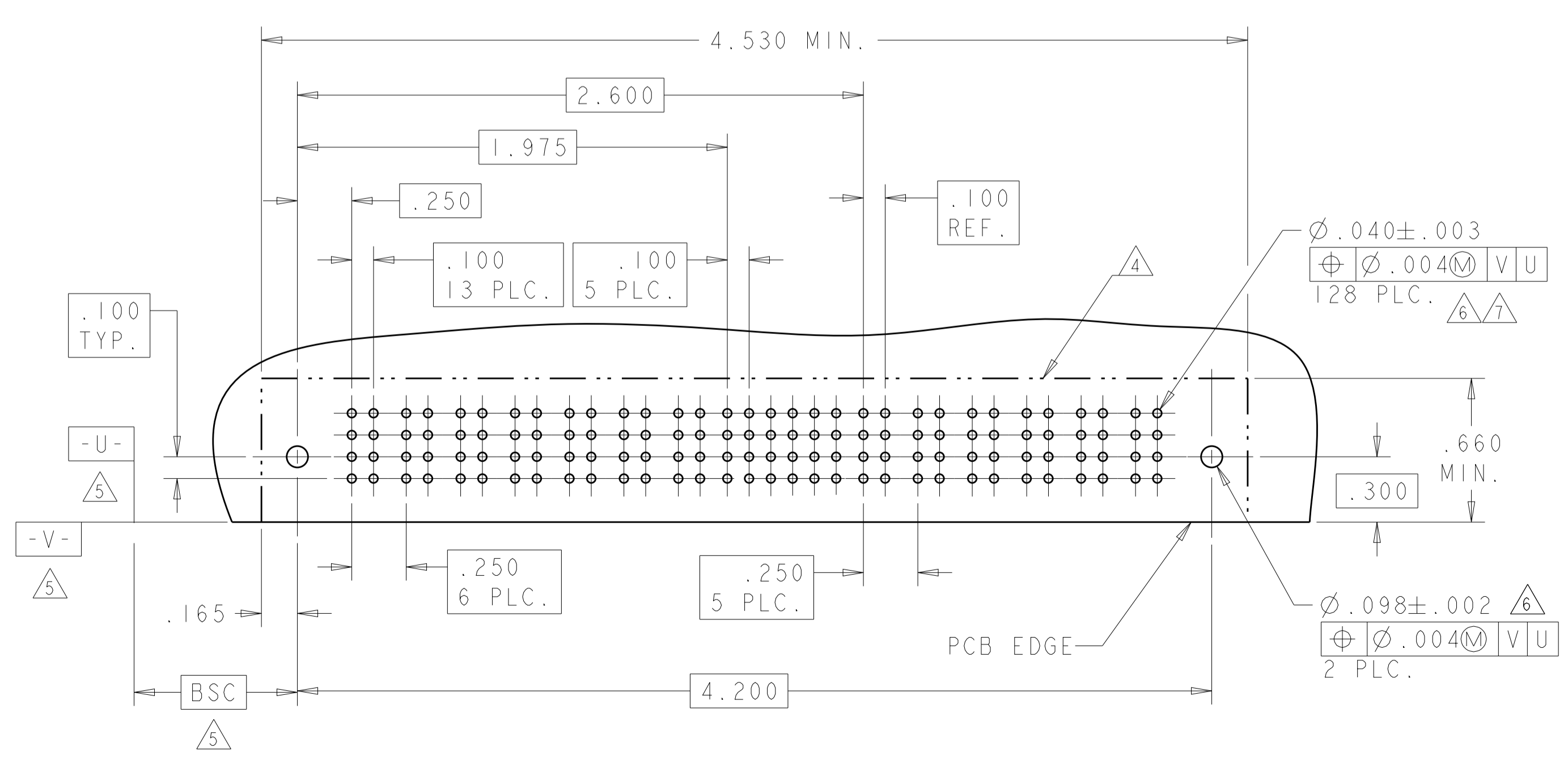
PART NUMBER	ROWS	POWER									SIGNAL								POWER			
		P1	P2	P3	P4	P5	P6	P7	P8	P9	1	2	3	4	5	6	7	8	P10	P11	P12	P13
1-6450120-0	D	PM	PM	PM	PM	PM	PM	PM	PM	PM	J	J	J	J	J	J	J	PM	PM	PM	PM	
	C										K	K	K	K	K	K	K					
	B										N	N	N	N	N	N	N					
	A										S	S	S	S	S	S	S					

9P + 32S + 4P



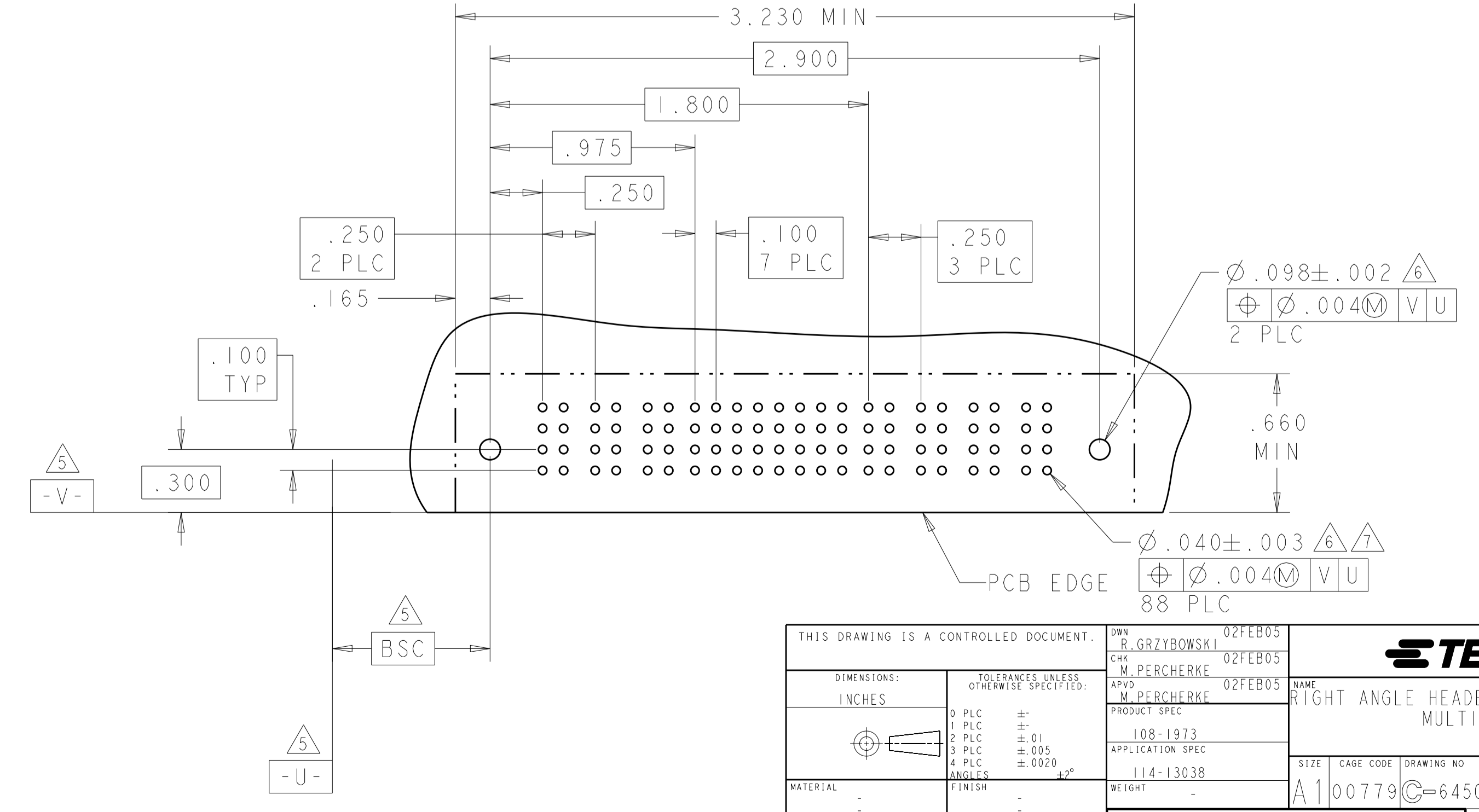
PART NUMBER	ROWS	POWER							SIGNAL						POWER				
		P1	P2	P3	P4	P5	P6	P7	1	2	3	4	5	6	P8	P9	P10	P11	P12
6450120-9	D	PM	PM	PM	PM	PM	PM	J	J	J	J	J	J	PM	PM	PM	PM	PM	PM
	C							K	K	K	K	K	K						
	B							N	N	N	N	N	N						
	A							S	S	S	S	S	S						

7P + 24S + 6P



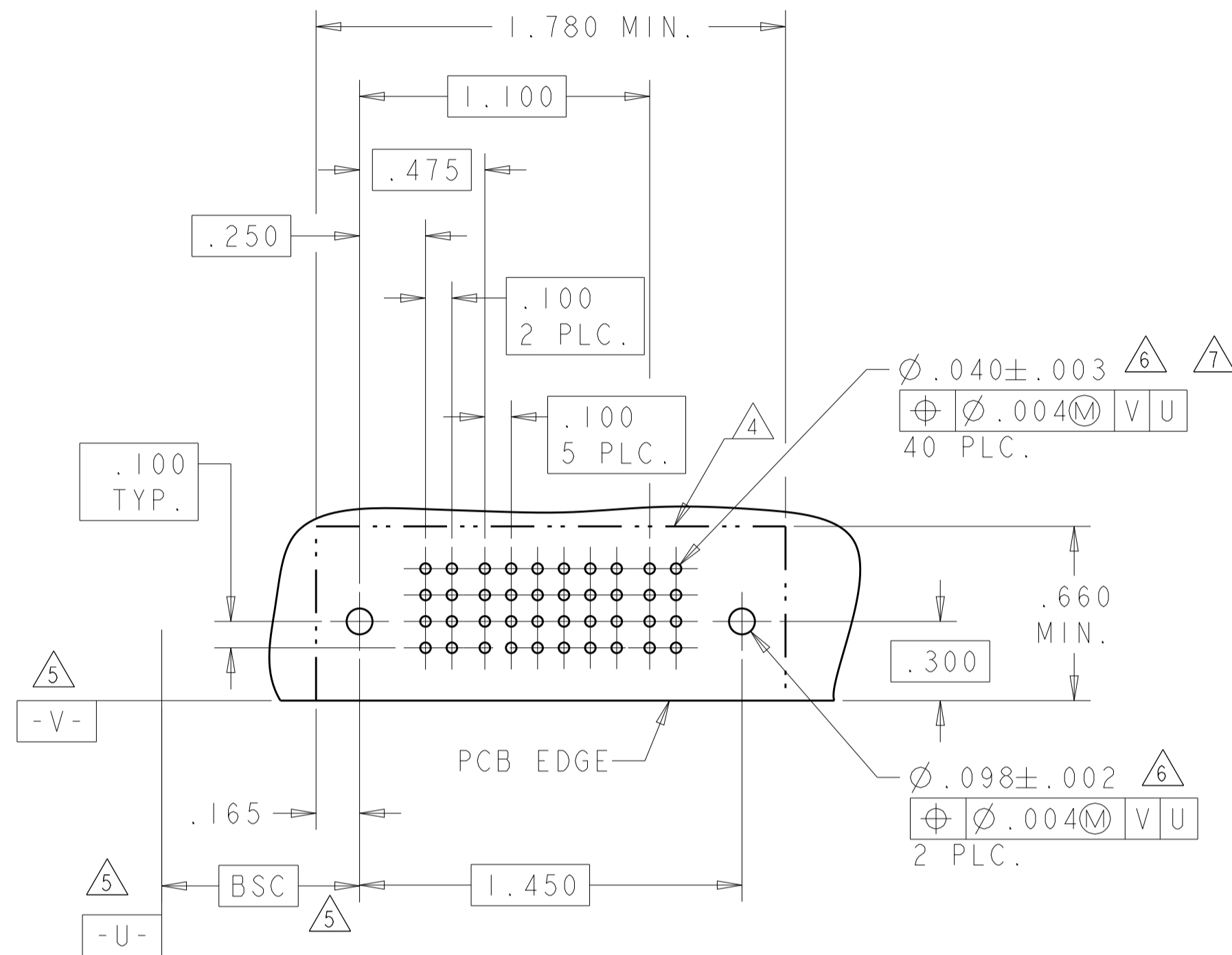
PART NUMBER	ROWS	POWER			SIGNAL								POWER			
		P1	P2	P3	1	2	3	4	5	6	7	8	P4	P5	P6	P7
2-1450120-1	4	PM	PM	PM	J	J	J	J	J	J	J	J	PM	PM	PM	PM
	3				K	K	K	K	K	K	K					
	2				N	N	N	N	N	N	N					
	1				S	S	S	S	S	S	S					

3P + 32S + 4P



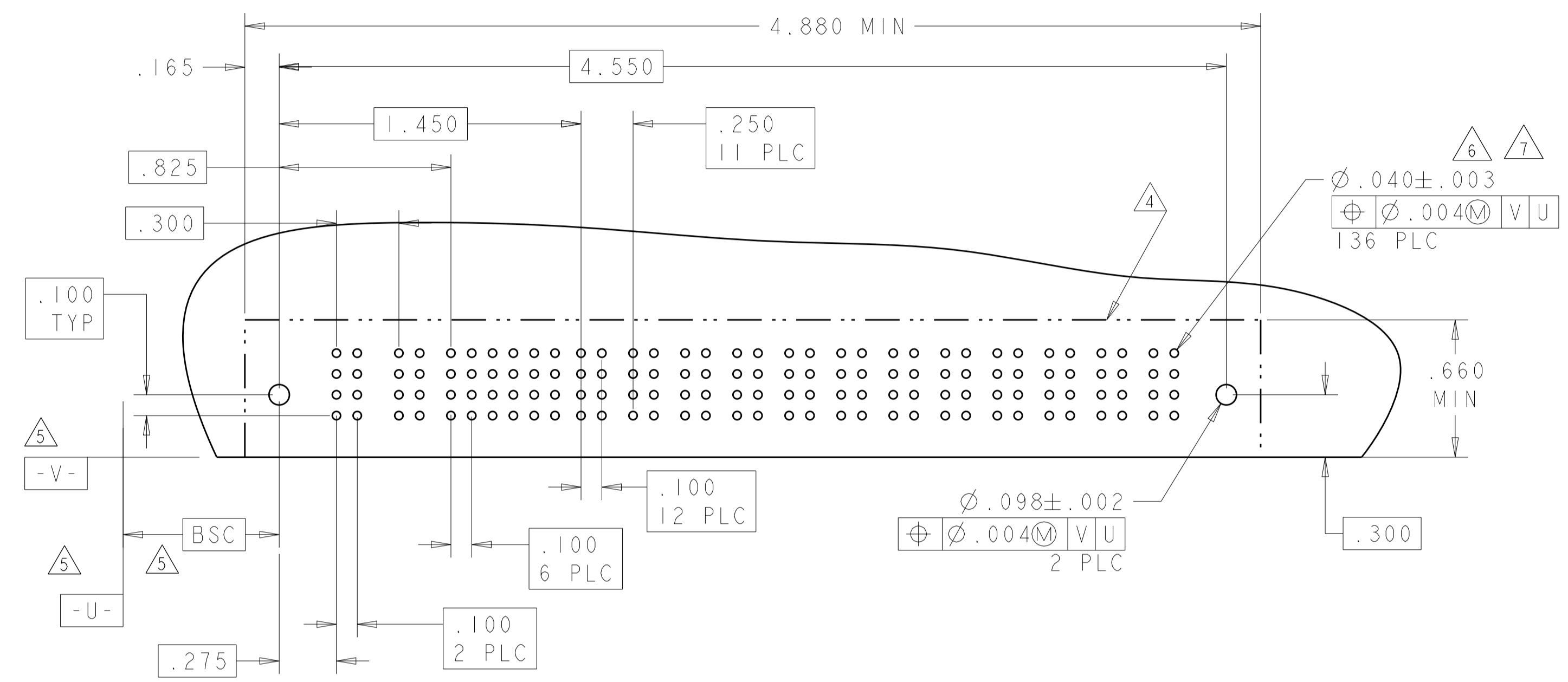
THIS DRAWING IS A CONTROLLED DOCUMENT.		DWN: R. GRZYBOWSKI 02FEB05		STE TE Connectivity
DIMENSIONS: INCHES		CHK: M. PERCHERKE 02FEB05		
TOLERANCES UNLESS OTHERWISE SPECIFIED:		NAME: RIGHT ANGLE HEADER W/GUIDES ASSEMBLY MULTI-BEAM XL		
0 PLC ±. 1 PLC ±.01 2 PLC ±.01 3 PLC ±.005 4 PLC ±.002 ANGLES ±.002		PRODUCT SPEC: 108-1973		
MATERIAL:		APPLICATION SPEC: 114-13038		
FINISH:		WEIGHT:		
CUSTOMER DRAWING		SCALE: 4:1		
SIZE: A1		SHEET 5 OF 24		

PART NUMBER	ROWS	POWER		SIGNAL						POWER			
		P1	P2	1	2	3	4	5	6	P7	P8		
1-6450120-6	D	PA	PA	Z	Z	Z	Z	Z	Z	PA	PA	HD	HD
	C			Y	Y	Y	Y	Y	Y				
	B			R	R	R	R	R	R				
A	O	O	O	O	O	O							
IP + 24S + IP													

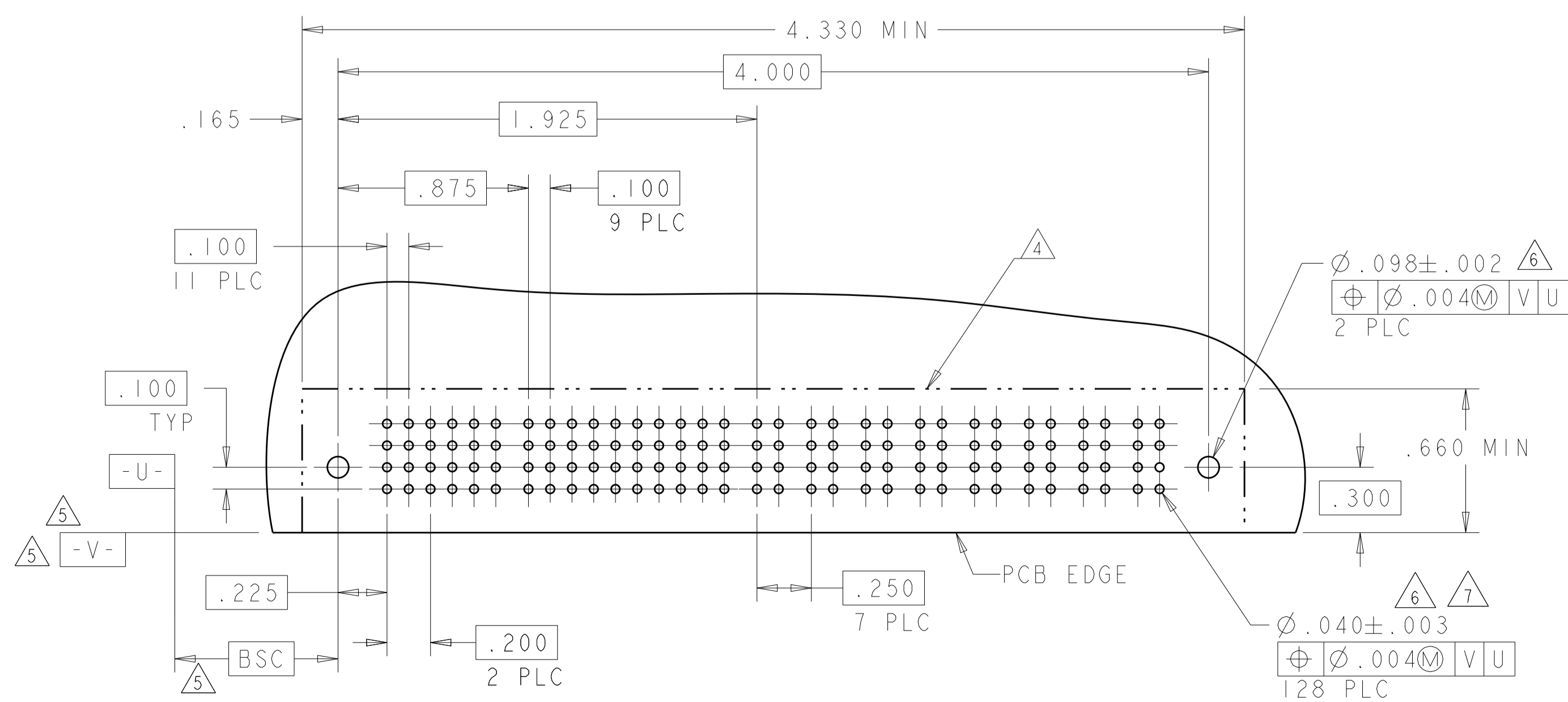


LOC	DIST	REV	DATE	BY	CHKD	APVD
ES	00					

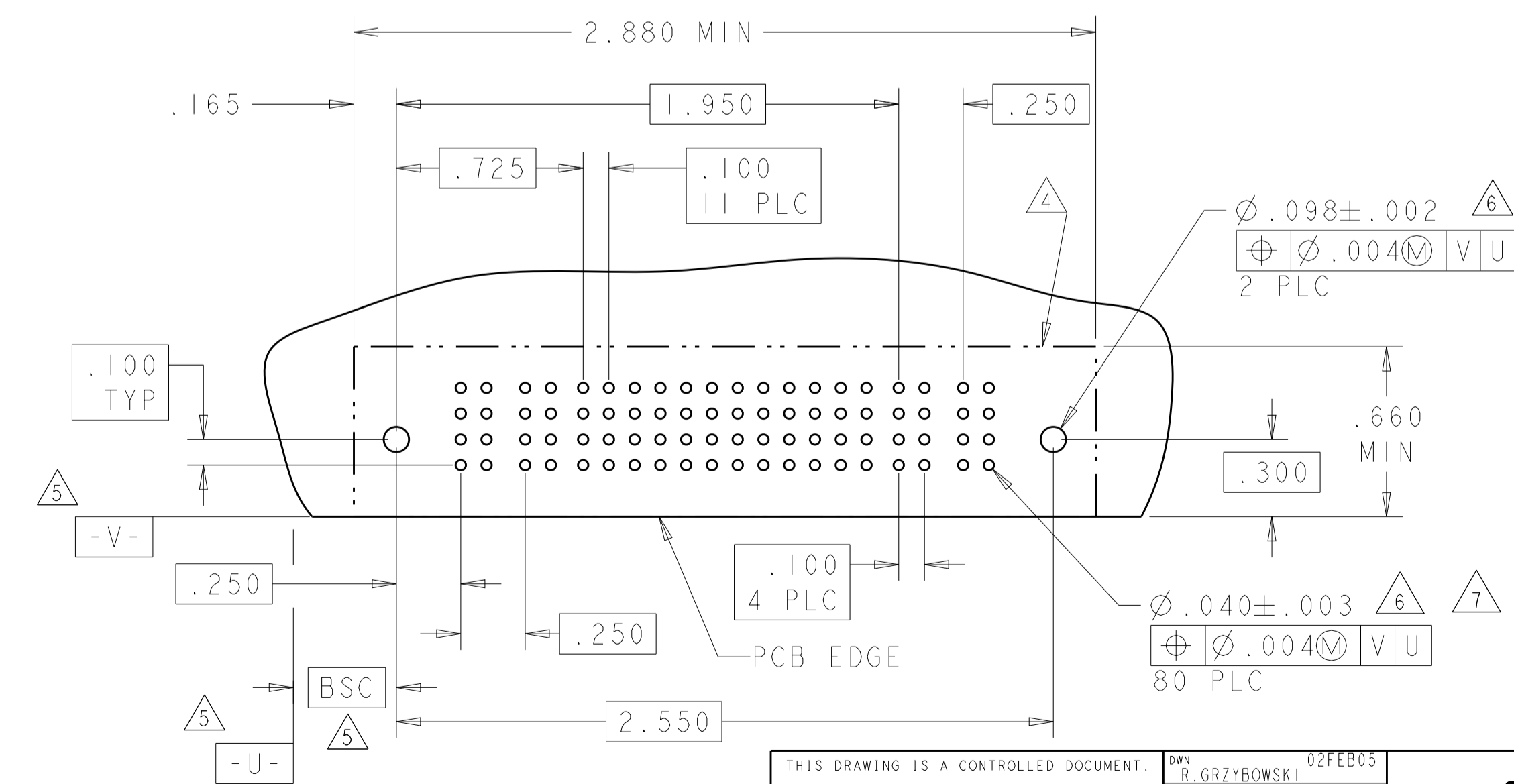
PART NUMBER	ROWS	POWER		SIGNAL						POWER														
		P1	P2	1	2	3	4	5	6	P3	P4	P5	P6	P7	P8	P9	P10	P11	P12	P13	P14			
2-6450120-2	D	PM	PM	J	J	J	J	J	J	PM	PM	PM	PM	PM	PM	PM	PM	PM	PM	PM	PM	PM	PM	PM
	C			K	K	K	K	K	K															
	B			N	N	N	N	N	N															
A	S	S	S	S	S	S																		
2ACP + 24S + 12P																								



PART NUMBER	ROWS	POWER			SIGNAL										POWER										
		P1	P2	P3	1	2	3	4	5	6	7	8	9	10	P4	P5	P6	P7	P8	P9	P10	P11			
2-6450120-0	D	PM	PM	PM	J	J	J	J	J	J	J	J	J	J	PM	PM	PM	PM	PM	PM	PM	PM	PM	PM	PM
	C				K	K	K	K	K	K	K	K	K												
	B				N	N	N	N	N	N	N	N	N	N											
A	S	S	S	S	S	S	S	S	S																
3P + 40S + 8P																									



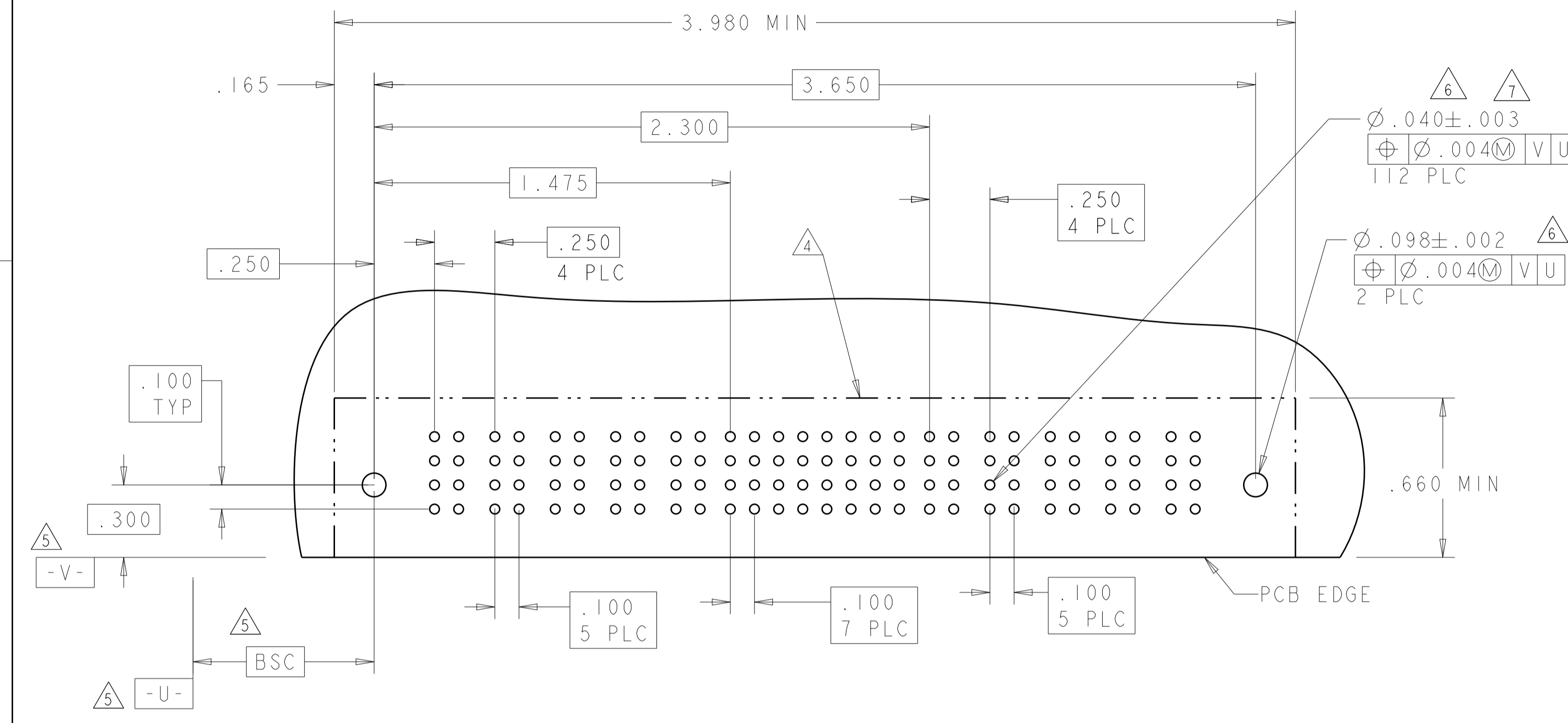
PART NUMBER	ROWS	POWER		SIGNAL												POWER			
		P1	P2	1	2	3	4	5	6	7	8	9	10	11	12	P3	P4		
2-6450120-3	D	PM	PM	J	J	J	J	J	J	J	J	J	J	J	J	PM	PM	HD	HD
	C			K	K	K	K	K	K	K	K	K	K	K					
	B			N	N	N	N	N	N	N	N	N	N	N	N				
A	S	S	S	S	S	S	S	S	S										
2P + 48S + 2P																			



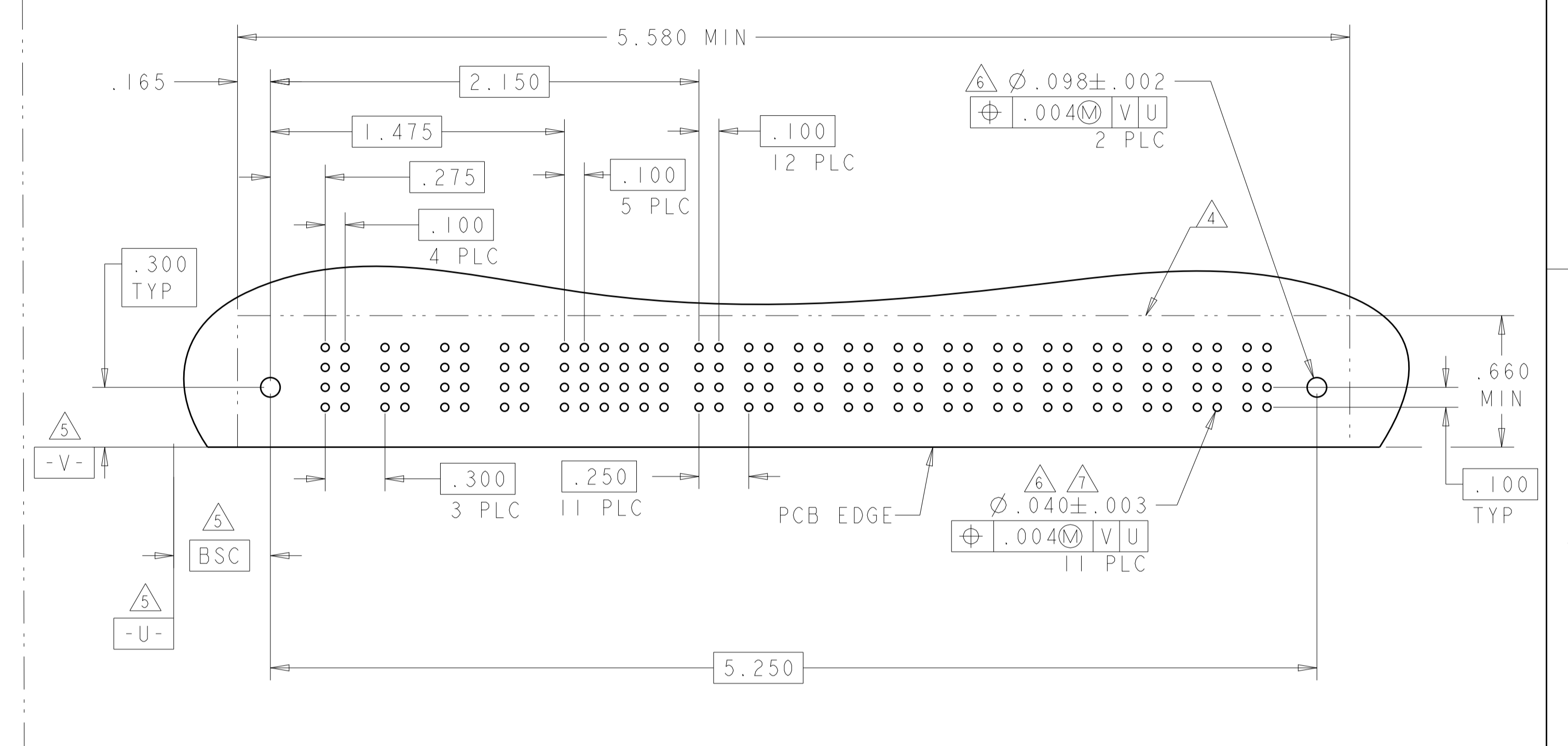
THIS DRAWING IS A CONTROLLED DOCUMENT.		OWN: R. GRZYBOWSKI	02FEB05	STE TE Connectivity
DIMENSIONS: INCHES		CHK: M. PERCHERKE	02FEB05	
TOLERANCES UNLESS OTHERWISE SPECIFIED:		APVD: M. PERCHERKE	02FEB05	NAME: RIGHT ANGLE HEADER W/GUIDES ASSEMBLY MULTI-BEAM XL
0 PLC ±.01		PRODUCT SPEC		
1 PLC ±.01		APPLICATION SPEC	108-1973	SIZE: A1
2 PLC ±.01		WEIGHT	114-13038	
3 PLC ±.01		CUSTOMER DRAWING	SCALE: 4:1	SHEET 7 OF 24
4 PLC ±.01		REVISIONS	REV: M2	
ANGLES ±.0020				

REVISONS		DATE	OWN	APVD
LOC	DIST			
ES	00			
DESCRIPTION				
SEE SHEET 1				

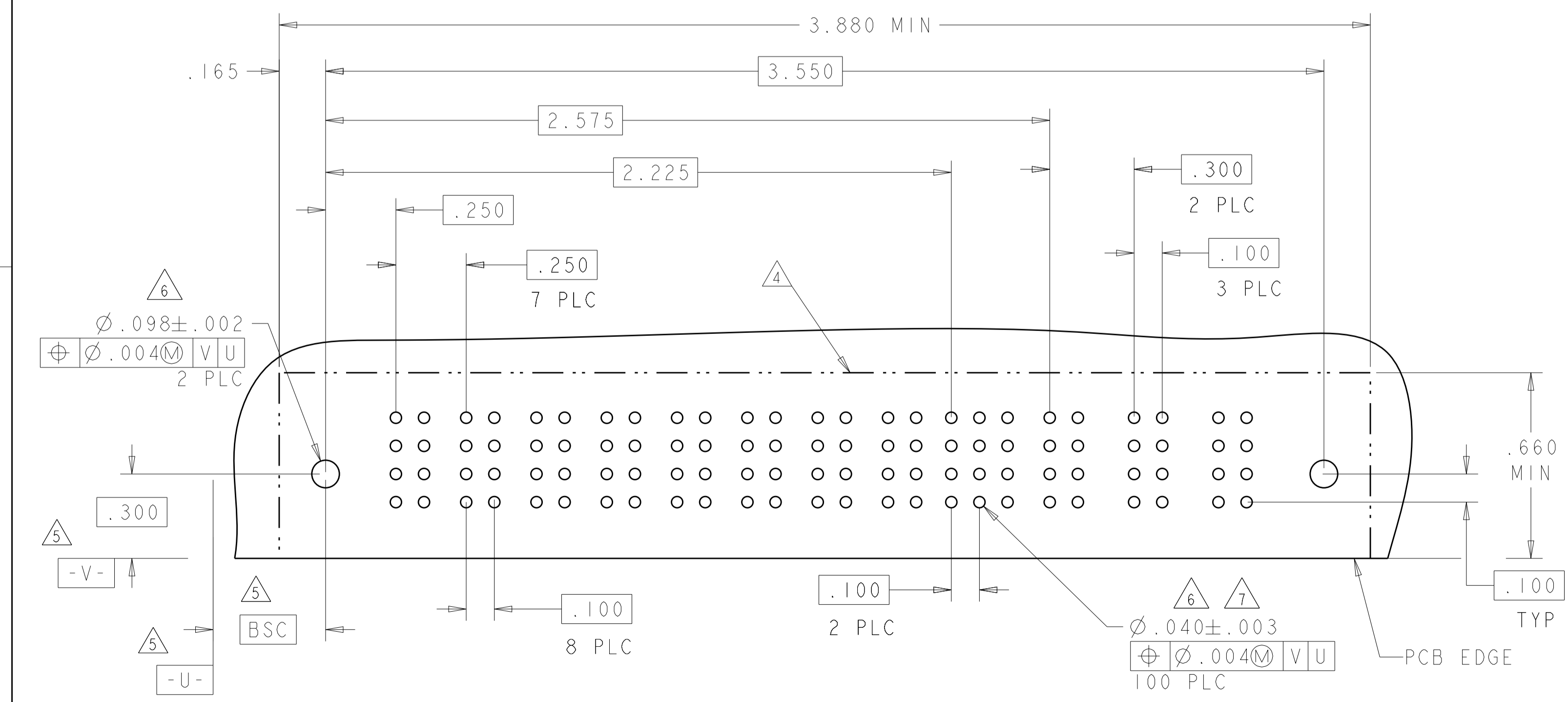
PART NUMBER	ROWS	POWER					SIGNAL								POWER						
		P1	P2	P3	P4	P5	1	2	3	4	5	6	7	8	P6	P7	P8	P9	P10		
2-6450120-4	D C B A	PM	PM	PM	PM	PM	J	J	J	J	J	J	J	J	J	J	PM	PM	PM	PM	PM
							K	K	K	K	K	K	K	K	K	K					
							N	N	N	N	N	N	N	N	N	N					
5P + 32S + 5P		HD																HD			



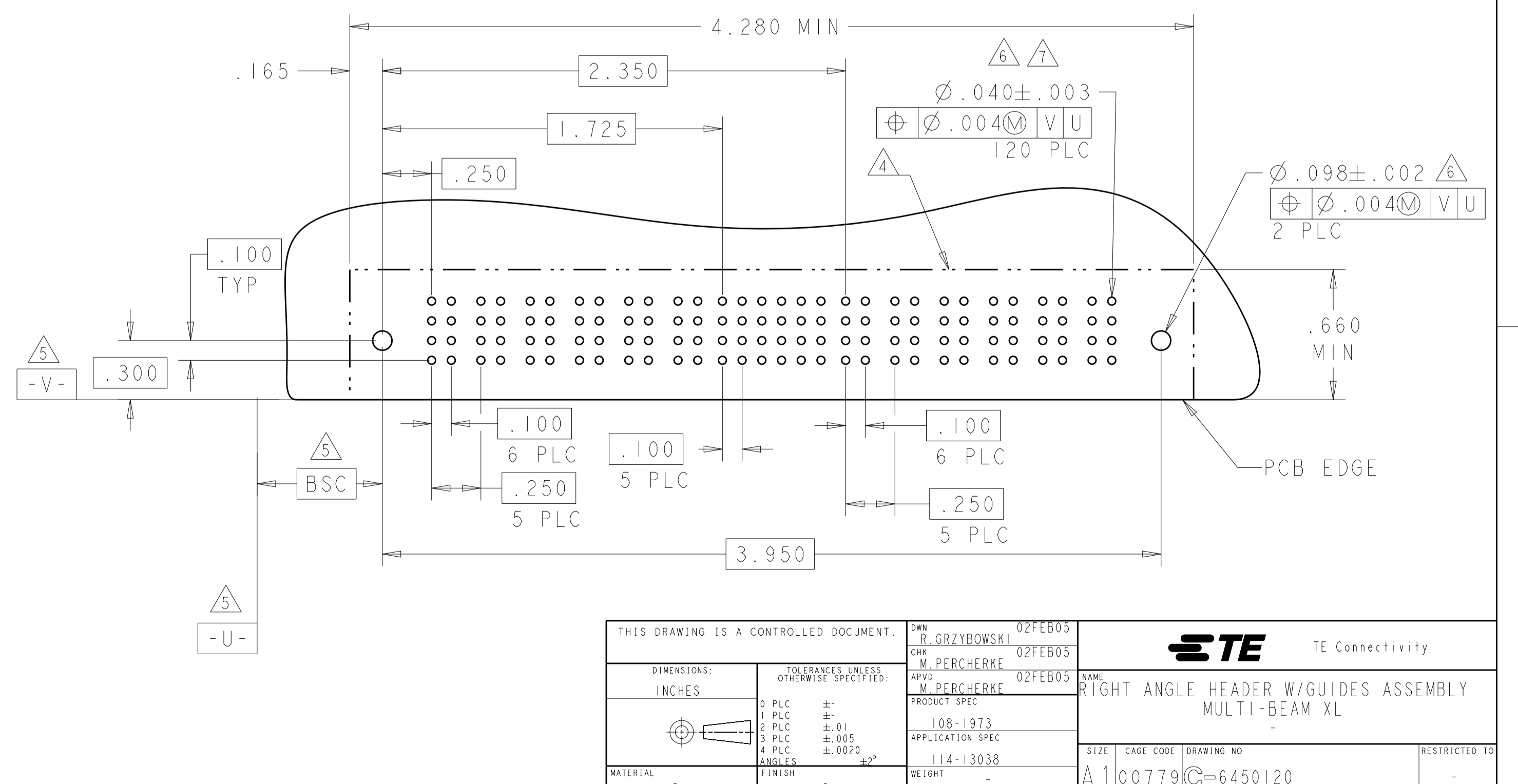
PART NUMBER	ROWS	AC POWER				SIGNAL						POWER																										
		P1	P2	P3	P4	1	2	3	4	5	6	P5	P6	P7	P8	P9	P10	P11	P12	P13	P14	P15	P16															
2-6450120-6	D C B A	PM	PM	PM	PM	J	J	J	J	J	J	J	J	J	J	PM	PM	PM	PM	PM	PM	PM	PM	PM	PM	PM												
						K	K	K	K	K	K	K	K	K	K												K	K	K	K	K	K	K	K	K	K	K	K
						N	N	N	N	N	N	N	N	N	N												N	N	N	N	N	N	N	N	N	N	N	N
4ACP + 24S + 12P		HD																				HD																



PART NUMBER	ROWS	POWER								SIGNAL			POWER					
		P1	P2	P3	P4	P5	P6	P7	P8	1	2	3	P9	P10	P11			
3-6450120-3	D C B A	PM	PM	PM	PM	PM	PM	PM	PM	J	J	J	PM	PM	PM			
										K	K	K				K	K	K
										N	N	N				N	N	N
8P + 12S + 3ACP		HD												HD				



PART NUMBER	ROWS	POWER						SIGNAL						POWER																							
		P1	P2	P3	P4	P5	P6	1	2	3	4	5	6	P7	P8	P9	P10	P11	P12																		
2-6450120-7	D C B A	PM	PM	PM	PM	PM	PM	J	J	J	J	J	J	J	J	PM	PM	PM	PM	PM	PM	PM	PM														
								K	K	K	K	K	K	K	K									K	K	K	K	K	K	K	K	K	K	K	K	K	K
								N	N	N	N	N	N	N	N									N	N	N	N	N	N	N	N	N	N	N	N	N	N
6P + 24S + 6P		HD																				HD															



THIS DRAWING IS A CONTROLLED DOCUMENT.

OWN: R. GRZYBOWSKI 02FEB05
CHK: M. PERCHERKE 02FEB05
APVD: M. PERCHERKE 02FEB05

DIMENSIONS: INCHES

TOLERANCES UNLESS OTHERWISE SPECIFIED:

0 PLC	±
1 PLC	±.01
2 PLC	±.01
3 PLC	±.01
4 PLC	±.005
5 PLC	±.002
ANGLES	±.0020

MATERIAL: . . . FINISH: . . .

PRODUCT SPEC: 108-1973
APPLICATION SPEC: 114-13038

WEIGHT: . . .

CUSTOMER DRAWING

SCALE: 4:1 SHEET 8 OF 24 REV: M2

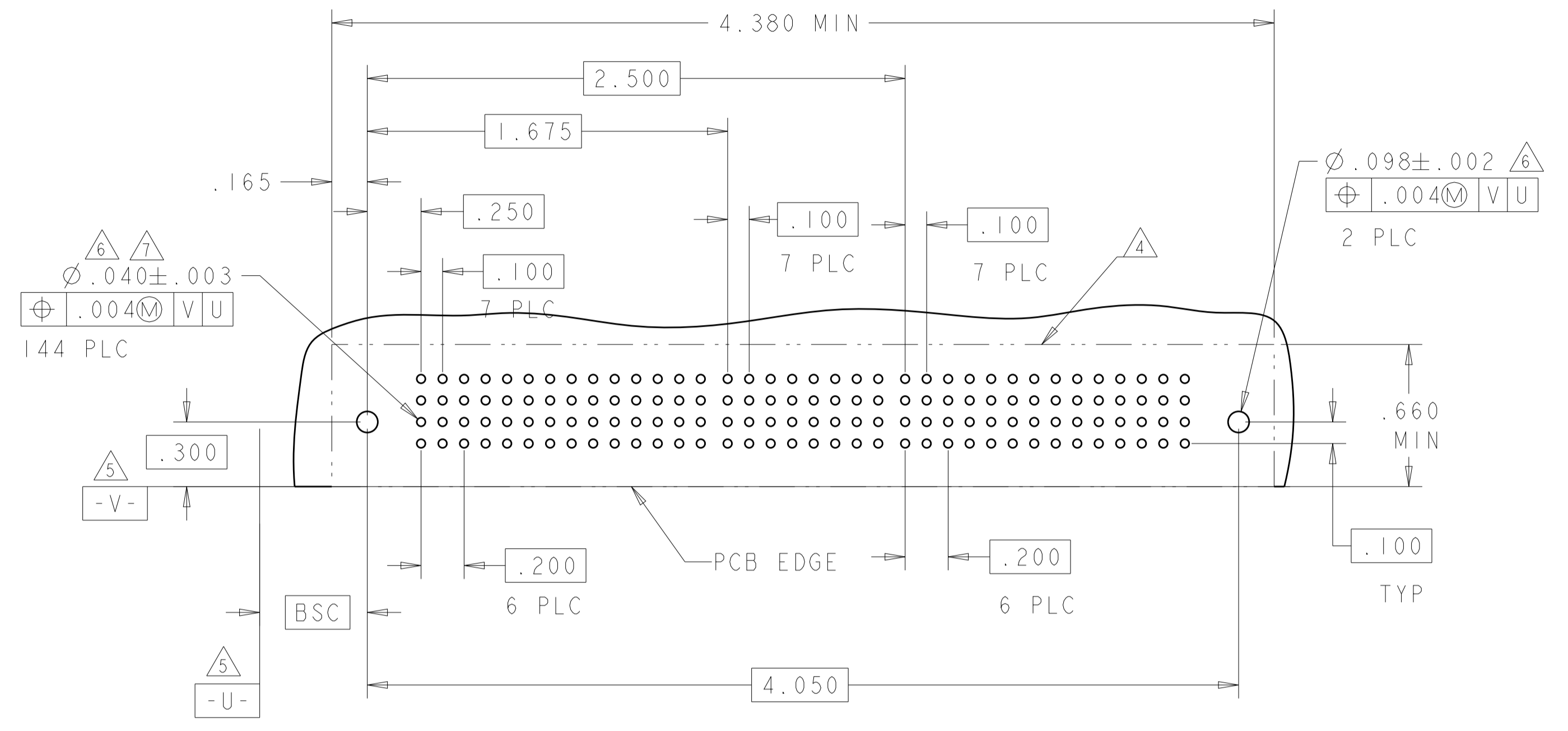
STE TE Connectivity

RIGHT ANGLE HEADER W/GUIDES ASSEMBLY MULTI-BEAM XL

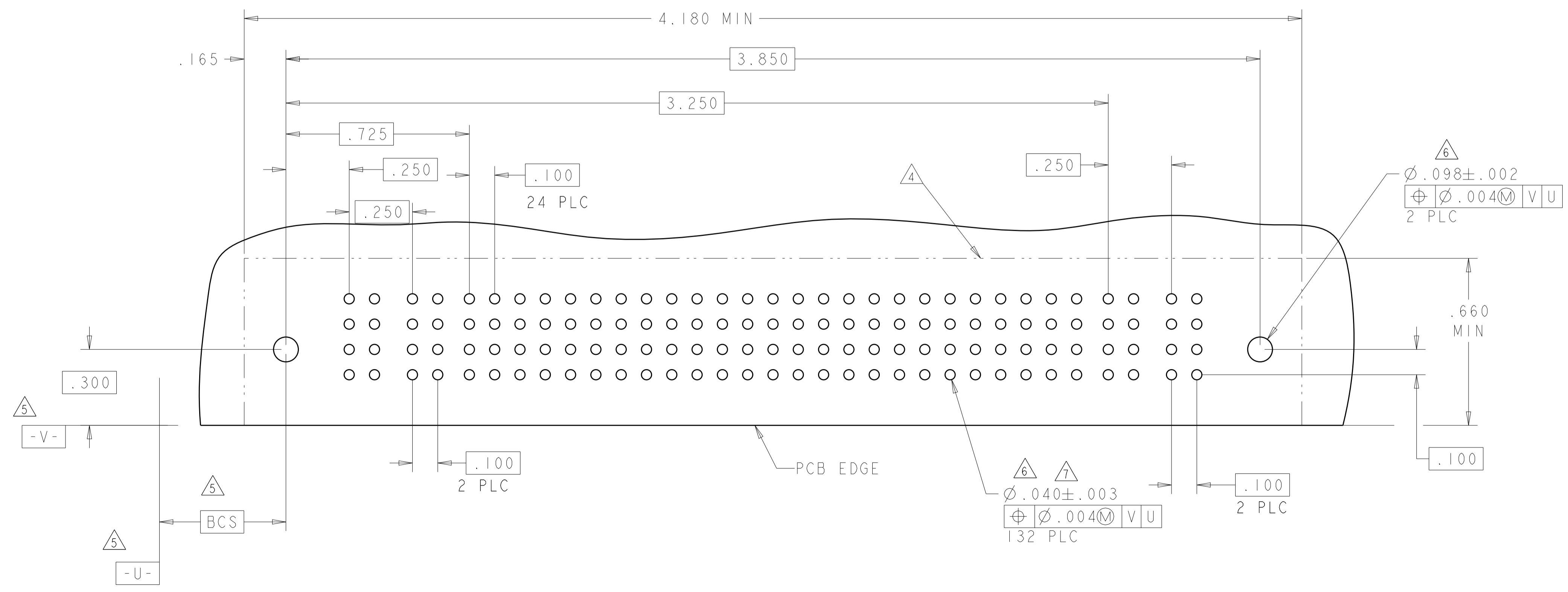
SIZE: CAGE CODE: DRAWING NO: A100779 C=6450120

LOC	DIST	REVISIONS			
P	LTN	DESCRIPTION	DATE	DMN	APVD
ES	00	SEE SHEET 1			

PART NUMBER	ROWS	POWER						SIGNAL								POWER						
		P1	P2	P3	P4	P5	P6	P7	1	2	3	4	5	6	7	8	P8	P9	P10	P11	P12	P13
3-6450120-0	D C B A	PM	PM	PM	PM	PM	PM	J	J	J	J	J	J	J	J	PM	PM	PM	PM	PM	PM	PM
7HDP + 32S + 7HDP	HD							K	K	K	K	K	K	K	K							
								N	N	N	N	N	N	N	N							
								S	S	S	S	S	S	S	S							



PART NUMBER	ROWS	POWER		SIGNAL																								POWER			
		P1	P2	1	2	3	4	5	6	7	8	9	10	11	12	13	14	15	16	17	18	19	20	21	22	23	24	25	P3	P4	
3-6450120-6	D C B A	PM	PM	J	J	J	J	J	J	J	J	J	J	J	J	J	J	J	J	J	J	J	J	J	J	J	J	J	J	PM	PM
2P + 100S + 2P	HD			K	K	K	K	K	K	K	K	K	K	K	K	K	K	K	K	K	K	K	K	K	K	K	K	K			
				N	N	N	N	N	N	N	N	N	N	N	N	N	N	N	N	N	N	N	N	N	N	N	N	N	N		
				S	S	S	S	S	S	S	S	S	S	S	S	S	S	S	S	S	S	S	S	S	S	S	S	S			



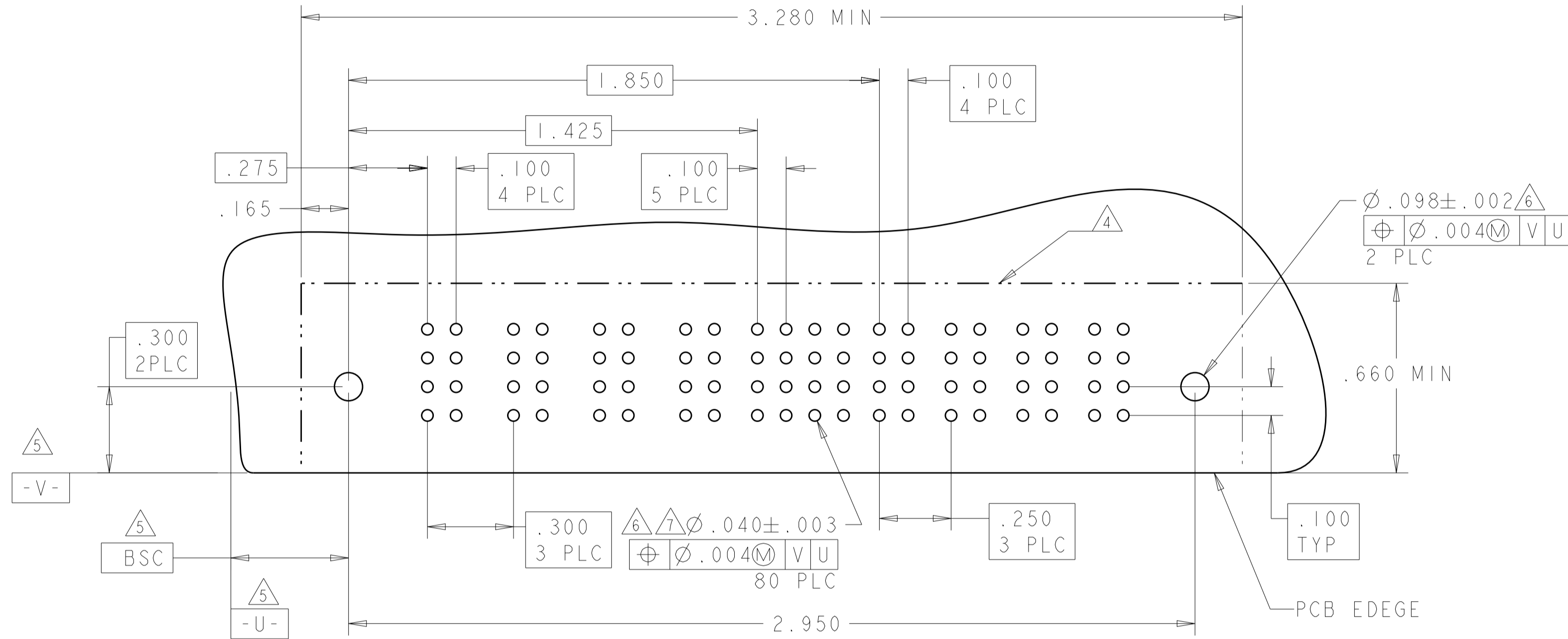
THIS DRAWING IS A CONTROLLED DOCUMENT.

DIMENSIONS: INCHES	TOLERANCES UNLESS OTHERWISE SPECIFIED:	DMN: R. GRZYBOWSKI 02FEB05	CHK: M. PERCHERKE 02FEB05	APVD: M. PERCHERKE 02FEB05	NAME: RIGHT ANGLE HEADER W/GUIDES ASSEMBLY MULTI-BEAM XL
	0 PLC ±.010 1 PLC ±.010 2 PLC ±.010 3 PLC ±.005 4 PLC ±.002	PRODUCT SPEC: 108-1973	APPLICATION SPEC: 114-13038	WEIGHT: -	RESTRICTED TO: -
MATERIAL: -	FINISH: -	SCALE: 4:1	SHEET: 9 of 24	REV: M2	

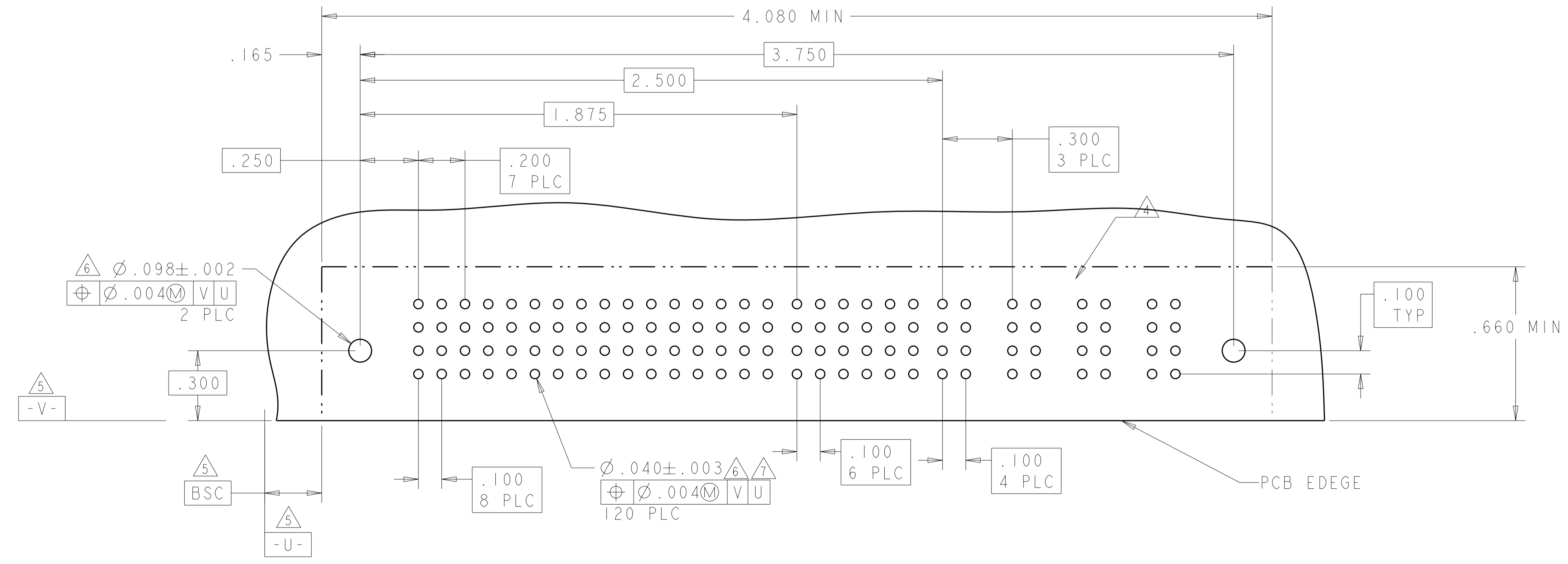
CUSTOMER DRAWING

LOC	DIST	REVISIONS			
P	LTN	DESCRIPTION	DATE	DWN	APVD
-	-	SEE SHEET 1	-	-	-

PART NUMBER	ROWS	POWER				SIGNAL				POWER			
		P1	P2	P3	P4	1	2	3	4	P5	P6	P7	P8
4-6450120-3	D C B A	PM	PM	PM	PM	J	J	J	J	PM	PM	PM	PM
						K	K	K	K				
						N	N	N	N				
						S	S	S	S				
4ACP + 16S + 4P													



PART NUMBER	ROWS	POWER								SIGNAL						POWER			
		P1	P2	P3	P4	P5	P6	P7	P8	1	2	3	4	5	6	P9	P10	P11	P12
4-6450120-4	D C B A	PM	PM	PM	PM	PM	PM	PM	PM	J	J	J	J	J	J	PM	PM	PM	PM
										K	K	K	K	K	K				
										N	N	N	N	N	N				
										S	S	S	S	S	S				
8P + 24S + 4ACP																			



THIS DRAWING IS A CONTROLLED DOCUMENT. DWN: R. GRZYBOWSKI 02FEB05
 CHK: M. PERCHERKE 02FEB05
 APVD: M. PERCHERKE 02FEB05

STE TE Connectivity

NAME: RIGHT ANGLE HEADER W/GUIDES ASSEMBLY MULTI-BEAM XL

PRODUCT SPEC: 108-1973
 APPLICATION SPEC: 114-13038

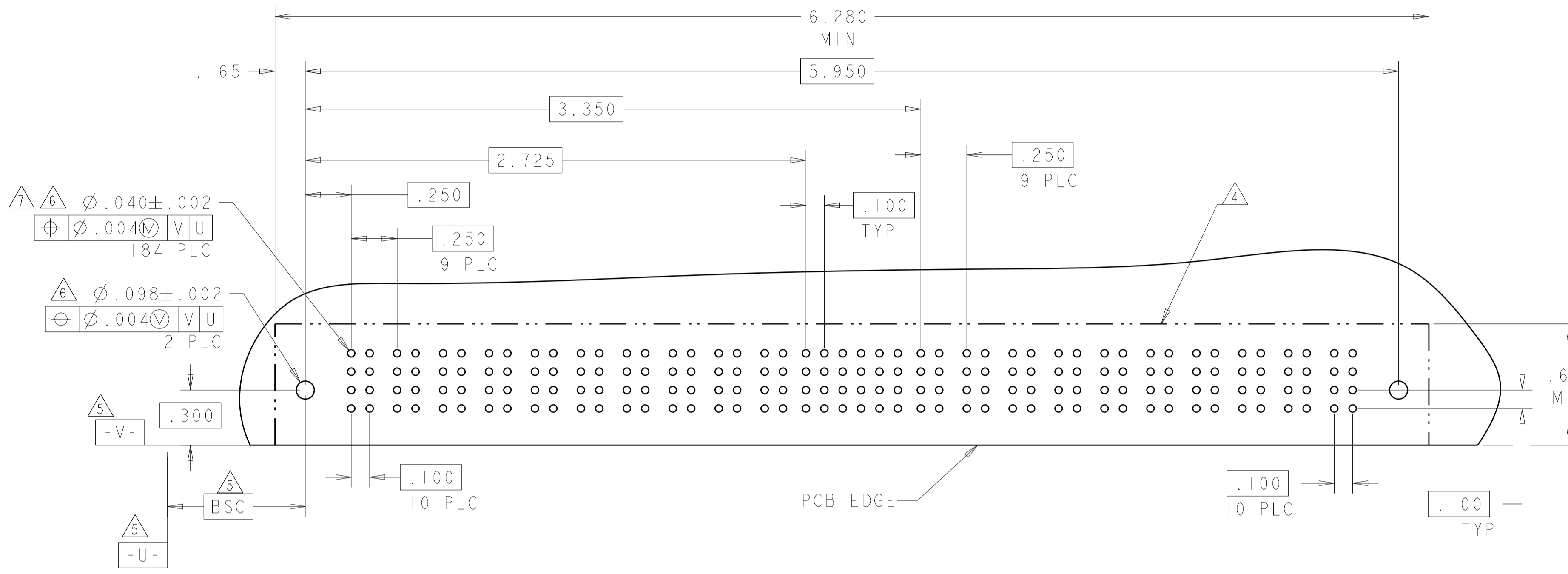
SIZE: A1 CAGE CODE: 6450120 DRAWING NO: 100779
 WEIGHT: -

MATERIAL: - FINISH: -

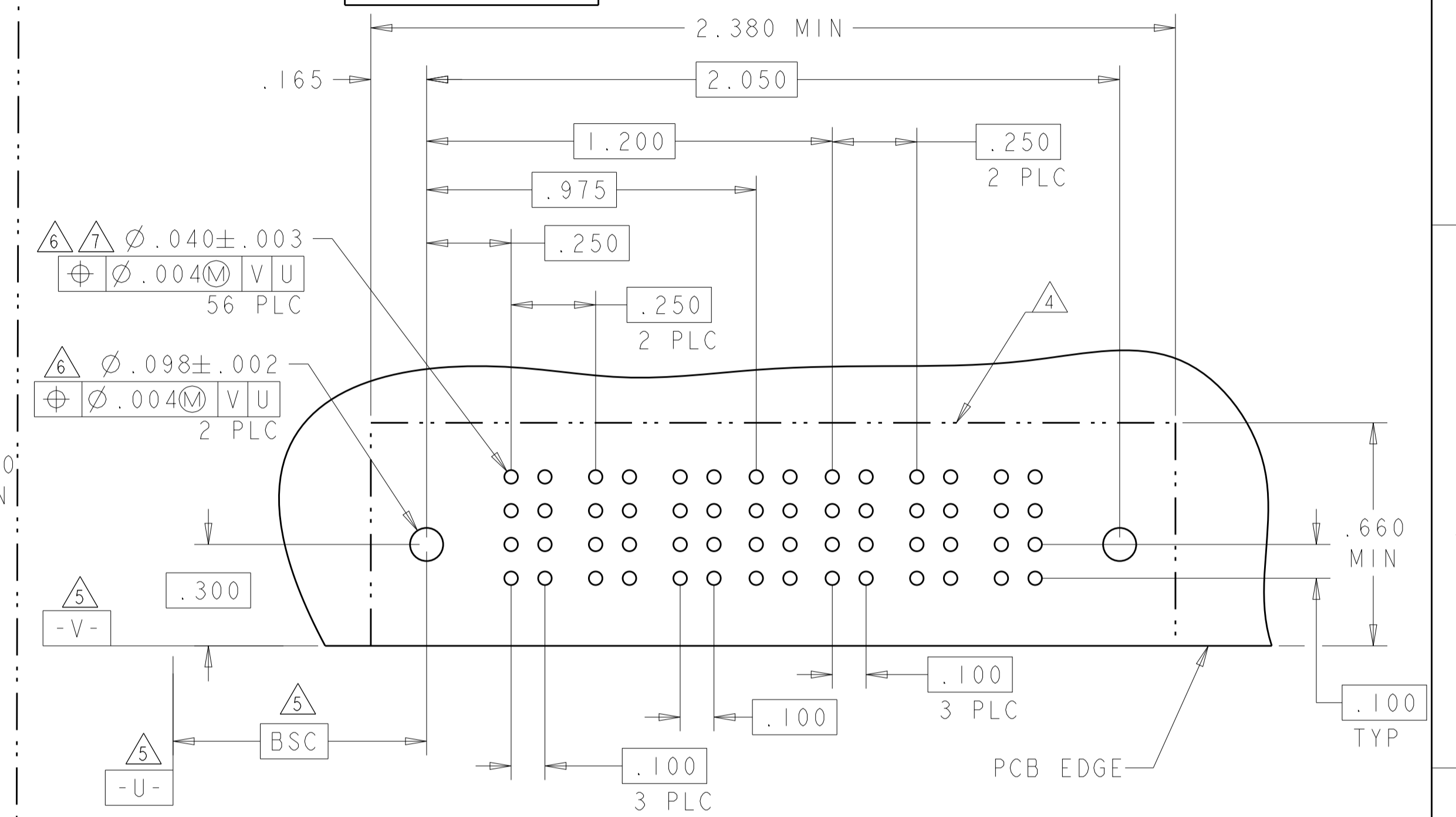
CUSTOMER DRAWING SCALE: 4:1 SHEET 12 OF 24 REV: M2

LOC	DIST	REVISIONS			
P	LTN	DESCRIPTION	DATE	OWN	APVD
ES	00	SEE SHEET 1			

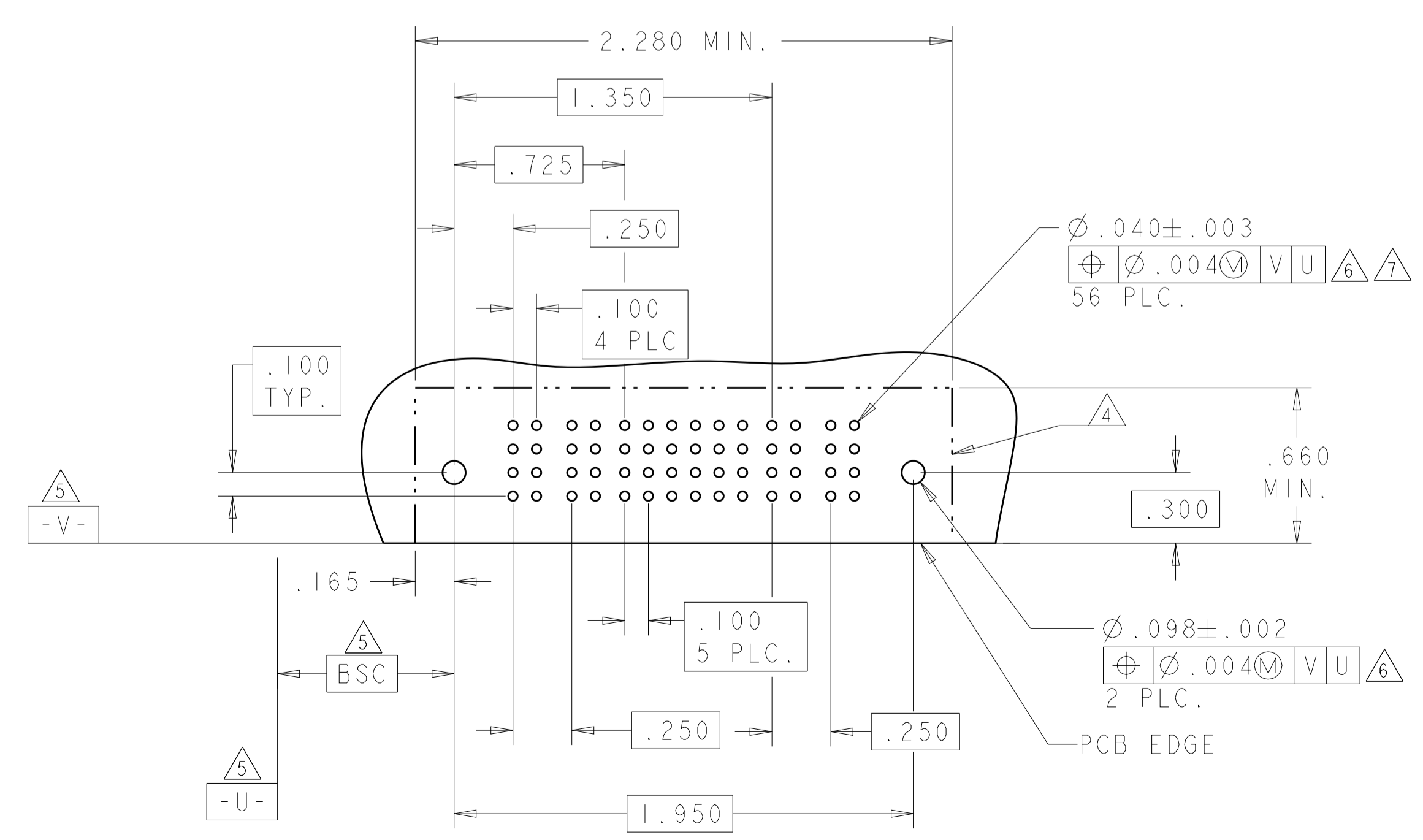
PART NUMBER	ROWS	POWER									SIGNAL						POWER										
		P1	P2	P3	P4	P5	P6	P7	P8	P9	P10	1	2	3	4	5	6	P11	P12	P13	P14	P15	P16	P17	P18	P19	P20
4-6450120-5	D C B A	PM	PM	PM	PM	PM	PM	PM	PM	PM	J	J	J	J	J	J	PM	PM	PM	PM	PM	PM	PM	PM	PM	PM	
											K	K	K	K	K	K											
											N	N	N	N	N	N											
		HD																									HD
		10P + 24S + 10P																									



PART NUMBER	ROWS	POWER			SIGNAL		POWER			
		P1	P2	P3	1	2	P4	P5	P6	
4-6450120-6	D C B A	PM	PM	PM	J	J	PM	PM	PM	
					K	K				
					N	N				
		HD								HD
		3P + 8S + 3P								



PART NUMBER	ROWS	POWER		SIGNAL						POWER			
		P1	P2	1	2	3	4	5	6	P3	P4		
4-6450120-7	D C B A	PM	PM	J	J	J	J	J	J	PM	PM		
				K	K	F	K	K	K				
				N	N	G	N	N	N				
		HD											HD
		2P + 24S + 2P											



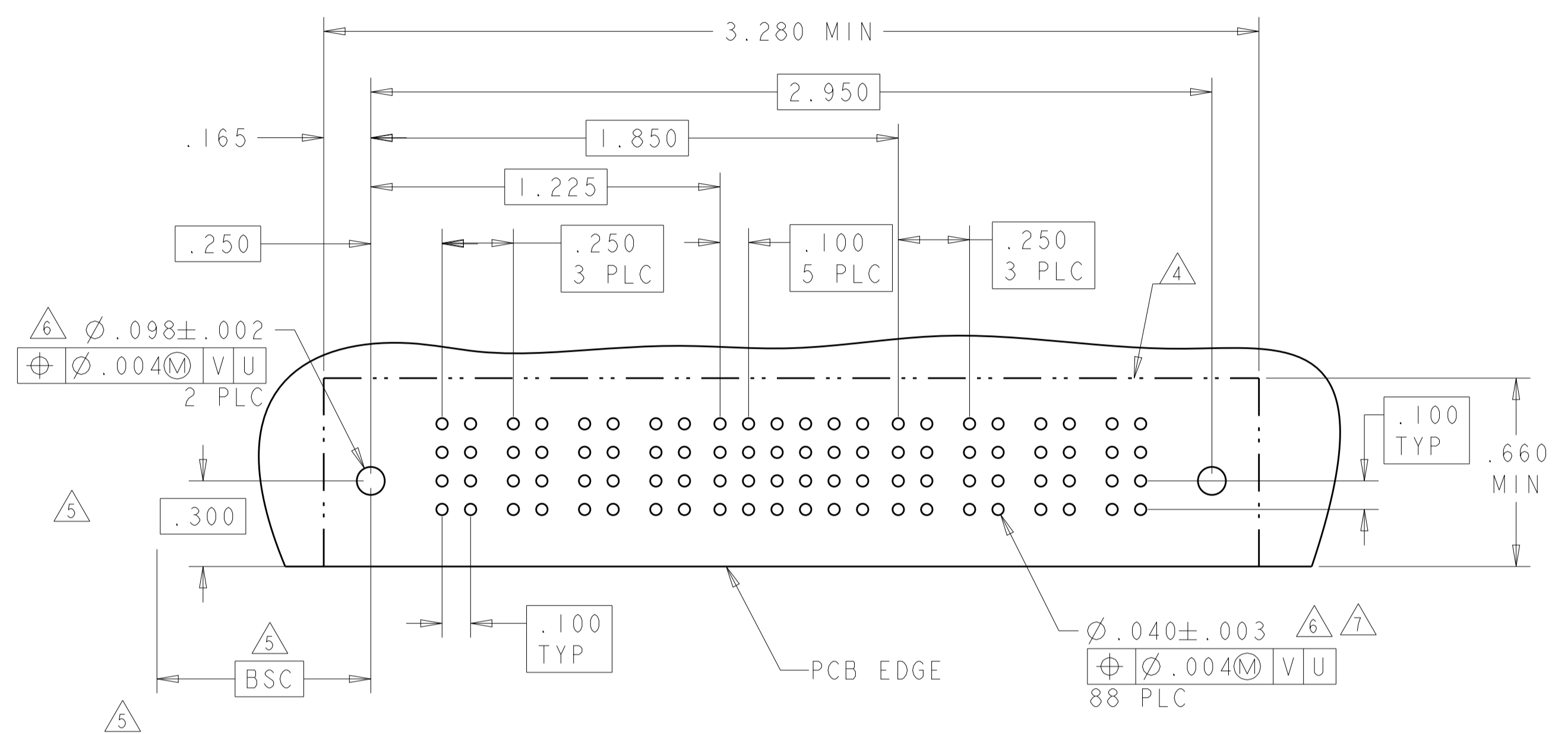
THIS DRAWING IS A CONTROLLED DOCUMENT.

DIMENSIONS:	TOLERANCES UNLESS OTHERWISE SPECIFIED:	OWN: R. GRZYBOWSKI 02FEB05	CHK: M. PERCHERKE 02FEB05	APVD: M. PERCHERKE 02FEB05	NAME: RIGHT ANGLE HEADER W/GUIDES ASSEMBLY MULTI-BEAM XL
INCHES	0 PLC ± .01 1 PLC ± .01 2 PLC ± .01 3 PLC ± .01 4 PLC ± .005 ANGLES ± .002	PRODUCT SPEC: 108-1973	APPLICATION SPEC: 114-13038	WEIGHT: -	RESTRICTED TO: -
MATERIAL: -	FINISH: -	SIZE: A1	CAGE CODE: 100779	DRAWING NO: C=6450120	SCALE: 4:1
CUSTOMER DRAWING		SHEET 13 OF 24		REV M2	

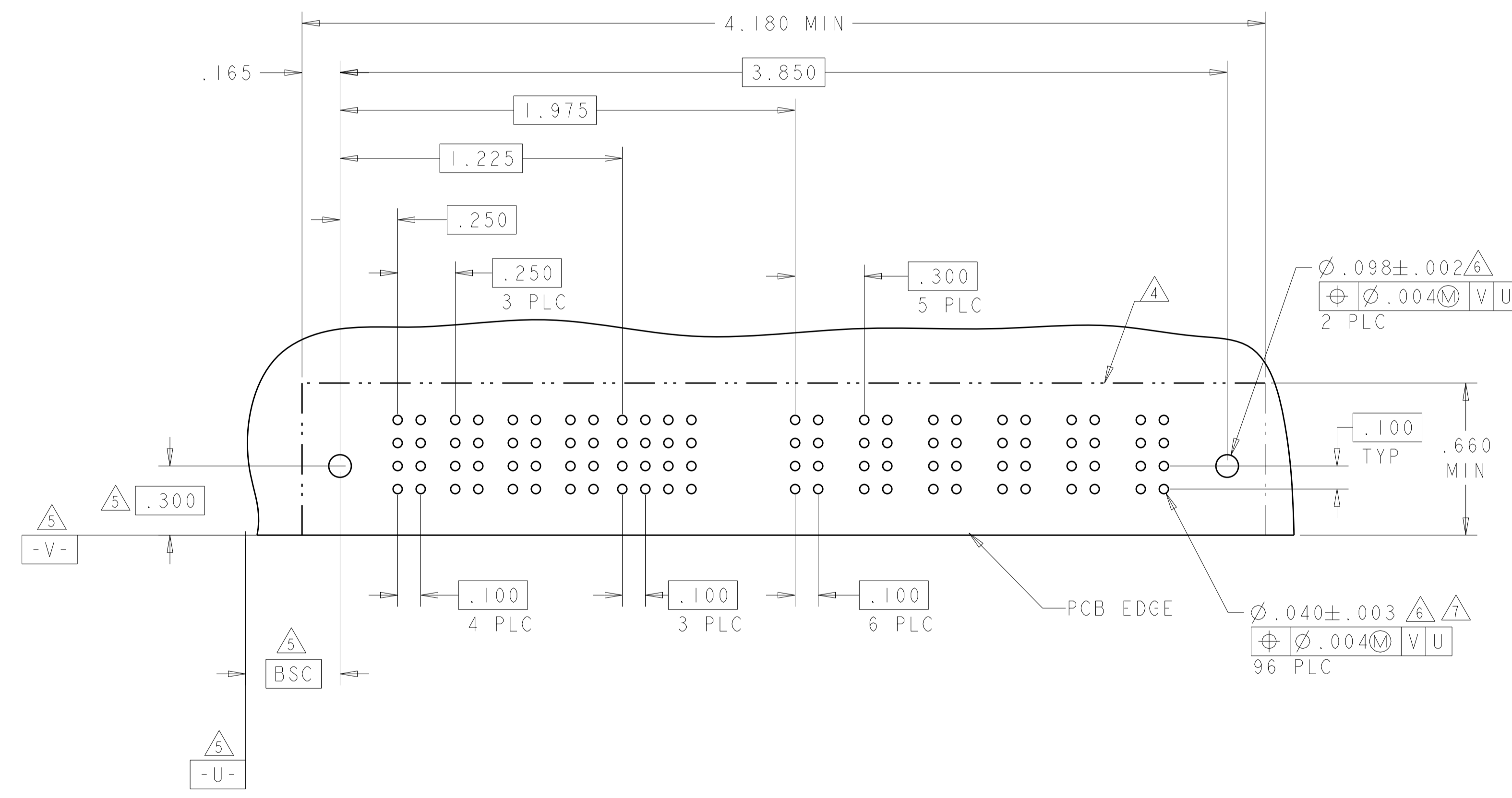
STE TE Connectivity

LOC	DIST	REVISIONS			
P	LTN	DESCRIPTION	DATE	DMN	APVD
ES	00	SEE SHEET 1	-	-	-

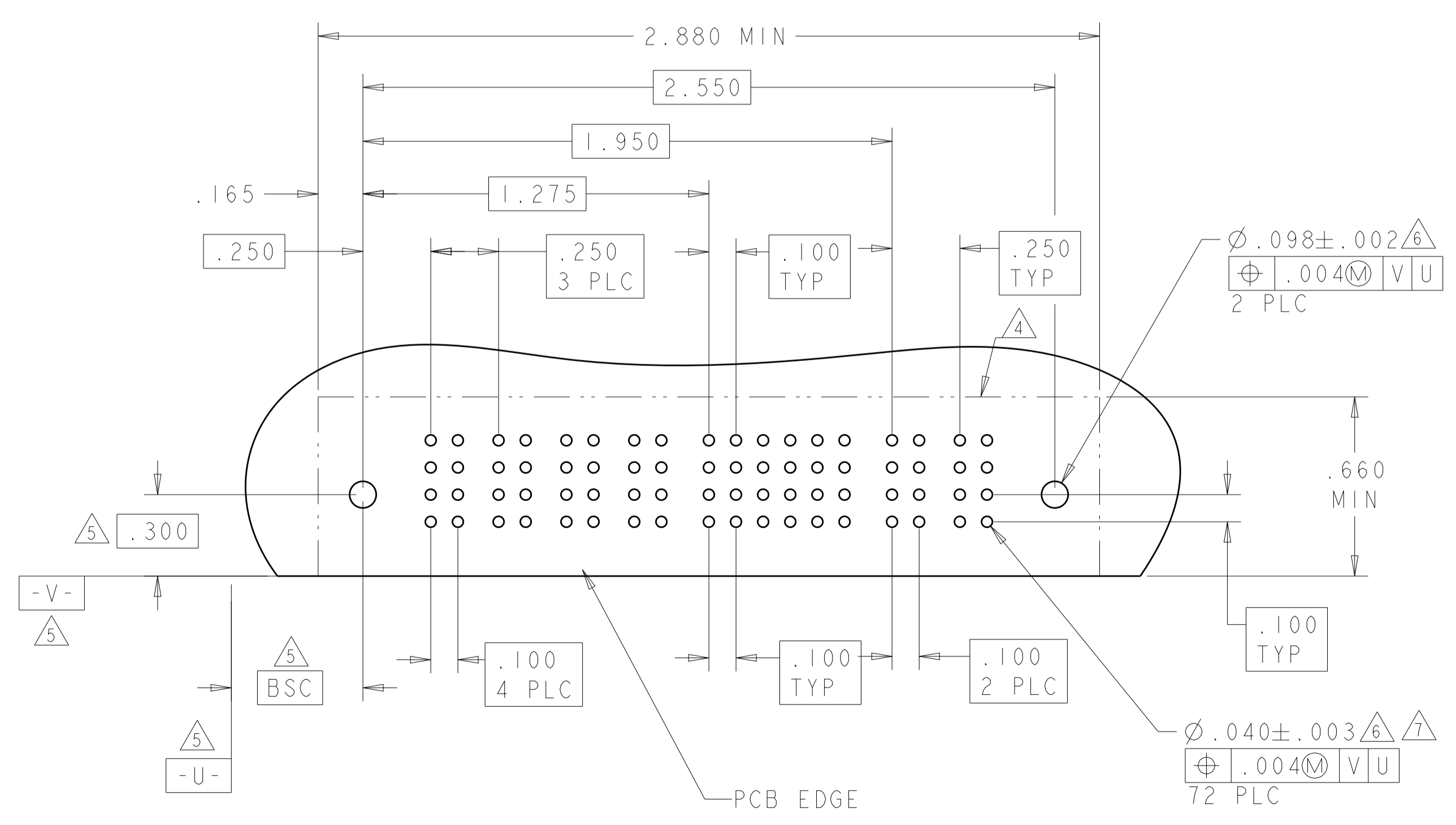
PART NUMBER	ROWS	POWER				SIGNAL						POWER			
		P1	P2	P3	P4	1	2	3	4	5	6	P5	P6	P7	P8
4-6450120-8	D	PM	PM	PM	PM	J	J	J	J	J	J	PM	PM	PM	PM
	C					K	K	K	K	K					
	B					N	N	N	N	N	N				
	A					S	S	S	S	S	S				
4P + 24S + 4P															



PART NUMBER	ROWS	POWER				SIGNAL				POWER						
		P1	P2	P3	P4	1	2	3	4	P5	P6	P7	P8	P9	P10	P11
5-6450120-0	D	PM	PM	PM	PM	J	J	J	J	PM	PM	PM	PM	PM	PM	
	C					K	K	K	K							
	B					N	N	N	N							
	A					S	S	S	S							
4P + 16S + 7ACP																



PART NUMBER	ROWS	POWER				SIGNAL						POWER	
		P1	P2	P3	P4	1	2	3	4	5	6	P5	P6
2-6450120-5	D	PM	PM	PM	PM	J	J	J	J	J	J	PM	PM
	C					K	K	K	K	K			
	B					N	N	N	N	N	N		
	A					S	S	S	S	S	S		
4P + 24S + 2P													



THIS DRAWING IS A CONTROLLED DOCUMENT.

DMN: R. GRZYBOWSKI 02FEB05	CHK: M. PERCHERKE 02FEB05	APVD: M. PERCHERKE 02FEB05	NAME: RIGHT ANGLE HEADER W/GUIDES ASSEMBLY MULTI-BEAM XL
DIMENSIONS: INCHES		TOLERANCES UNLESS OTHERWISE SPECIFIED:	
0 PLC ± .01	1 PLC ± .01	2 PLC ± .01	3 PLC ± .01
4 PLC ± .005	5 PLC ± .005	6 PLC ± .005	7 PLC ± .005
8 PLC ± .002	9 PLC ± .002	10 PLC ± .002	11 PLC ± .002
MATERIAL: -		FINISH: -	

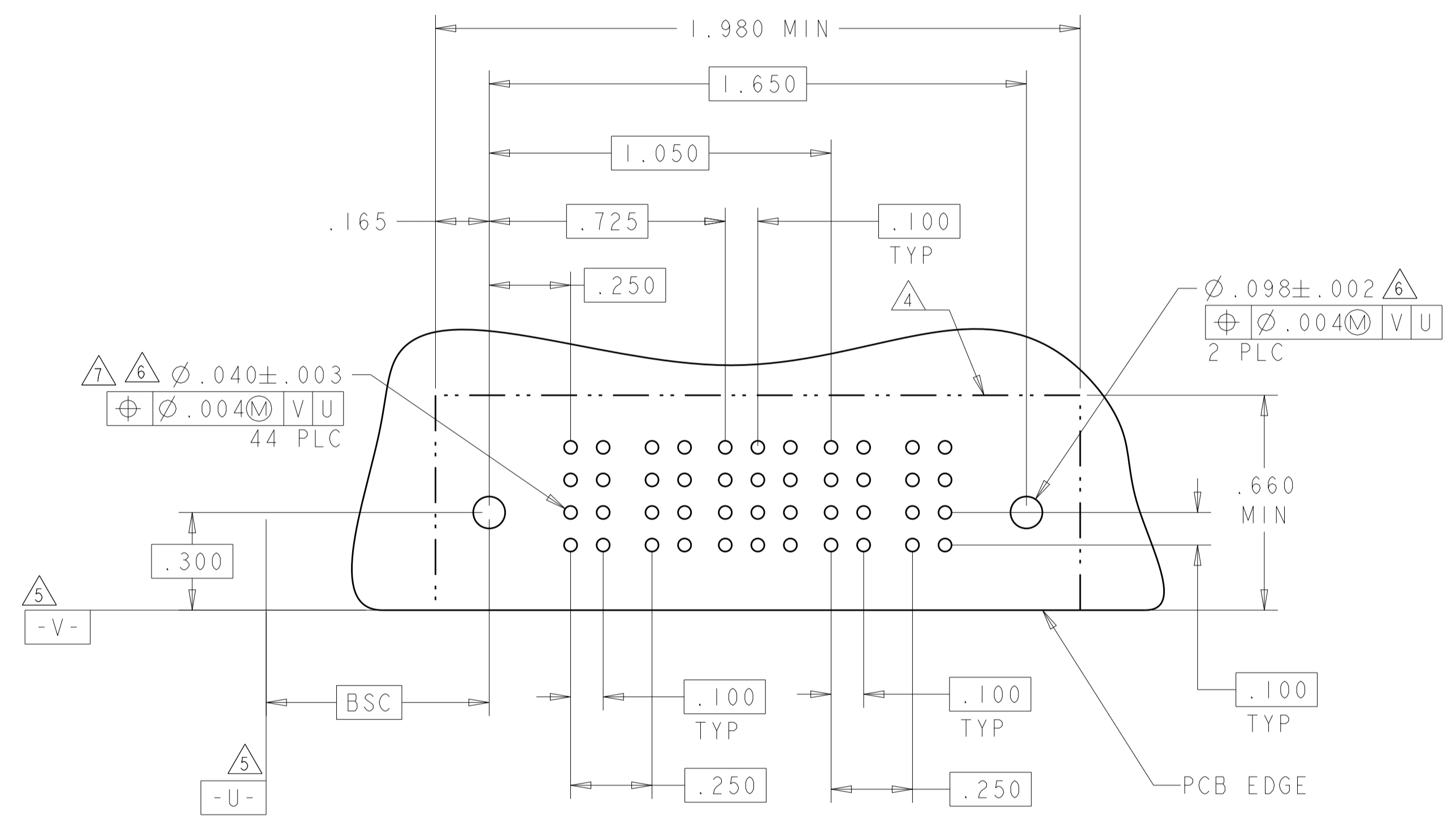
STE TE Connectivity

SIZE: 108-1973 APPLICATION SPEC: 114-13038 WEIGHT: -

SCALE: 4:1 SHEET 14 OF 24 REV: M2

LOC		DIST		REVISIONS			
ES	00	P	LTN	DESCRIPTION	DATE	DWN	APVD
		-		SEE SHEET 1			

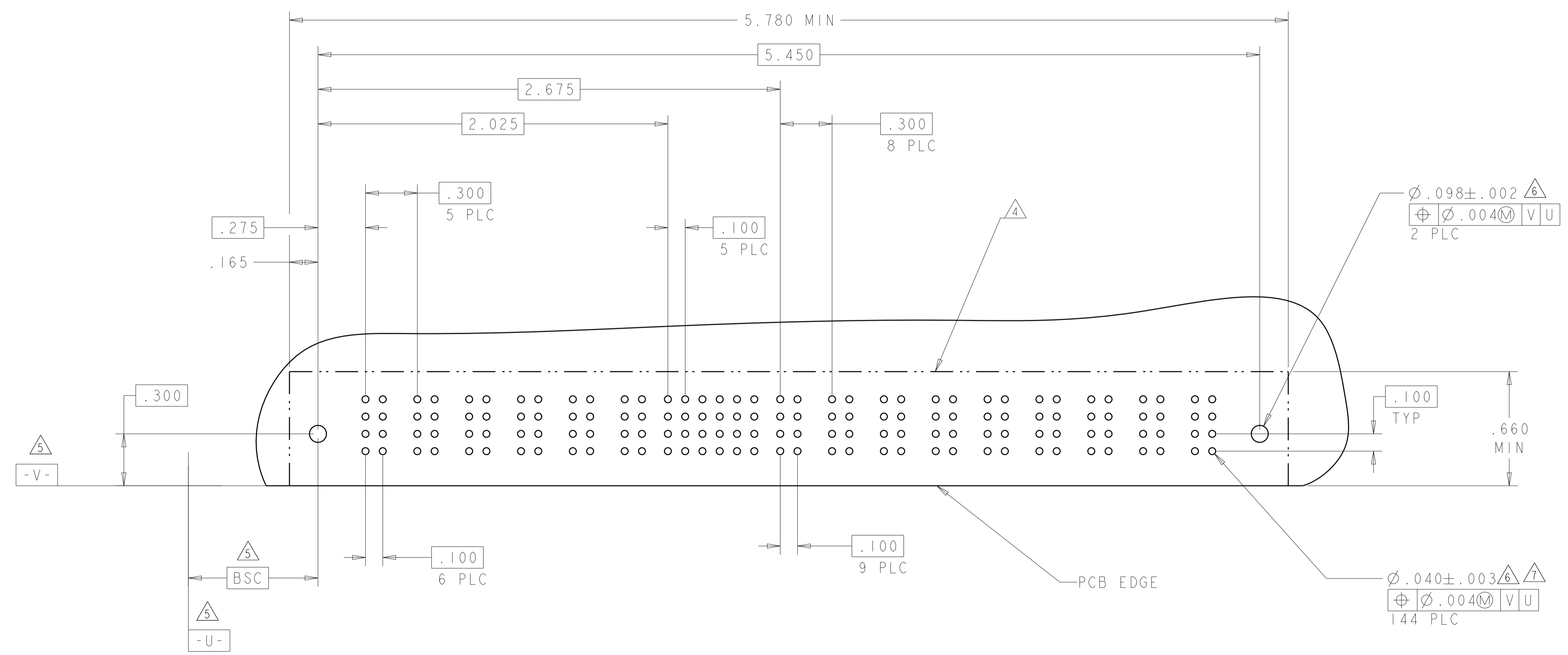
PART NUMBER	ROWS	POWER		SIGNAL			POWER	
		P1	P2	1	2	3	P3	P4
4-6450120-9	D	PM	PM	J	J	J	PM	PM
	C			K	K	K		
	B			N	N	N		
	A			S	S	S		
2P + 12S + 2P		HD					HD	



THIS DRAWING IS A CONTROLLED DOCUMENT.		DWN R. GRZYBOWSKI	02FEB05	STE TE Connectivity
DIMENSIONS: INCHES		CHK M. PERCHERKE	02FEB05	
TOLERANCES UNLESS OTHERWISE SPECIFIED:		APVD M. PERCHERKE	02FEB05	NAME RIGHT ANGLE HEADER W/GUIDES ASSEMBLY MULTI-BEAM XL
0 PLC ± .010 2 PLC ± .010 3 PLC ± .010 4 PLC ± .0020		PRODUCT SPEC 108-1973		APPLICATION SPEC 114-13038
MATERIAL -		FINISH -		RESTRICTED TO -
CUSTOMER DRAWING		SCALE 4:1 SHEET 15 OF 24		REV M2

LOC		DIST		REVISIONS				
P	LTN	DESCRIPTION	DATE	DMN	APVD			
-	-	SEE SHEET 1	-	-	-			

PART NUMBER	ROWS	HD	POWER						SIGNAL						POWER						HD					
			P1	P2	P3	P4	P5	P6	1	2	3	4	5	6	P7	P8	P9	P10	P11	P12		P13	P14	P15		
5-6450120-2	D C B A	HD	PM	PM	PM	PM	J	J		J	E		PM	PM	PM	PM	PM	PM	HD							
							K	K		K	K															
							N	N		N	N															
							S	S		S	H															
6P + 24S + 9P																										

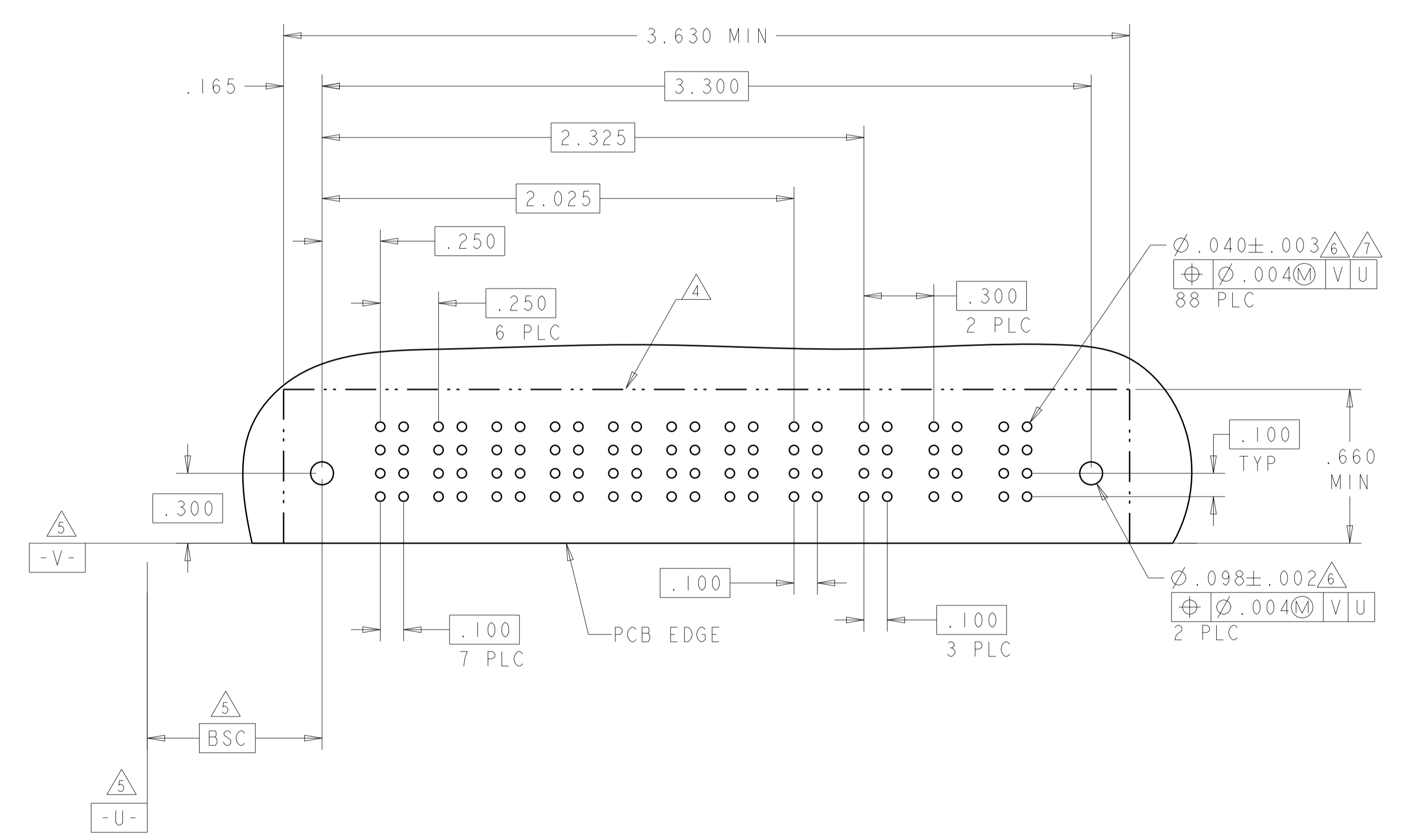
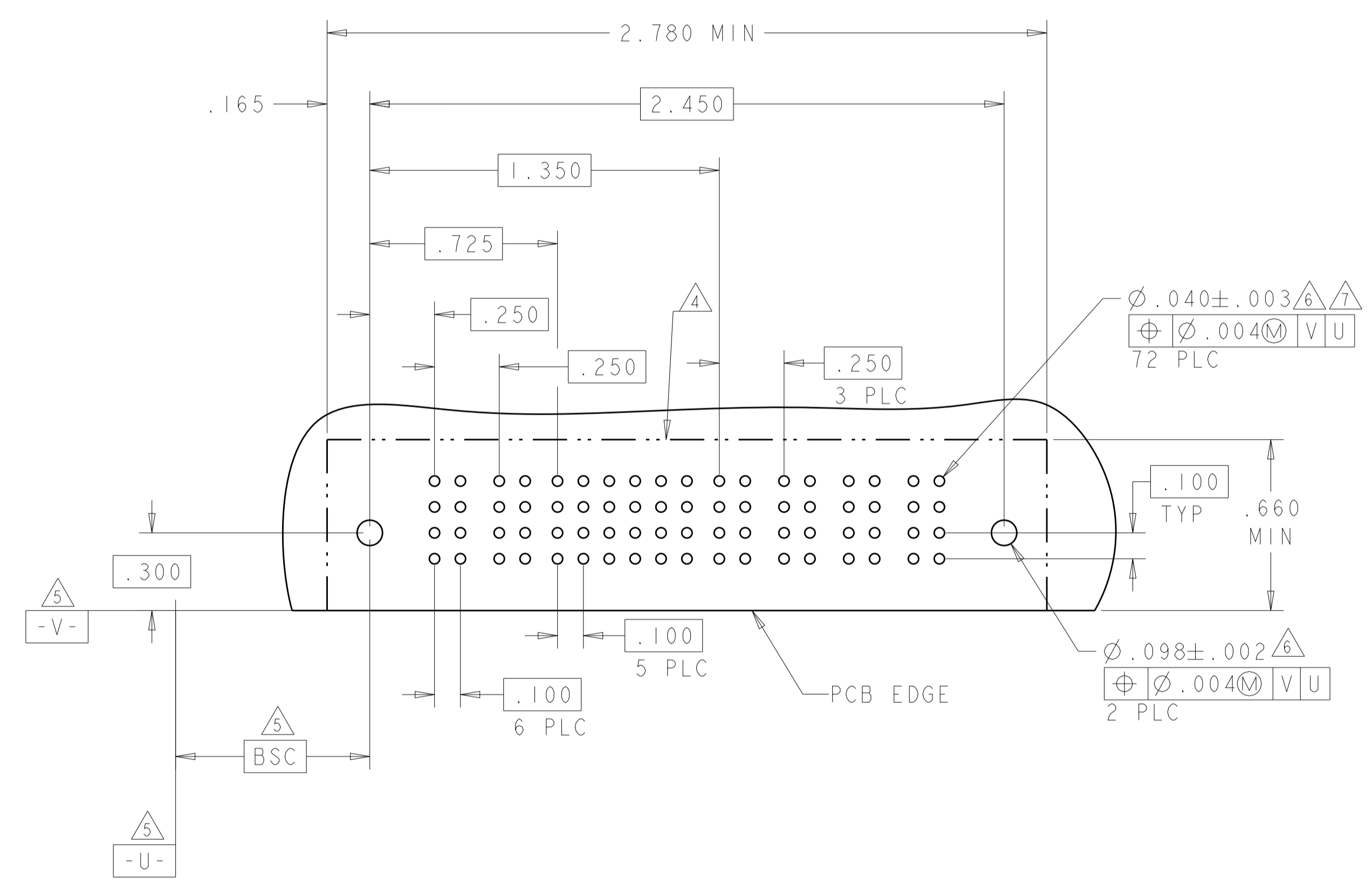


THIS DRAWING IS A CONTROLLED DOCUMENT.		DMN R. GRZYBOWSKI	02FEB05	TE Connectivity
DIMENSIONS: INCHES		CHK M. PERCHERKE	02FEB05	
TOLERANCES UNLESS OTHERWISE SPECIFIED: 0 PLC ±. 1 PLC ±.01 2 PLC ±.01 3 PLC ±.005 4 PLC ±.0020 ANGLES ±.020		APVD M. PERCHERKE	02FEB05	NAME RIGHT ANGLE HEADER W/GUIDES ASSEMBLY MULTI-BEAM XL
MATERIAL: FINISH		PRODUCT SPEC 108-1973 APPLICATION SPEC 114-13038 WEIGHT		SIZE A100779C=6450120
CUSTOMER DRAWING		SCALE 4:1 SHEET 16 OF 24		REV M2

LOC	DIST	REVISIONS			
P	LTN	DESCRIPTION	DATE	DMN	APVD
ES	00	SEE SHEET 1			

PART NUMBER	ROWS	POWER		SIGNAL						POWER			
		P1	P2	1	2	3	4	5	6	P3	P4	P5	P6
5-6450120-3	D			J	J	J	J	J	J				
	C			K	K	K	K	K	K				
	B			N	N	N	N	N	N				
	A	HD			S	S	S	S	S				HD
2P + 24S + 4P													

PART NUMBER	ROWS	POWER							SIGNAL		POWER		
		P1	P2	P3	P4	P5	P6	P7	1	2	P8	P9	P10
5-6450120-5	D								J	J			
	C								K	K			
	B								N	N			
	A	HD							S	S			HD
7P + 8S + 3ACP													



THIS DRAWING IS A CONTROLLED DOCUMENT.

DIMENSIONS: INCHES	TOLERANCES UNLESS OTHERWISE SPECIFIED: 0 PLC ±. 2 PLC ±.01 3 PLC ±.005 4 PLC ±.0020 ANGLES ±.7°	FINISH	OWN: R. GRZYBOWSKI 02FEB05 CHK: M. PERCHERKE 02FEB05 APVD: M. PERCHERKE 02FEB05	NAME: RIGHT ANGLE HEADER W/GUIDES ASSEMBLY MULTI-BEAM XL
MATERIAL	FINISH	WEIGHT	PRODUCT SPEC: 108-1973 APPLICATION SPEC: 114-13038	SIZE: A1 CAGE CODE: 6450120 DRAWING NO: 17 OF 24
CUSTOMER DRAWING			SCALE: 4:1	REV: M2

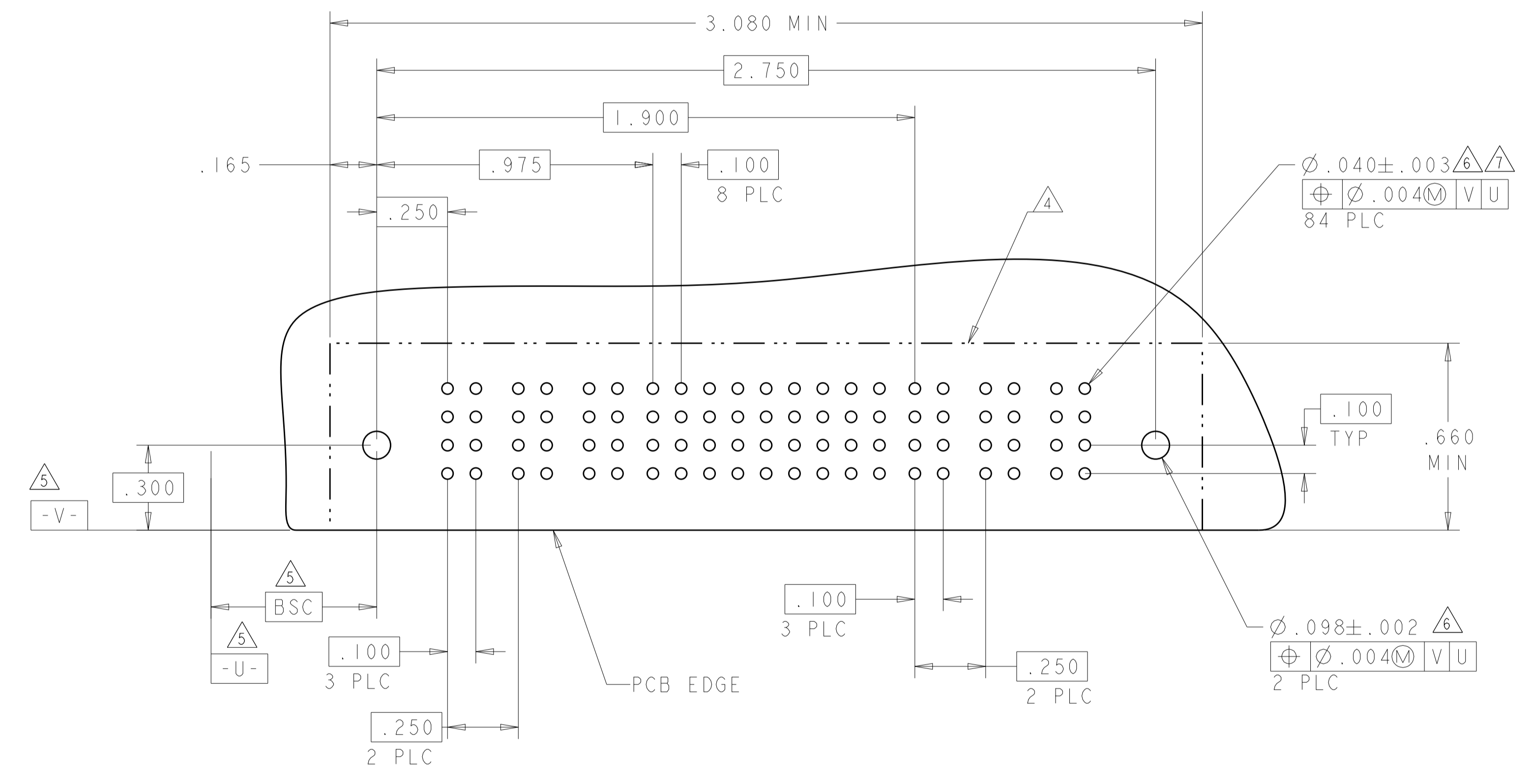
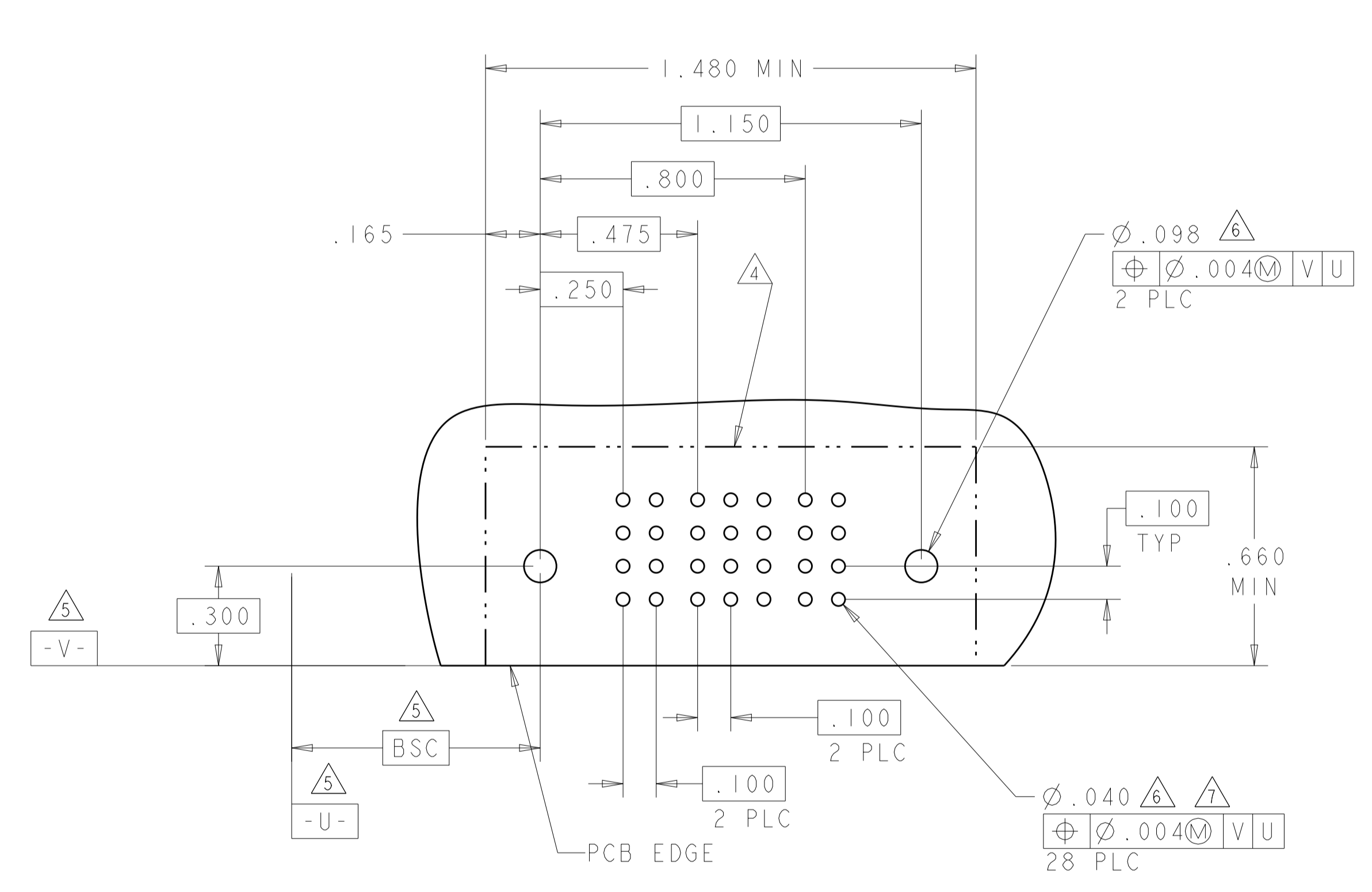
4805 (3/11)

LOC		DIST		REVISIONS			
P	LTN	DESCRIPTION	DATE	DMN	APVD		
ES	00	SEE SHEET 1					

PART NUMBER	ROWS	POWER		SIGNAL			POWER	
		P1	P2	1	2	3	P3	P4
6-6450120-9	D	PM	HD	J	J	E	PM	HD
	C			K	K	K		
	B			N	N	N		
	A			H	S	S		
IP + 12S + IP								

PART NUMBER	ROWS	POWER			SIGNAL									POWER					
		P1	P2	P3	1	2	3	4	5	6	7	8	9	P4	P5	P6			
5-6450120-7	D	PM	HD	PM	J	J	J	J	J	J	J	J	J	J	J	J	PM	HD	
	C				K	K	K	K	K	K	K	K	K	K	K	K			
	B				N	N	N	N	N	N	N	N	N	N	N	N			N
	A				S	S	S	S	S	S	S	S	S	S	S	S			
3P + 36S + 3P																			

PART NUMBER	ROWS	POWER		SIGNAL			POWER	
		P1	P2	1	2	3	P3	P4
5-6450120-6	D	PM	HD	J	J	J	PM	HD
	C			K	K	K		
	B			N	N	N		
	A			S	S	S		
IP + 12S + IP								

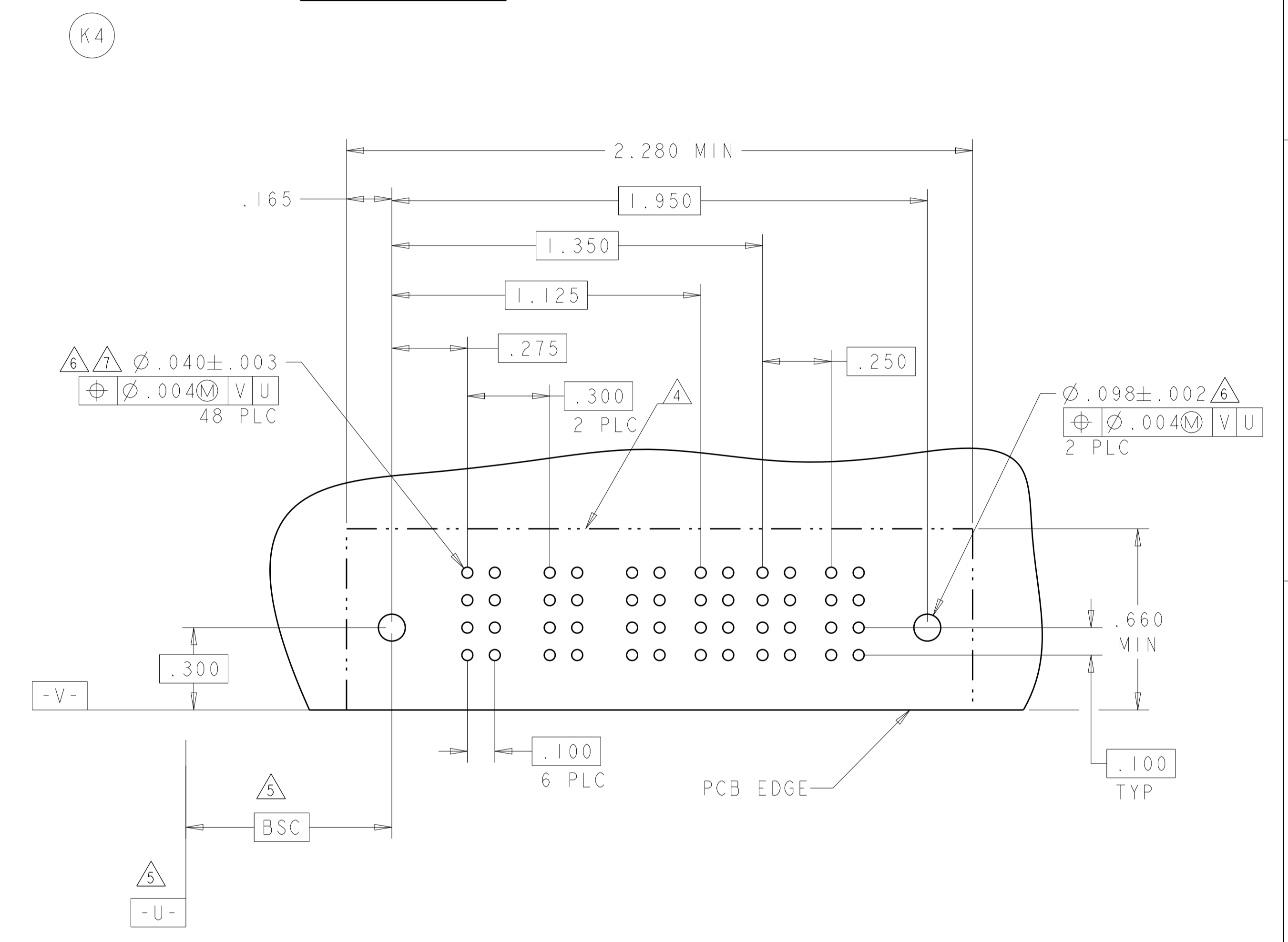
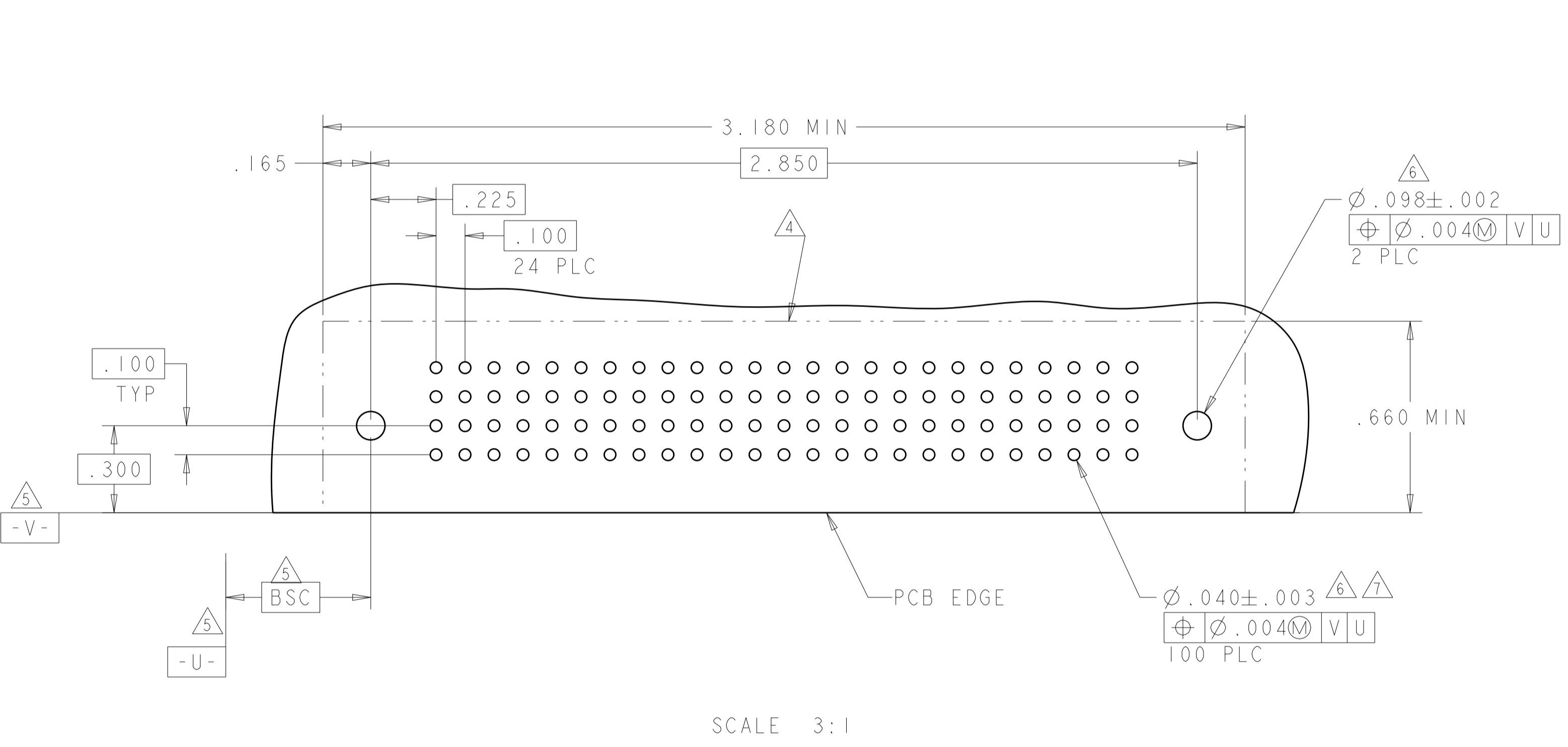


THIS DRAWING IS A CONTROLLED DOCUMENT.		DMN: R. GRZYBOWSKI 02FEB05	TE Connectivity
DIMENSIONS: INCHES		CHK: M. PERCHERKE 02FEB05	
TOLERANCES UNLESS OTHERWISE SPECIFIED:		APVD: M. PERCHERKE 02FEB05	NAME: RIGHT ANGLE HEADER W/GUIDES ASSEMBLY MULTI-BEAM XL
0 PLC ±. 1 PLC ±.01 2 PLC ±.005 3 PLC ±.0025 4 PLC ±.0020 ANGLES ±.2°		PRODUCT SPEC: 108-1973	SIZE: CAGE CODE: DRAWING NO: 114-13038
MATERIAL: FINISH:		APPLICATION SPEC: 114-13038	RESTRICTED TO: A100779
		WEIGHT: CUSTOMER DRAWING	SCALE: 4:1 SHEET 18 OF 24 REV: M2

LOC	DIST	REV	DATE	BY	APPV
ES	00				
REVISIONS			DESCRIPTION		
			SEE SHEET 1		

PART NUMBER	ROWS	SIGNAL																								
		1	2	3	4	5	6	7	8	9	10	11	12	13	14	15	16	17	18	19	20	21	22	23	24	25
5-6450120-8	D	J	J	J	J	J	J	J	J	J	J	J	J	J	J	J	J	J	J	J	J	J	J	J	J	J
	C	K	K	K	K	K	K	K	K	K	K	K	K	K	K	K	K	K	K	K	K	K	K	K	K	K
	B	N	N	N	N	N	N	N	N	N	N	N	N	N	N	N	N	N	N	N	N	N	N	N	N	N
A	S	S	S	S	S	S	S	S	S	S	S	S	S	S	S	S	S	S	S	S	S	S	S	S	S	
100S		HD																								HD

PART NUMBER	ROWS	POWER			SIGNAL		POWER	
		P1	P2	P3	1	2	P4	P5
5-6450120-9	D	PM	PM	PM	J	J	PM	PM
	C				K	K		
	B				N	N		
A				H	S			
3ACP + 8S + 2P		HD						HD



THIS DRAWING IS A CONTROLLED DOCUMENT.

DIMENSIONS:	TOLERANCES UNLESS OTHERWISE SPECIFIED:	OWN: R. GRZYBOWSKI 02FEB05	CHK: M. PERCHERKE 02FEB05	APV: M. PERCHERKE 02FEB05	NAME: R. GRZYBOWSKI
INCHES	0 PLC ± .01 2 PLC ± .01 3 PLC ± .01 4 PLC ± .005 ANGLES ± .0020	PRODUCT SPEC: 108-1973	APPLICATION SPEC: 114-13038	WEIGHT: -	RESTRICTED TO: -
MATERIAL: -	FINISH: -	SIZE: A1	CAGE CODE: 6450120	DRAWING NO: 100779	SCALE: 4:1
CUSTOMER DRAWING		SHEET 19 OF 24		REV M2	

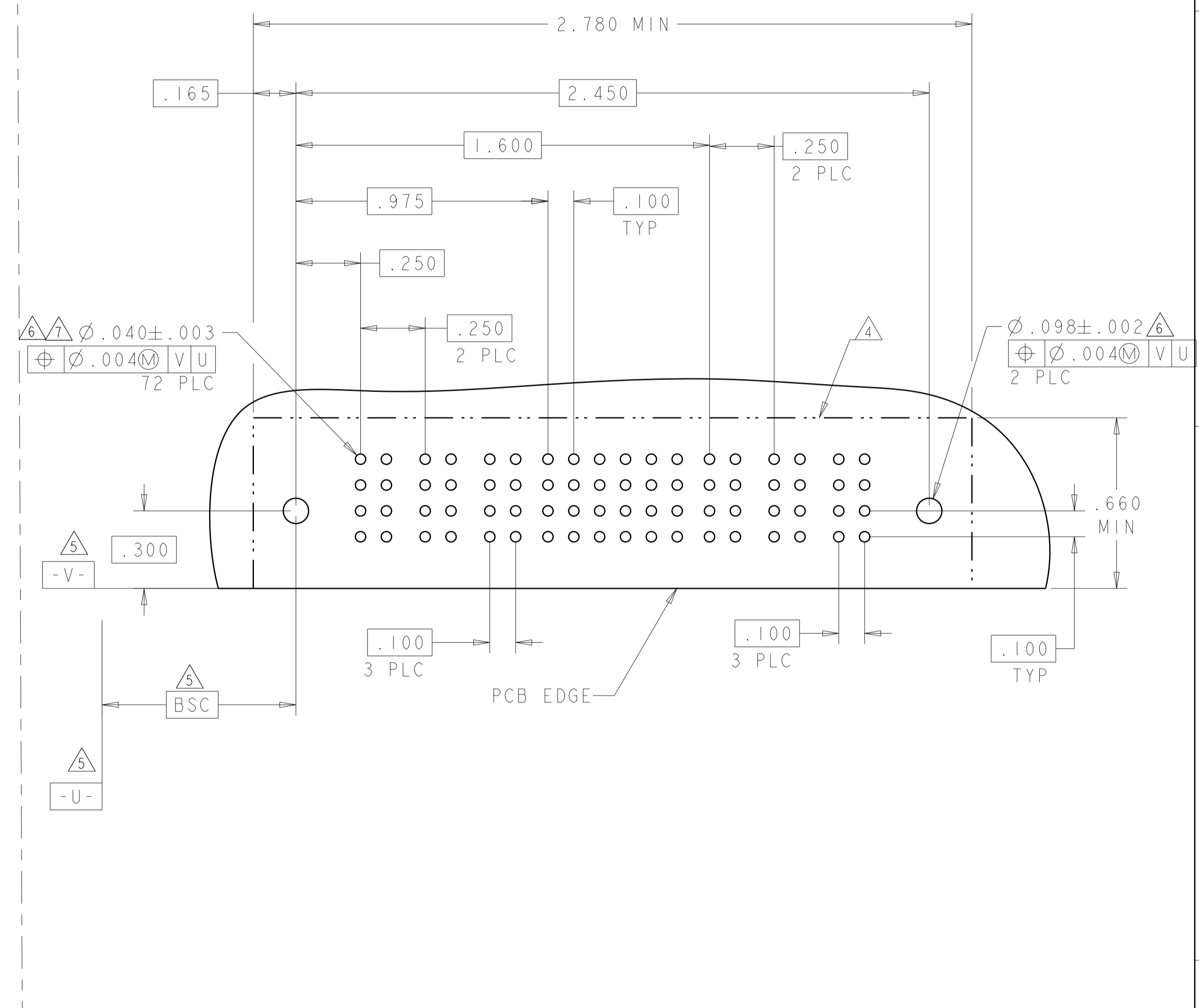
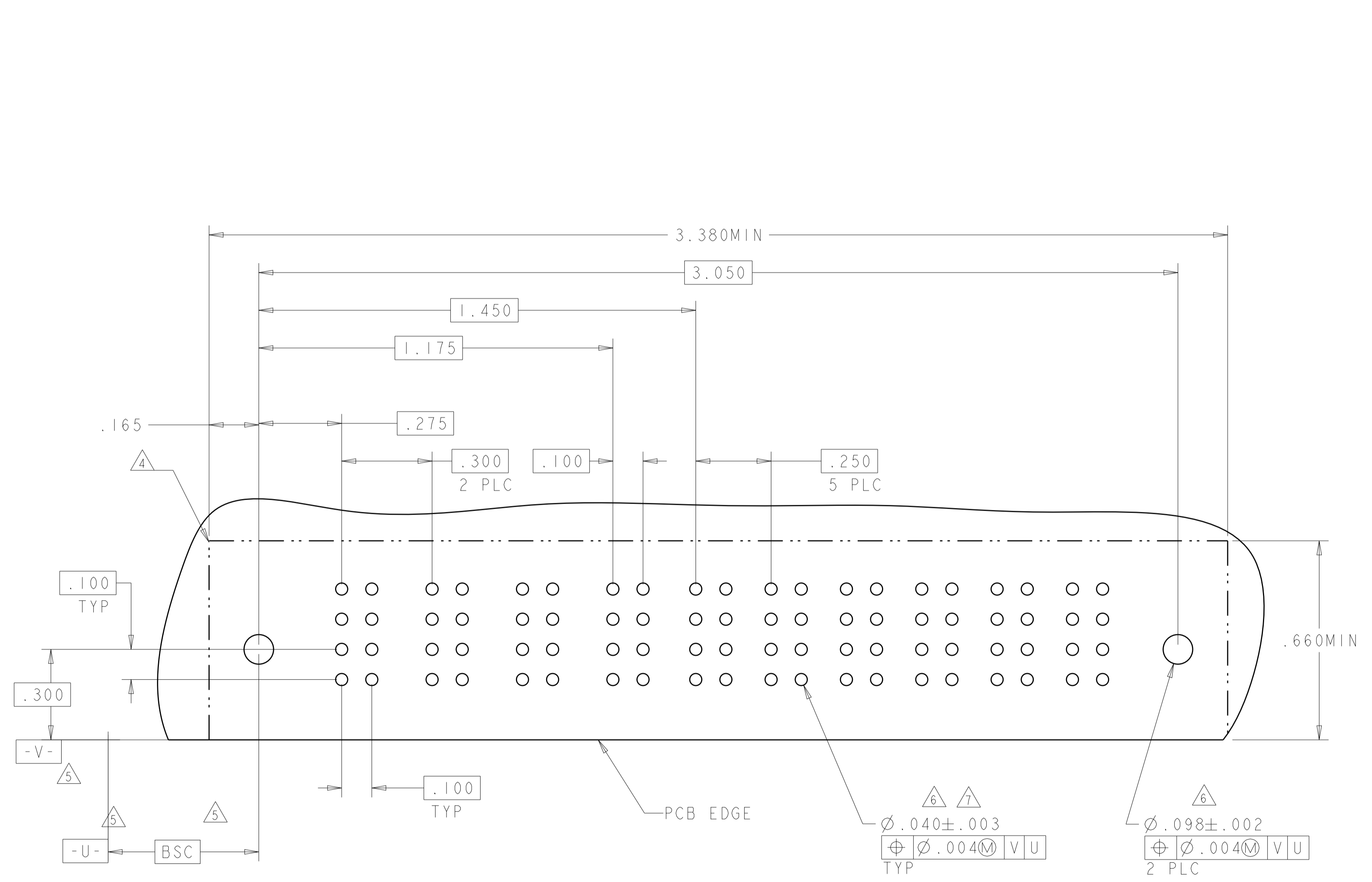
TE Connectivity

RIGHT ANGLE HEADER W/GUIDES ASSEMBLY MULTI-BEAM XL

LOC		DIST		REVISIONS			
P	LTN	DESCRIPTION	DATE	DMN	APVD		
-	-	SEE SHEET 1	-	-	-		

PART NUMBER	ROWS	POWER			SIGNAL		POWER					
		P1	P2	P3	1	2	P4	P5	P6	P7	P8	P9
6-6450120-0	D	PM	PM	PM	J	J	PM	PM	PM	PM	PM	PM
	C				K	K						
	B				N	N						
	A				H	S						
3ACP + 8S + 6P												

PART NUMBER	ROWS	POWER			SIGNAL						POWER		
		P1	P2	P3	1	2	3	4	5	6	P4	P5	P6
6-6450120-1	D	PM	PM	PM	J	J	J	J	J	J	PM	PM	PM
	C				K	K	F	F	K	K			
	B				N	N	G	G	N	N			
	A				S	S	S	S	S	S			
3P + 24S + 3P													



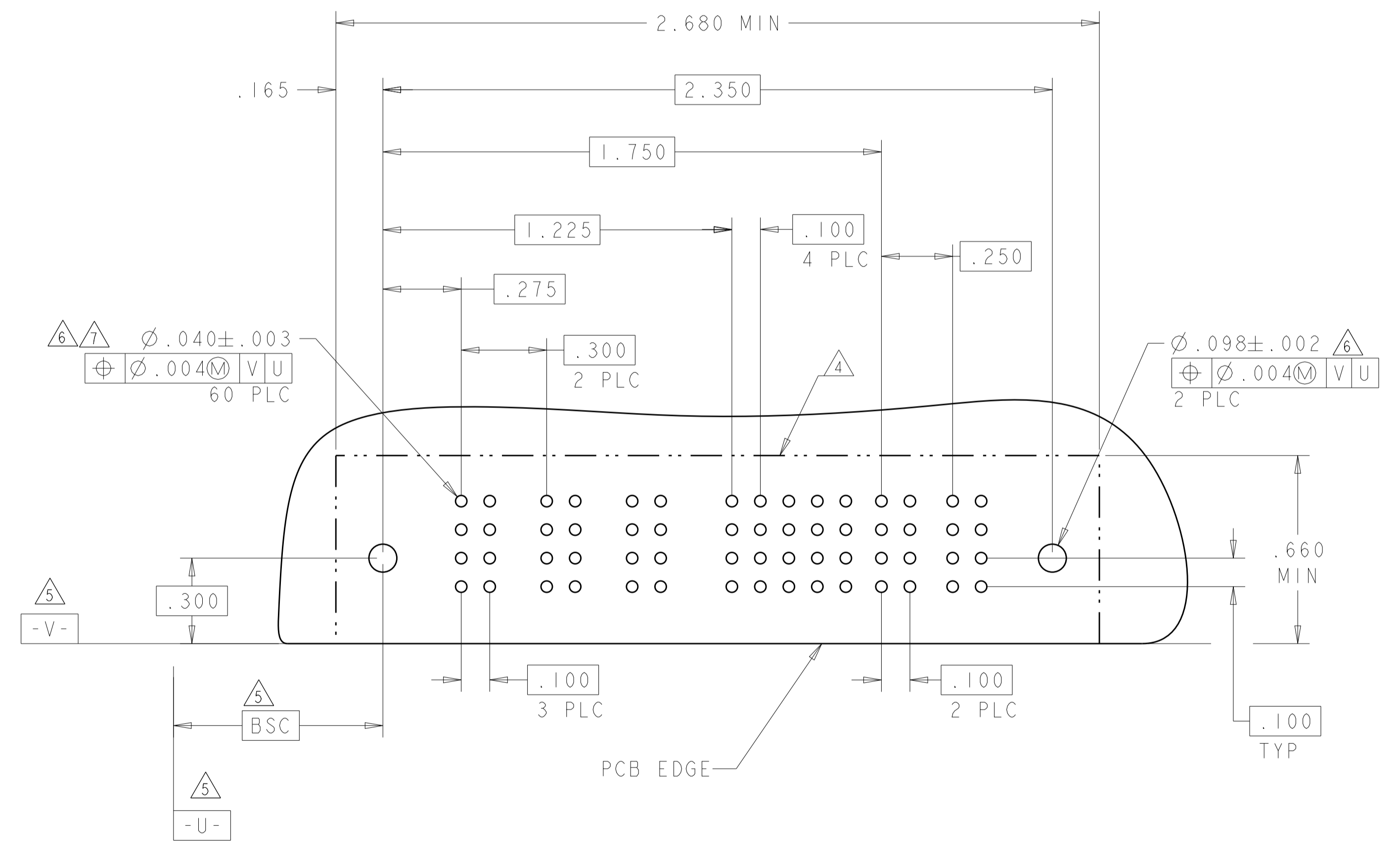
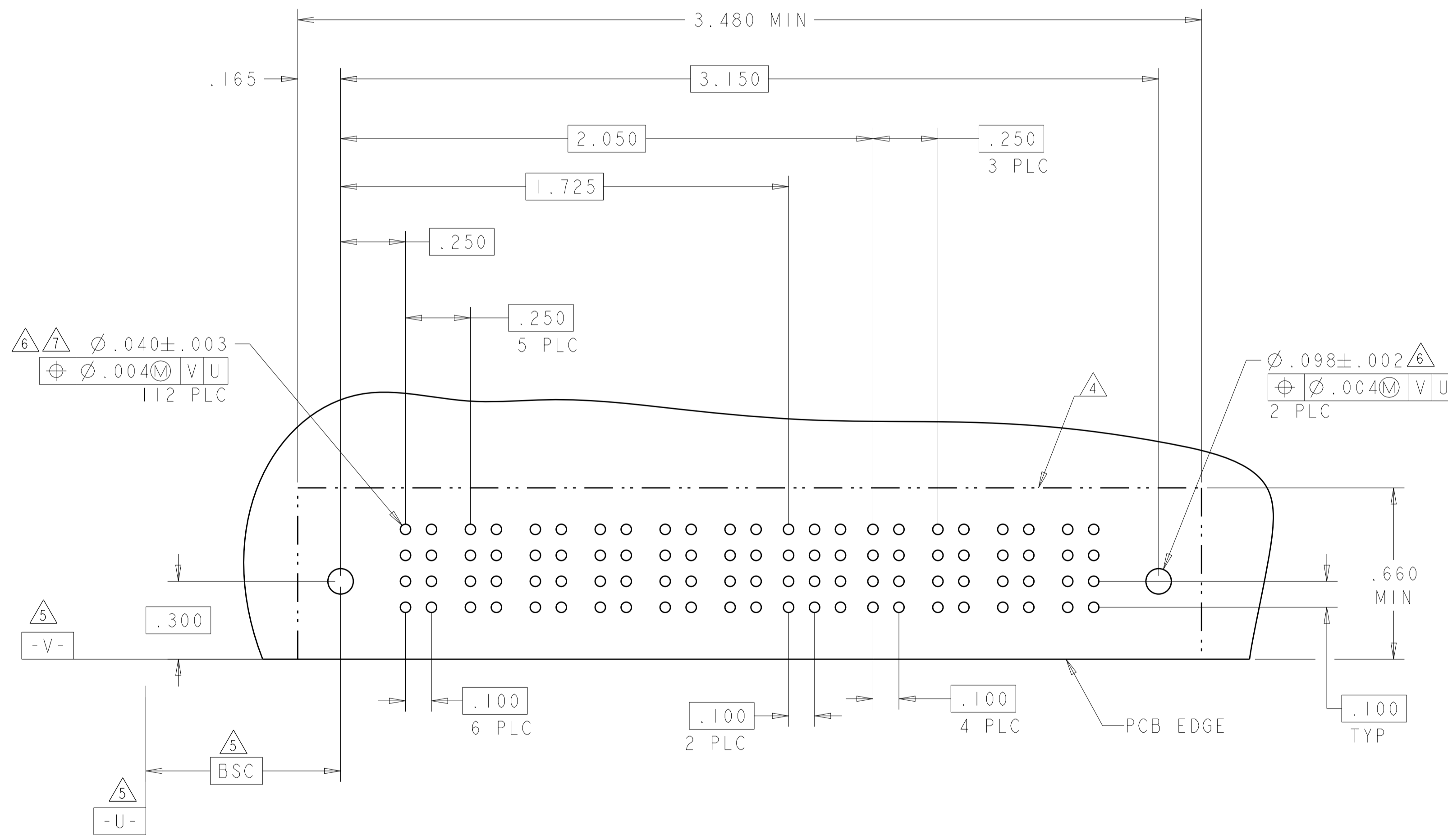
THIS DRAWING IS A CONTROLLED DOCUMENT.		DMN: R. GRZYBOWSKI 02FEB05	TE Connectivity
DIMENSIONS: INCHES		CHK: M. PERCHERKE 02FEB05	
TOLERANCES UNLESS OTHERWISE SPECIFIED:		APVD: M. PERCHERKE 02FEB05	NAME: RIGHT ANGLE HEADER W/GUIDES ASSEMBLY MULTI-BEAM XL PRODUCT SPEC: 108-1973 APPLICATION SPEC: 114-13038
0 PLC ±. 1 PLC ±.01 2 PLC ±.005 3 PLC ±.0020 4 PLC ±. ANGLES ±.020		SIZE: A100779 CAGE CODE: C=6450120 WEIGHT: - FINISH: - CUSTOMER DRAWING	
MATERIAL: -		RESTRICTED TO: -	SCALE: 4:1 SHEET 20 OF 24 REV: M2

LOC	DIST	REV	DATE	BY	APPD
ES	00				
DESCRIPTION			DATE	BY	APPD
SEE SHEET 1					

PART NUMBER	ROWS	POWER						SIGNAL			POWER			
		P1	P2	P3	P4	P5	P6	1	2	3	P7	P8	P9	P10
6-6450120-4	D C B A	PM	PM	PM	PM	PM	J	J	E	PM	PM	PM	PM	
							K	K	F					
							N	N	N					
6P + 12S + 4P		HD					S	S	S				HD	

PART NUMBER	ROWS	POWER			SIGNAL						POWER	
		P1	P2	P3	1	2	3	4	5	6	P4	P5
6-6450120-5	D C B A	PM	PM	PM	J	J	J	J	J	J	PM	PM
					K	K	K	K	K			
					N	N	N	N	N			
3ACP + 24S + 2P		HD			S	S	S	S	S			HD

NO CONTACTS LOADED



THIS DRAWING IS A CONTROLLED DOCUMENT.

DIMENSIONS:	TOLERANCES UNLESS OTHERWISE SPECIFIED:	OWN: R. GRZYBOWSKI 02FEB05	CHK: M. PERCHERKE 02FEB05	APVD: M. PERCHERKE 02FEB05	NAME: RIGHT ANGLE HEADER W/GUIDES ASSEMBLY MULTI-BEAM XL
INCHES	0 PLC ±.01 1 PLC ±.01 2 PLC ±.01 3 PLC ±.005 4 PLC ±.002 ANGLES ±.7°	PRODUCT SPEC: 108-1973	APPLICATION SPEC: 114-13038	WEIGHT: -	SIZE: A1
MATERIAL:	FINISH:	CAGE CODE: 100779	DRAWING NO: 6450120	SCALE: 4:1	SHEET 21 OF 24
CUSTOMER DRAWING			REV: M2		

STE TE Connectivity

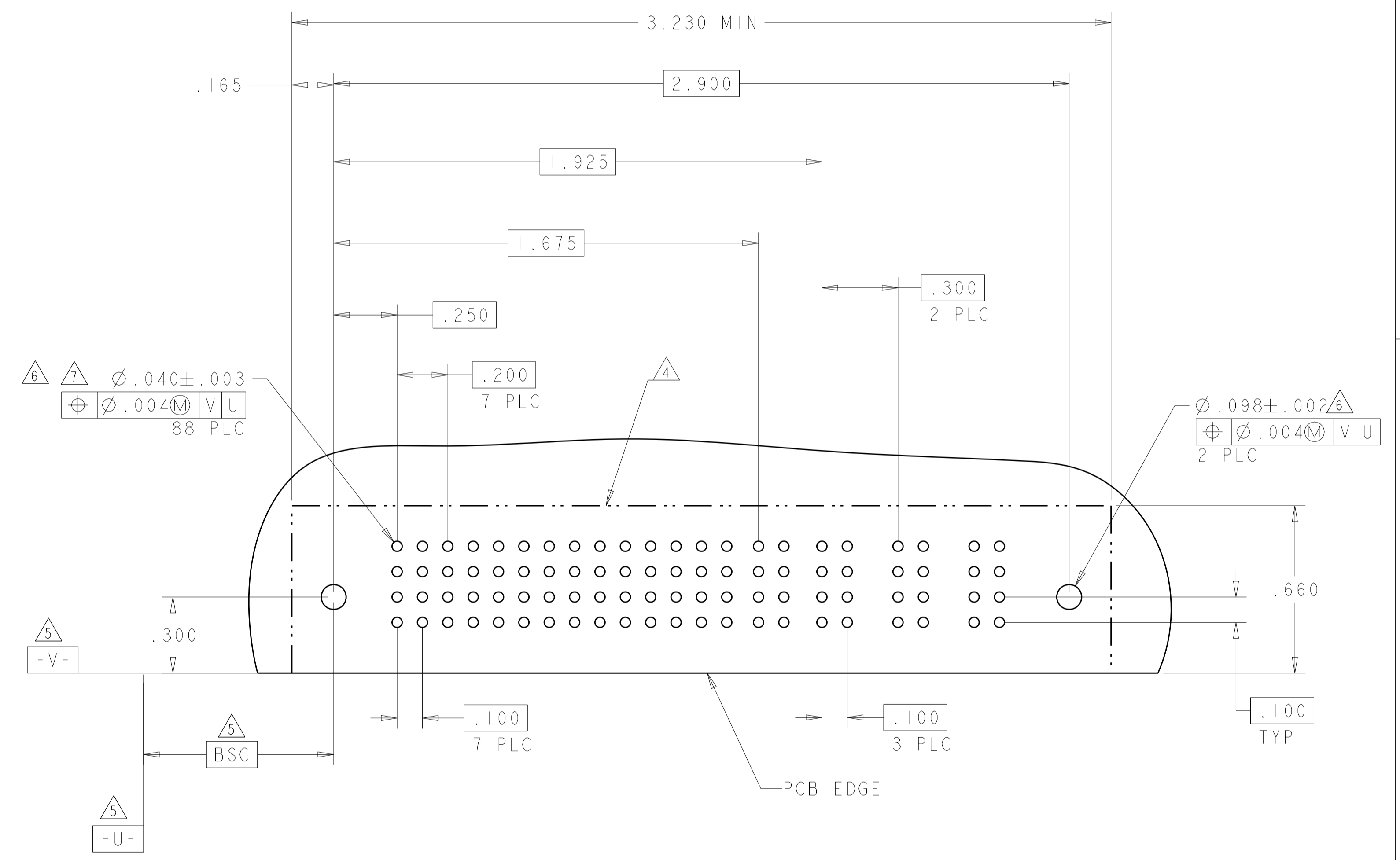
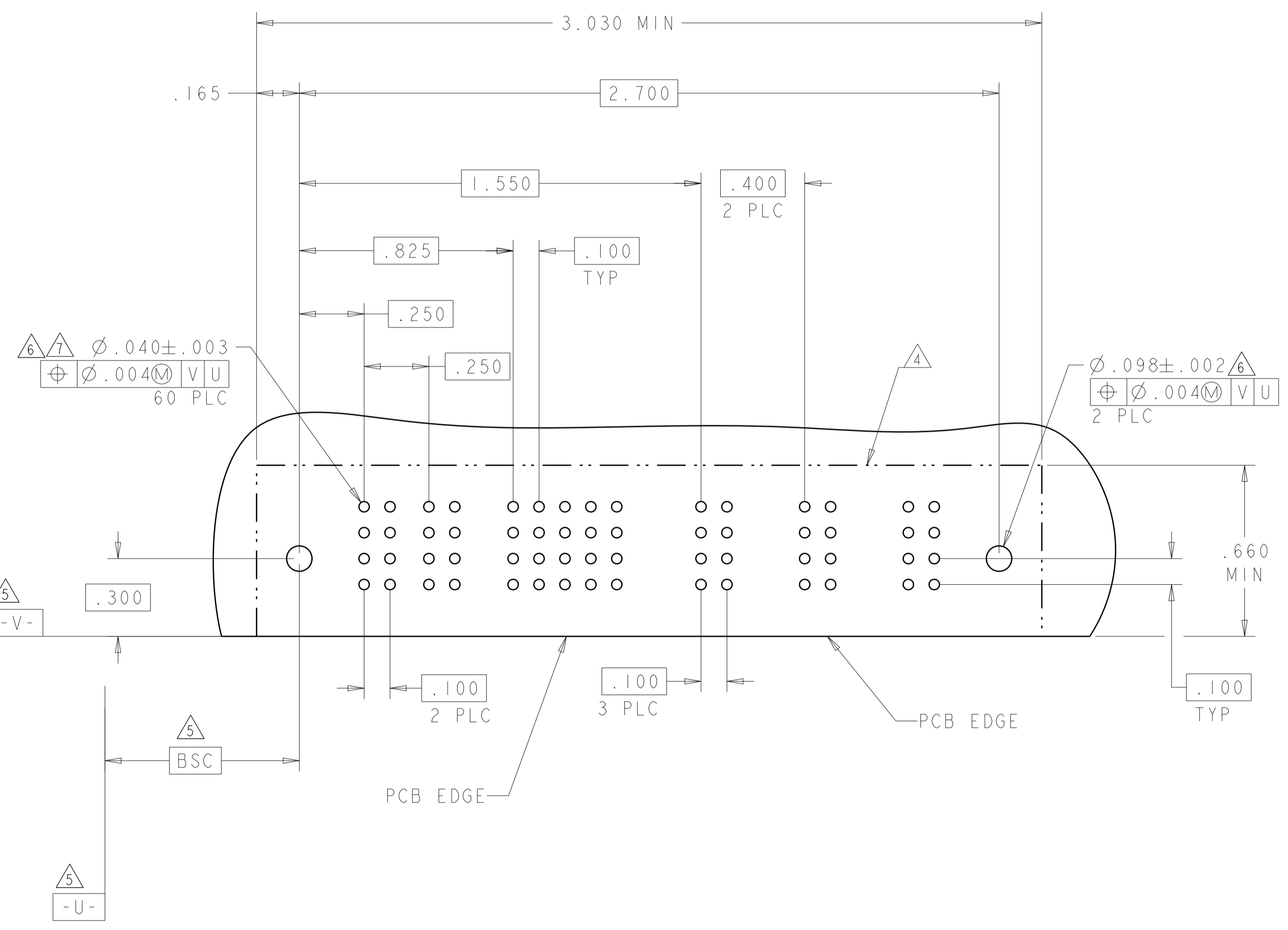
LOC		DIST		REVISIONS			
ES	00	P	LTN	DESCRIPTION	DATE	DMN	APVD
		-		SEE SHEET 1			

PART NUMBER	ROWS	POWER		SIGNAL						POWER					
		P1	P2	1	2	3	4	5	6	P3	P4	P5	P6	P7	P8
6-6450120-6	D	PM	PM	J	J	J	J	J		PM	PM	PM	PM	PM	PM
	C			K	K	K	K	K							
	B			N	N	N	N	N							
A	S	S	S	S	S										
2P + 24S + 6P		HD								HD					

NO CONTACTS LOADED

PART NUMBER	ROWS	POWER							SIGNAL		POWER		
		P1	P2	P3	P4	P5	P6	P7	1	2	P8	P9	P10
6-6450120-7	D	PM	PM	PM	PM	PM	PM	PM	E	E	PM	PM	PM
	C								F	F			
	B								G	G			
	A								H	H			
7HDP + 8S + 3ACP		HD									HD		

(L5)



THIS DRAWING IS A CONTROLLED DOCUMENT.

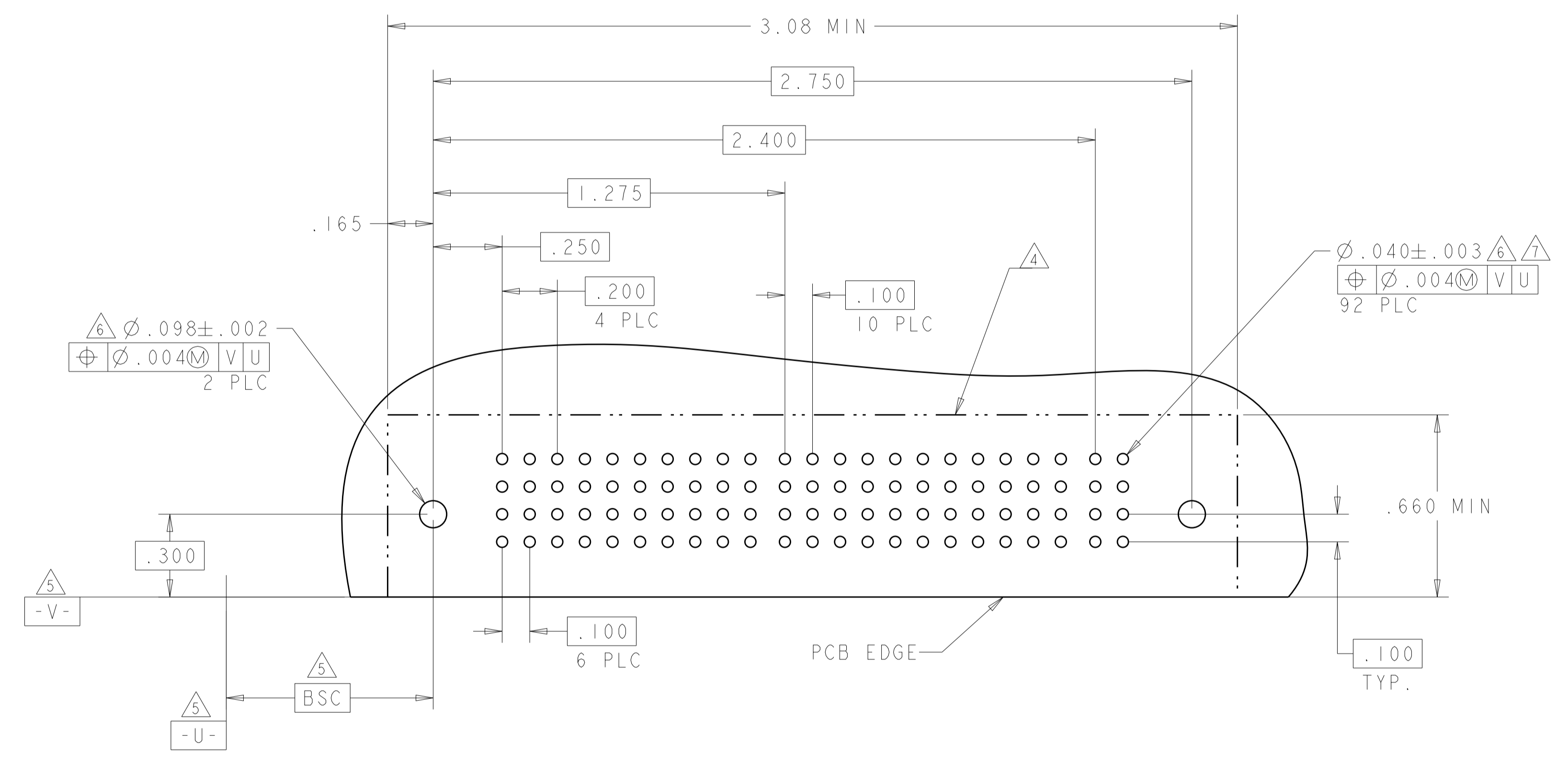
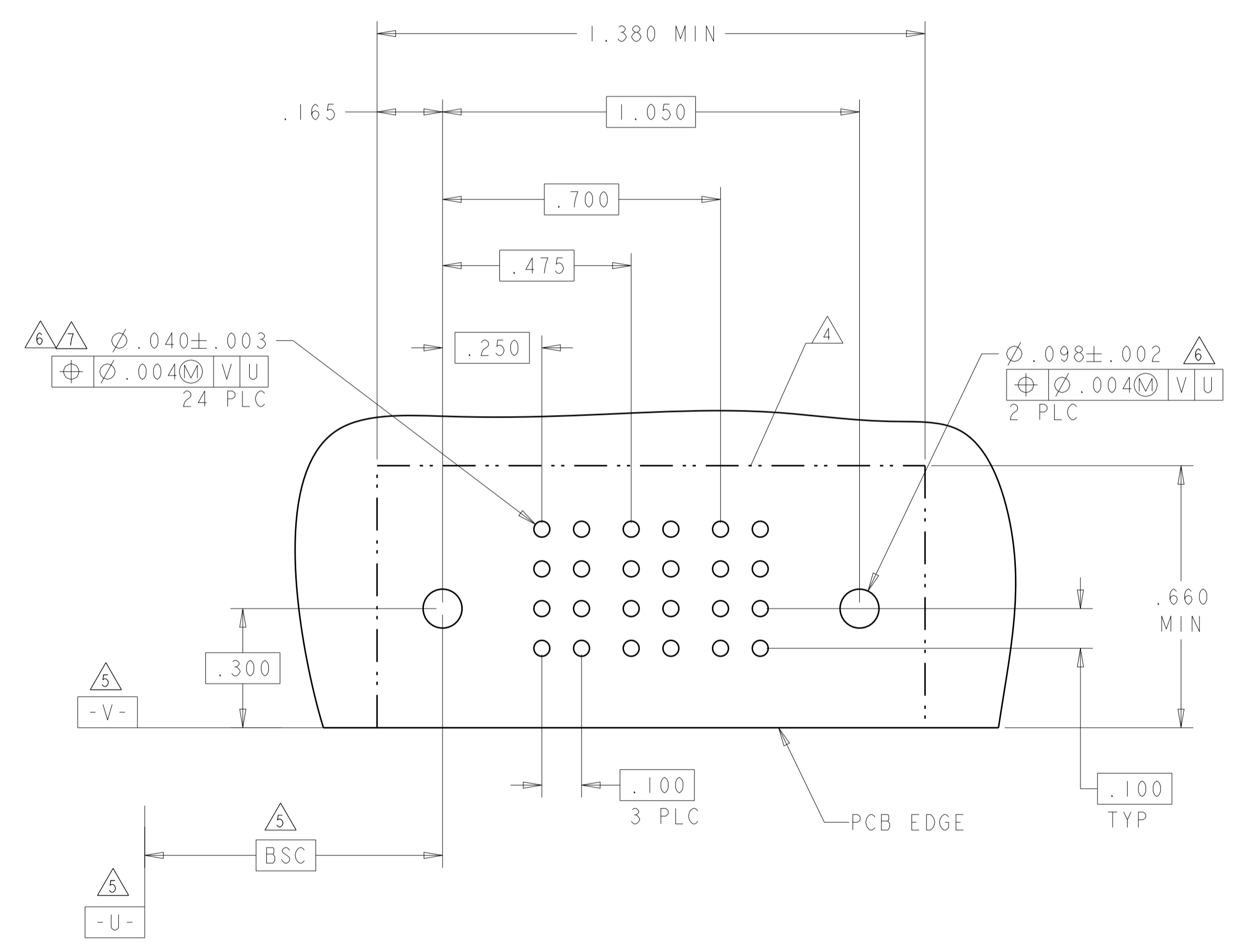
DIMENSIONS: INCHES	TOLERANCES UNLESS OTHERWISE SPECIFIED:	DMN: R. GRZYBOWSKI 02FEB05	CHK: M. PERCHERKE 02FEB05	NAME: RIGHT ANGLE HEADER W/GUIDES ASSEMBLY MULTI-BEAM XL
	0 PLC ±.01 1 PLC ±.01 2 PLC ±.01 3 PLC ±.005 4 PLC ±.002 ANGLES ±.020	APVD: M. PERCHERKE 02FEB05	PRODUCT SPEC: 108-1973	
MATERIAL:	FINISH:	WEIGHT:	CUSTOMER DRAWING	SCALE: 4:1

RESTRICTED TO: A100779C=6450120 SHEET 22 OF 24 REV M2

LOC		DIST		REVISONS			
P	LTN	DESCRIPTION	DATE	DMN	APVD		
ES	00	SEE SHEET 1					

PART NUMBER	ROWS	POWER		SIGNAL		POWER	
		P1	P2	1	2	P1	P2
6-6450120-8	D	PM	PM	J	J	PM	PM
	C			K	K		
	B			N	N		
	A			S	S		
IP + 8S + IP		HD				HD	

PART NUMBER	ROWS	POWER					SIGNAL											POWER				
		P1	P2	P3	P4	P5	1	2	3	4	5	6	7	8	9	10	11	P6				
7-6450120-0	D	PM	PM	PM	PM	J	J	J	J	J												
	C																					
	B																					
	A																					
5P + 44S + IP		HD				G	N	N	N	N	N	N	N	N	N	N	N	N	N			
						H	H	H	H	H	S	S	H	H	H	H	H	H	H			



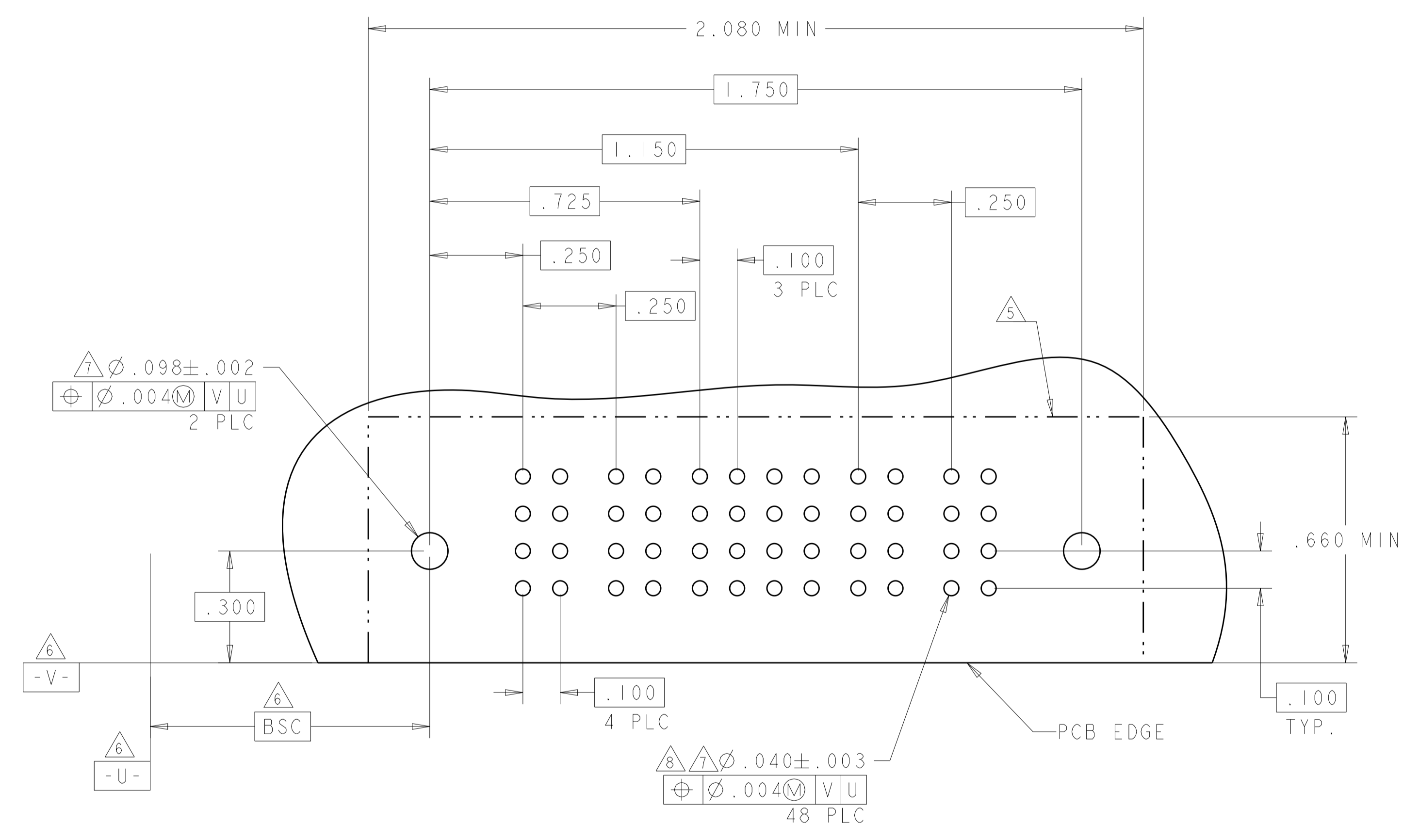
THIS DRAWING IS A CONTROLLED DOCUMENT.

DIMENSIONS: INCHES	TOLERANCES UNLESS OTHERWISE SPECIFIED: 0 PLC ±. 2 PLC ±.01 3 PLC ±.005 4 PLC ±.0020 ANGLES ±.7°	FINISH	DMN: R. GRZYBOWSKI 02FEB05 CHK: M. PERCHERKE 02FEB05 APVD: M. PERCHERKE 02FEB05	NAME: RIGHT ANGLE HEADER W/GUIDES ASSEMBLY MULTI-BEAM XL
MATERIAL	WEIGHT	RESTRICTED TO	PRODUCT SPEC: 108-1973	SIZE: A1
			APPLICATION SPEC: 114-13038	CAGE CODE: 6450120
			WEIGHT	SCALE: 4:1
			CUSTOMER DRAWING	SHEET 23 OF 24

4805 (3/11)

LOC	DIST	REVISIONS					
		P	LTN	DESCRIPTION	DATE	DMN	APVD
ES	00	-	-	SEE SHEET 1	-	-	-

PART NUMBER	ROWS	POWER		SIGNAL				POWER	
		P1	P2	1	2	3	4	P3	P4
7-6450120-1	D	PM	PM	E	E	E	E	PM	PM
	C			F	F	F	F		
	B			N	N	N	N		
	A			H	H	H	H		
2P + 16S + 2P		HD						HD	



THIS DRAWING IS A CONTROLLED DOCUMENT.		DMN: R.GRZYBOWSKI 02FEB05	 TE Connectivity
DIMENSIONS: INCHES		CHK: M.PERCHEKKE 02FEB05	
TOLERANCES UNLESS OTHERWISE SPECIFIED:		APVD: M.PERCHEKKE 02FEB05	NAME: RIGHT ANGLE HEADER W/GUIDES ASSEMBLY MULTI-BEAM XL
0 PLC ±	1 PLC ±.01	PRODUCT SPEC: 108-1973	SIZE: CAGE CODE: DRAWING NO: A100779C=6450120
2 PLC ±.01	3 PLC ±.005	APPLICATION SPEC: 114-13038	RESTRICTED TO: -
4 PLC ±.0020	ANGLES ±7°	WEIGHT: -	SCALE: 4:1 SHEET 24 OF 24 REV: M2
MATERIAL: -	FINISH: -	CUSTOMER DRAWING	

X-ON Electronics

Largest Supplier of Electrical and Electronic Components

Click to view similar products for [Power to the Board](#) category:

Click to view products by [TE Connectivity](#) manufacturer:

Other Similar products are found below :

[10131318-08512GRLF](#) [6450171-4](#) [6450552-7](#) [6600323-8](#) [6643429-1](#) [6646040-2](#) [6651939-1](#) [6766604-1](#) [120959-1](#) [1393557-2](#) [1393532-2](#)
[1393532-3](#) [1393532-4](#) [1393557-1](#) [1600812-5](#) [1-6450861-2](#) [1645595-1](#) [1743490-1](#) [1744132-7](#) [1761122-1](#) [1766169-1](#) [1766250-1](#) [18362](#)
[1892109-1](#) [1-967627-6](#) [2226808-1](#) [2-6450860-5](#) [2-6450860-6](#) [2-6450870-0](#) [93003-0502](#) [953552-1](#) [1-6450161-4](#) [1-6450850-6](#) [1645526-2](#) [1-](#)
[6600130-0](#) [1743419-1](#) [1766150-1](#) [2005243-2](#) [211110-1](#) [2-6600130-2](#) [TE34-12-16P-F0](#) [51700-10201602AALF](#) [5-6450830-6](#) [5646956-4](#)
[36662-0005](#) [40585-3000](#) [4-6450830-9](#) [4-6600333-3](#) [51142-0214](#) [10125416-4050LF](#)