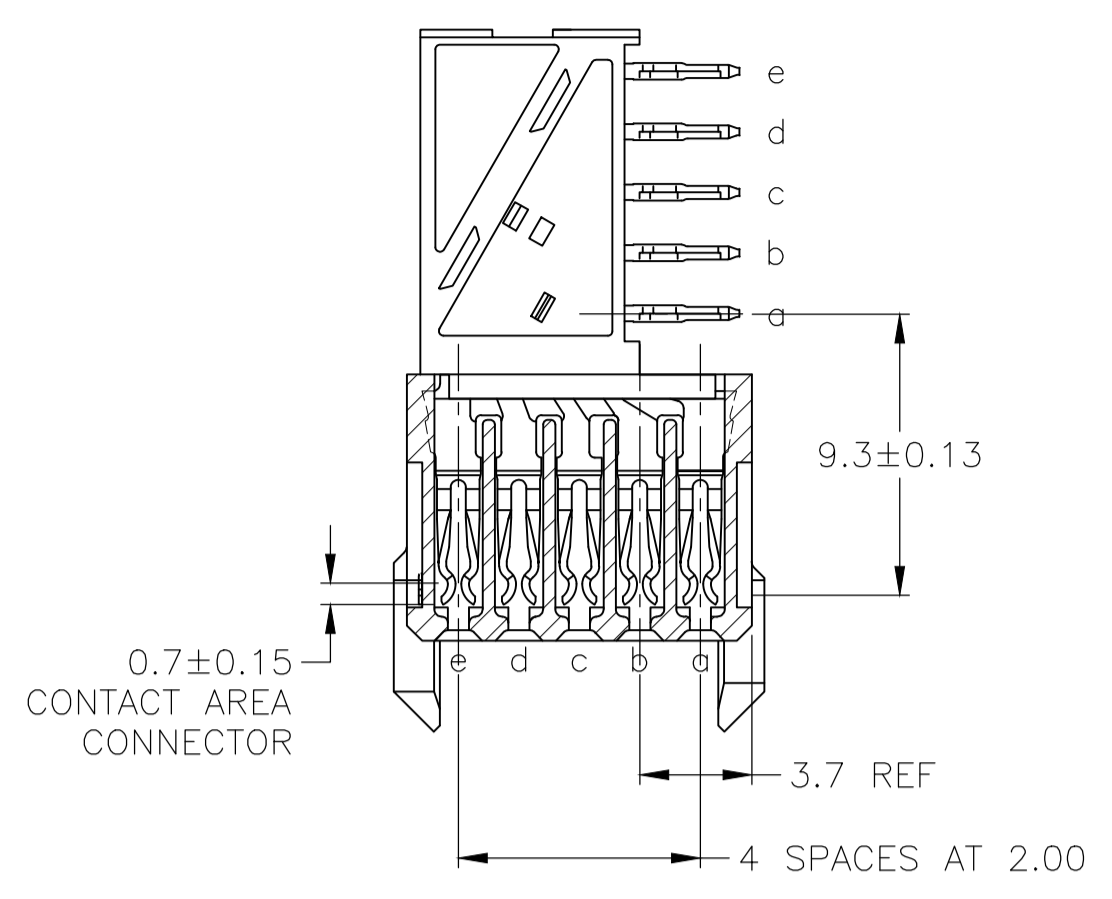
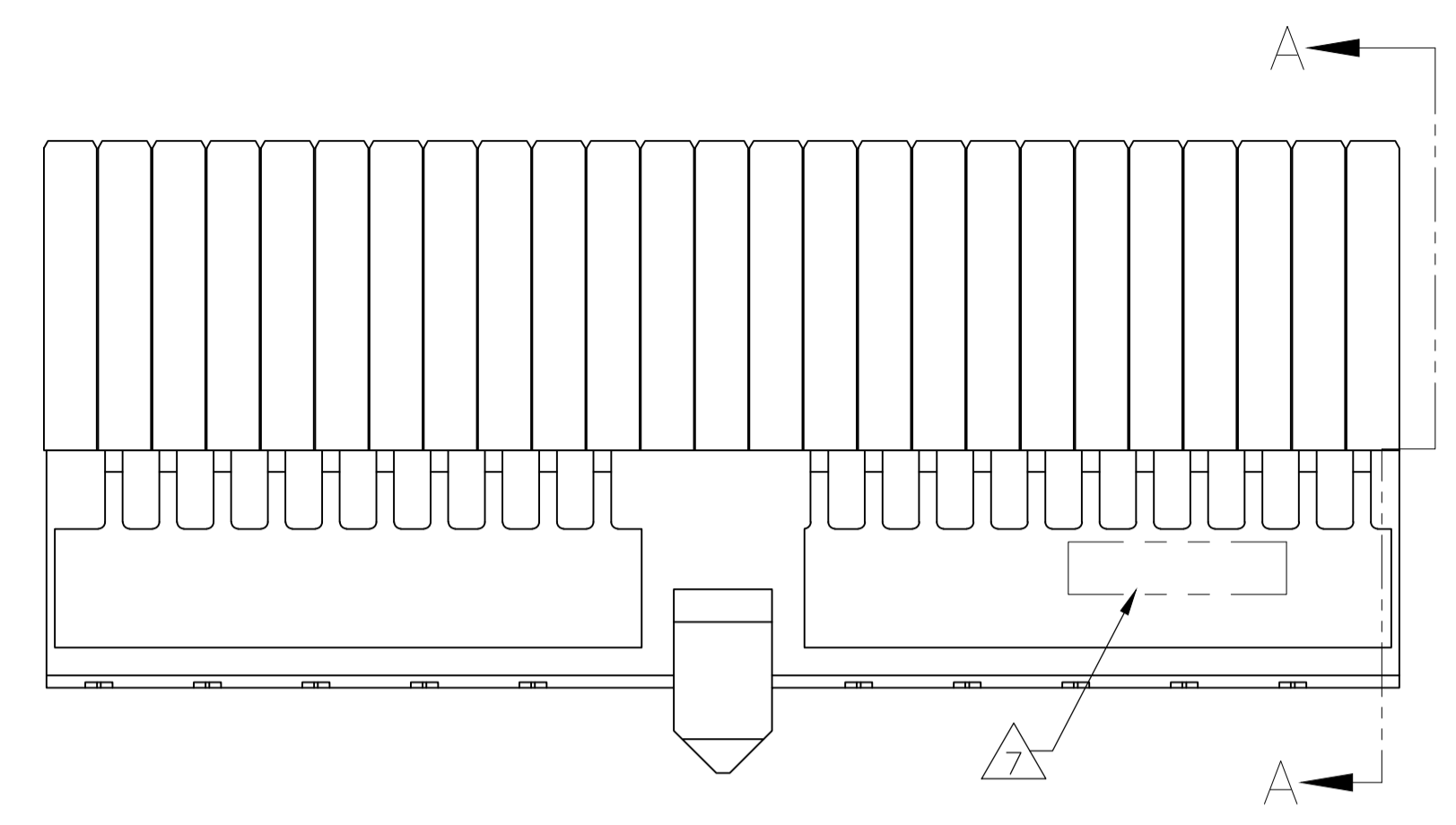
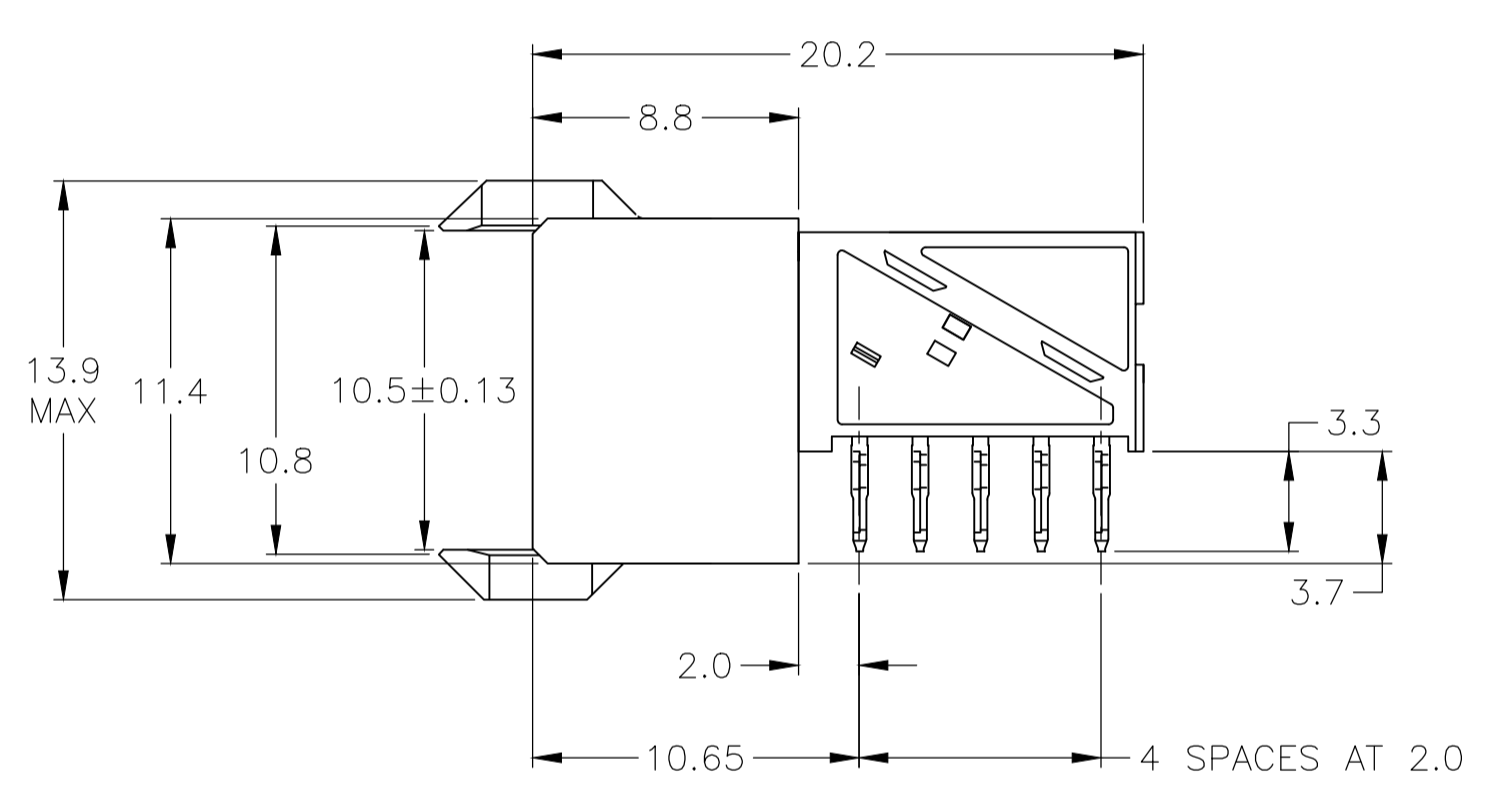
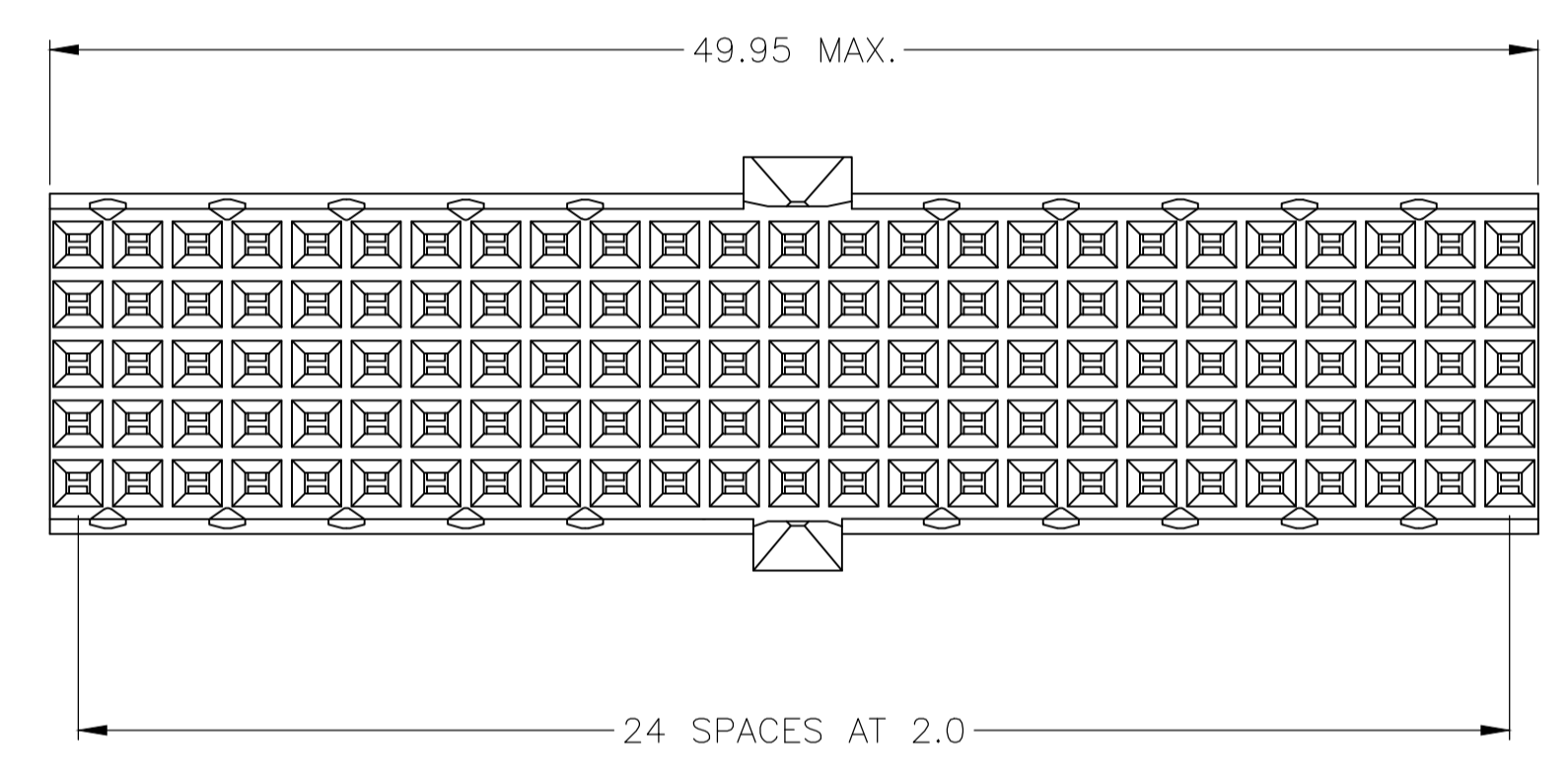


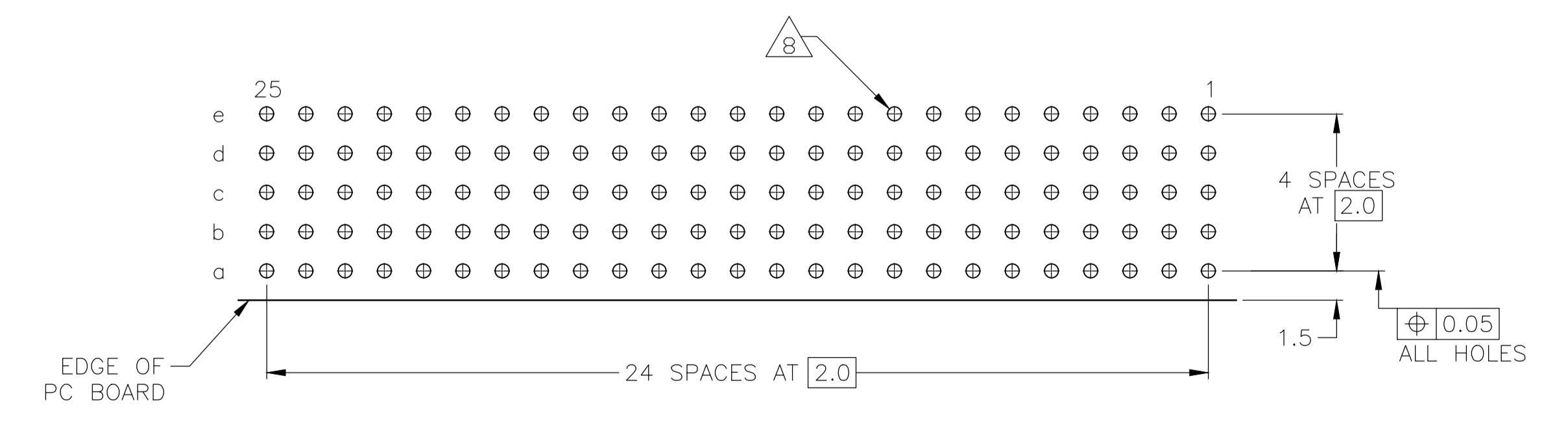
REVISIONS				
REV	BY	DESCRIPTION	DATE	APP'D
E	REV PER ECR-18-007319		12DEC2018	FL HL



SECTION A-A



- 1 MATERIAL:
CONTACT: PHOSPHOR BRONZE.
HOUSING: GLASS-FILLED POLYESTER.
- 2 GENERAL PLATING SPECIFICATION: UNDERPLATING (ENTIRE CONTACT): 1.27µm MIN NICKEL AND ACTION PIN: 0.5µm MIN TIN.
FOR PLATING OF MATING SURFACES SEE APPLICABLE SPECIFICATION REFERENCE FOR EACH DASH NUMBER.
- 3 CONFORMS TO ALL TESTING ACCORDING TO IEC 61076-4-101 PERFORMANCE LEVEL 2.
- 4 CONFORMS TO ALL TESTING ACCORDING TO IEC 61076-4-101 PERFORMANCE LEVEL 1.
- 5 CONNECTOR TESTED AND QUALIFIED AGAINST TELCORDIA GR-1217-CORE QUALITY LEVEL 3, CENTRAL OFFICE APPLICATIONS.
- 6 CONNECTOR TESTED AND QUALIFIED AGAINST TELCORDIA GR-1217-CORE QUALITY LEVEL 3, UNCONTROLLED ENVIROMENT APPLICATIONS.
- 7 CONNECTOR MARKED WITH PART NUMBER AND DATE CODE.
ADDITIONAL CHARACTERS OR MARKINGS, AS WELL AS THE LOCATION OF THE MARKINGS, MAY BE ADDED FOR TRACEABILITY BASED UPON MANUFACTURERS DISCRETION.
- 8 HOLE PATTERN FOR FEMALE CONNECTOR TYPE A/B 125 PLATED-THROUGH HOLES AT 2x2mm SQUARE GRID.
- 9 CONNECTOR LUBRICATED WITH BELLCORE APPROVED LUBRICANT. TECHNICAL REFERENCE TR-NWT-001217 ISSUE 1, SEPT 1992.
- 10 0.76µm MIN. GOLD PLATING AT MATING SURFACES.



RECOMMENDED PCB LAYOUT
(COMPONENT SIDE AS SHOWN)

PCB HOLE DIM ACTION PIN
FOR DETAILS SEE
APPLICATION SPECIFICATION

	2	3	10	3-5646574-0
OBSOLETE	2	3	9	1-5646574-9
OBSOLETE	2	3	9	5646574-9
	2	4	9	5646574-4
	2	3		5646574-1
FINISH				PART NUMBER

THIS DRAWING IS A CONTROLLED DOCUMENT.		DIN B. CARDO 11MAR05	STE TE Connectivity	
DIMENSIONS: mm		CIK 11MAR05	NAME RECEPTACLE ASSEMBLY, Z-PACK Z-PACK 2mm HM, TYPE A/B	
TOLERANCES UNLESS OTHERWISE SPECIFIED:		APVD G. SKIPPER 11MAR05	PRODUCT SPEC 108-19082	
0-PLC ±		APPLICATION SPEC 114-19029		
1-PLC ±0.2		SIZE A1		
2-PLC ±		CAGE CODE 00779		
3-PLC ±		DRAWING NO. 5646574		
4-PLC ±		RESTRICTED TO		
ANGLES ±		WEIGHT 0.000000		
FINISH SEE TABLE		CUSTOMER DRAWING		
1		SCALE 4:1 SHEET 1 OF 1 REV E		

X-ON Electronics

Largest Supplier of Electrical and Electronic Components

Click to view similar products for [Hard Metric Connectors](#) category:

Click to view products by [TE Connectivity](#) manufacturer:

Other Similar products are found below :

[6345127-1](#) [646916-9](#) [6469658-1](#) [973108](#) [1-2000713-0](#) [1-2000713-2](#) [1-2000713-3](#) [1645343-1](#) [1645456-1](#) [1645594-1](#) [1645595-1](#) [1645601-1](#)
[1934822-1](#) [278071110010833](#) [1645179-1](#) [1645245-1](#) [1645457-1](#) [1645525-1](#) [1645570-1](#) [1645596-1](#) [17041102202](#) [1857470-1](#) [1934275-1](#)
[1934289-1](#) [1934759-1](#) [2000673-1](#) [2170292-2](#) [2-536642-6](#) [3-106015-1](#) [352188-1](#) [352629-1](#) [5120823-1](#) [5120899-1](#) [3-100145-0](#) [3-100147-0](#)
[3-100669-1](#) [3-106081-0](#) [HM2DK2368PLF](#) [5646530-1](#) [3-352049-0](#) [3-352069-0](#) [3-352115-0](#) [3-352638-0](#) [352189-1](#) [3-646357-0](#) [3-646487-0](#)
[3-646513-0](#) [104108](#) [106726-1](#) [114352](#)