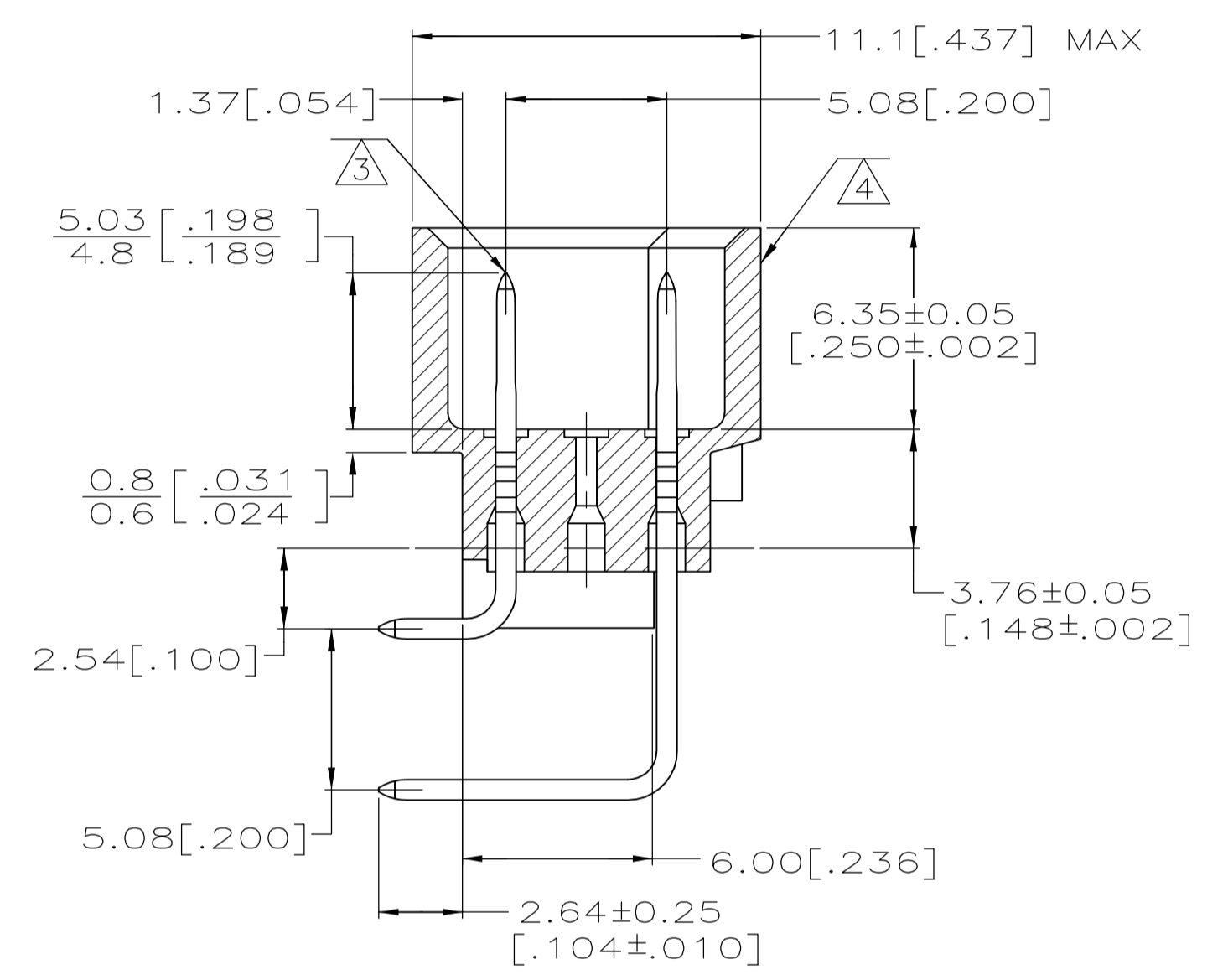
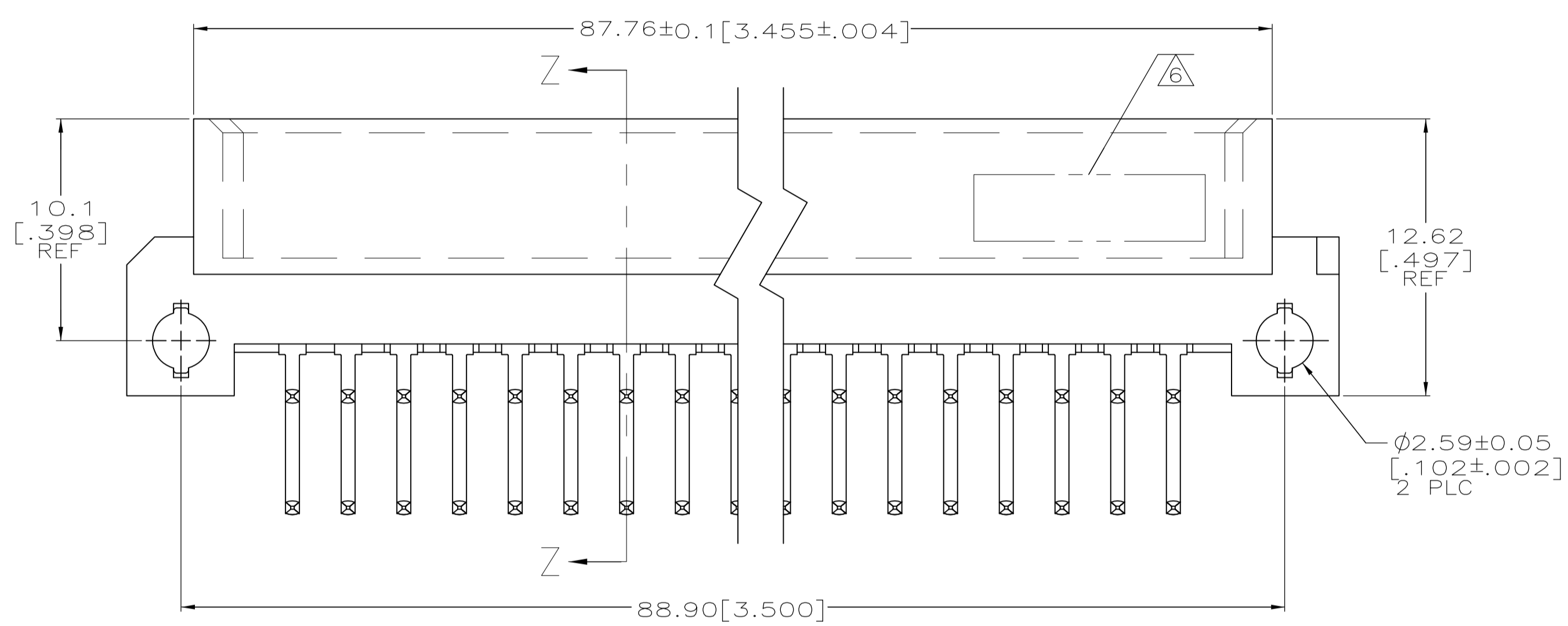
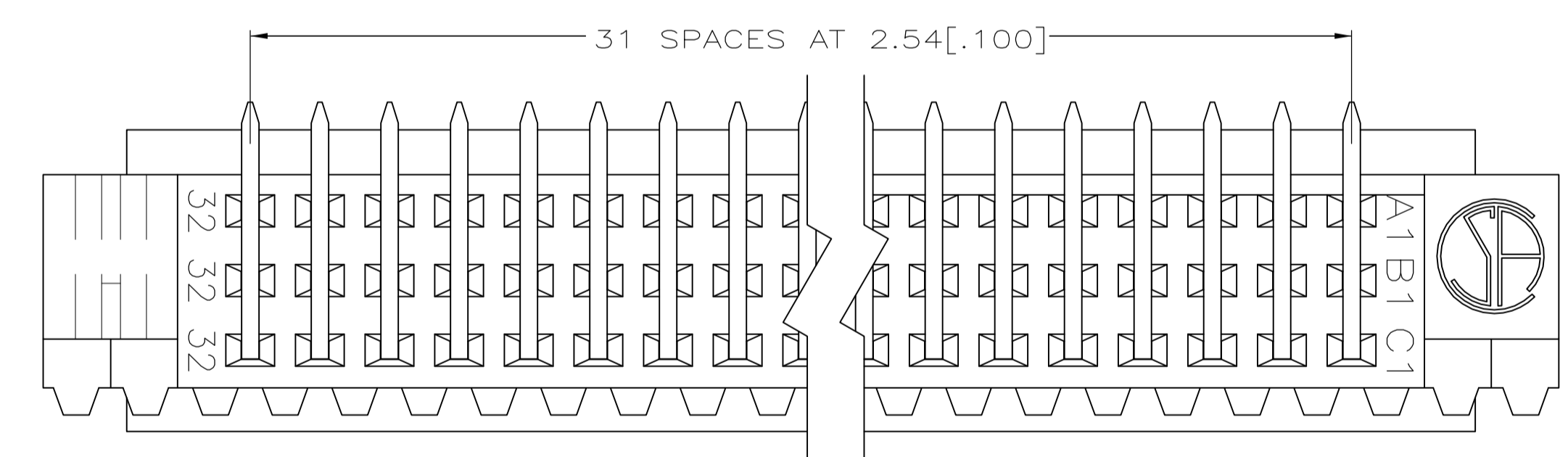


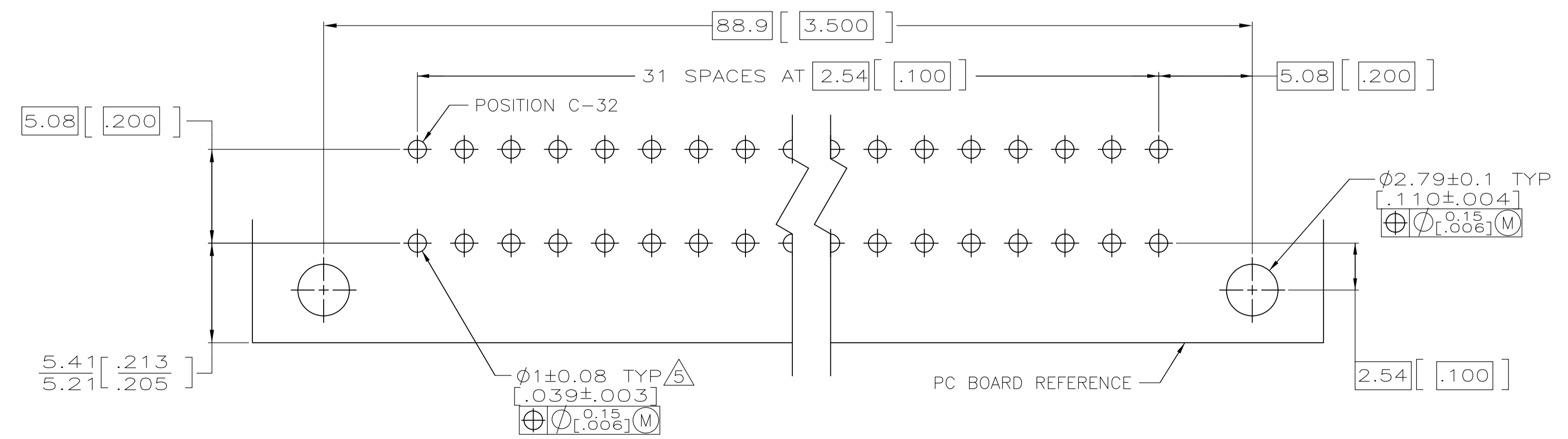
- ① HOUSING MATERIAL: GLASS-FILLED POLYMER.
- ② POST MATERIAL: COPPER ALLOY.
- ③ POST FINISH: DIN 41612 CLASS 2 IN CONTACT AREA. TIN PLATE ON POSTS.
- ④ MARKING ON THIS SIDE.
- ⑤ RECOMMENDED HOLE SIZE FOR MANUAL APPLICATION OF CONNECTOR ONTO PC BOARD.
- ⑥ AMP PART NUMBER, DATE CODE MARKED THIS APPROXIMATE AREA.



SECTION Z-Z



REFERENCE FAMILY DRAWING 650473 FOR ALL TYPE C HEADER OFFERINGS



PC BOARD LAYOUT

1-32	X	-	X	64	5650945-5
POSITIONS LOADED	C	B	A	NO. OF LOADED POSITIONS	PART NUMBER
	ROWS LOADED				

THIS DRAWING IS A CONTROLLED DOCUMENT.		DIN J. POLIGNONE DSMAY05		APVD A. SHARPE DSMAY05	
DIMENSIONS: mm [INCHES]		TOLERANCES UNLESS OTHERWISE SPECIFIED:		NAME ASSEMBLY, PIN, EUROCARD, TYPE C, A and C, 64/96 POSITION, 2.64[.104] SOLDER POST SELECT LOAD	
0 PLC ± -	1 PLC ± -	2 PLC ± 0.13[.005]	3 PLC ± -	4 PLC ± -	ANGLES ± -
MATERIAL	FINISH	SIZE	CAGE CODE	DRAWING NO	RESTRICTED TO
①/②	③	A1	00779	5650945	-
CUSTOMER DRAWING			SCALE	SHEET	REV
			5:1	1 of 1	A

X-ON Electronics

Largest Supplier of Electrical and Electronic Components

Click to view similar products for [DIN 41612 Connectors](#) category:

Click to view products by [TE Connectivity](#) manufacturer:

Other Similar products are found below :

[004.767](#) [608489050008049](#) [691327-1](#) [74670-0732](#) [74680-0340](#) [75880-0015](#) [76453-0014](#) [86093159ALF](#) [9732967801](#) [QLC260R](#)
[120X10019X](#) [120X10089X](#) [122A10249X](#) [122A11089X](#) [122A13089X](#) [122A10089X](#) [122A10129X](#) [122A10349X](#) [122A13359X](#) [1377391-4](#)
[DIN-048CPC-SR1-MH](#) [1393583-2](#) [1393726-7](#) [140X10129X](#) [143-1913-000](#) [143-1908-000](#) [1484472-1](#) [2110070-1](#) [2110070-2](#) [CBC20T00-](#)
[008FDS5-0-1-002VR](#) [172699-5036](#) [2-1393557-4](#) [2-1437084-2](#) [394506](#) [419-2080-402](#) [419-2085-302](#) [V42254B2202C968](#) [419-2086-201](#) [419-](#)
[2087-002](#) [448657-1](#) [448847-3](#) [5-1393755-9](#) [02990000004](#) [033020](#) [054302](#) [043556](#) [0760557108](#) [09062483201750](#) [0850033067](#)
[09031646555](#)