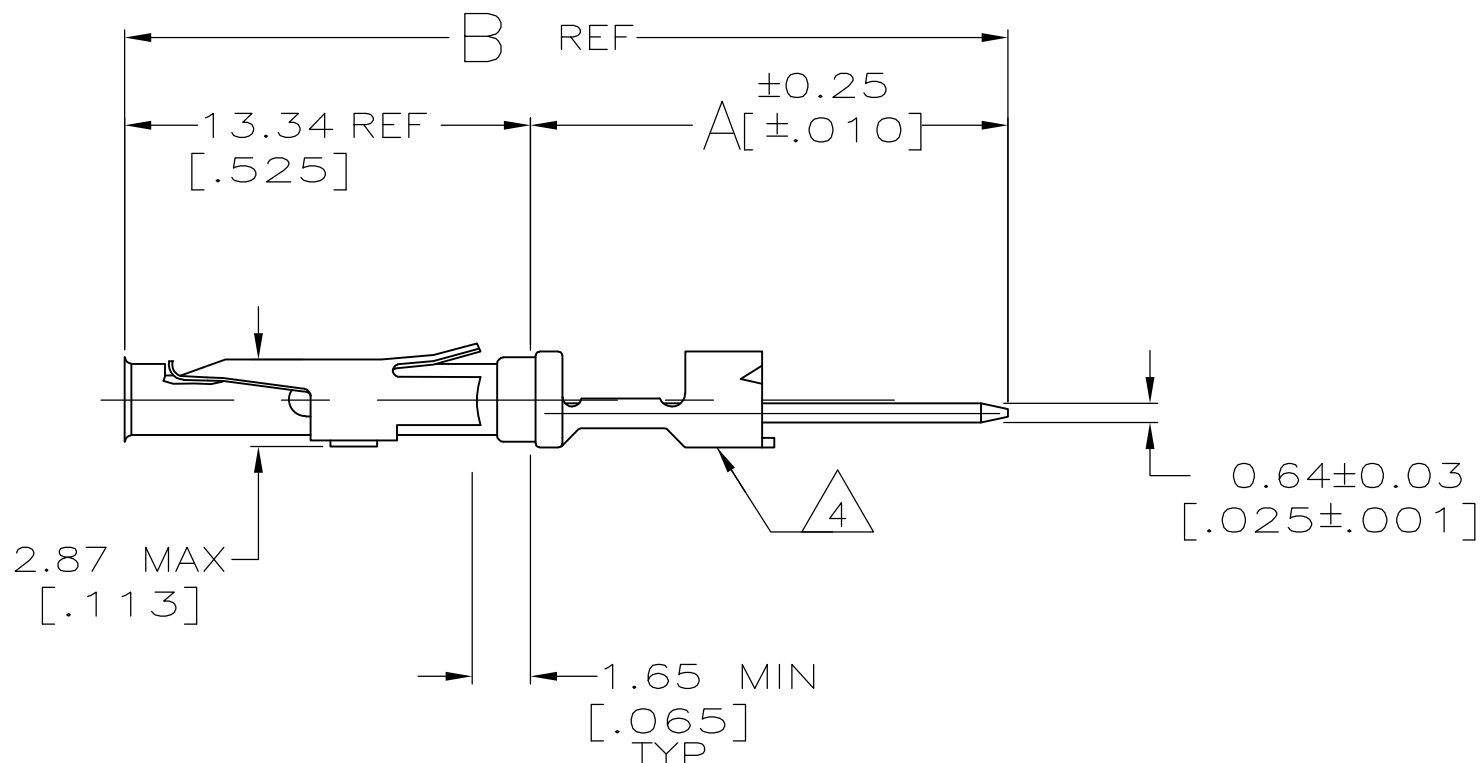
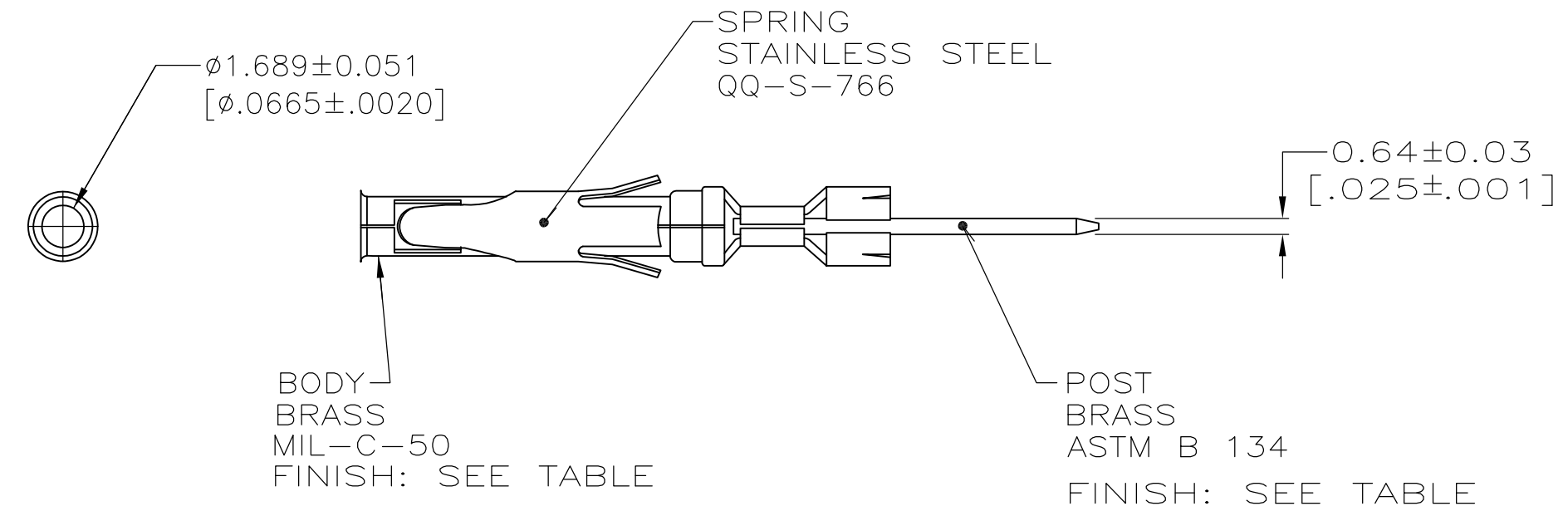


THIS DRAWING IS UNPUBLISHED. RELEASED FOR PUBLICATION
 © COPYRIGHT - By - ALL RIGHTS RESERVED.

REVISIONS					
P	LTR	DESCRIPTION	DATE	DWN	APVD
AV6		REVISED PER ECO-16-004223	19JUL2016	NK	MZ
AW		REVISED PER ECO-16-017462	08MAR2017	RS	MZ



- 1 2.54um [.000100] MIN TIN-LEAD PER MIL-T-10727 OVER
1.27um [.000050] MIN NICKEL PER QQ-N-290.
- 2 2.76um [.000030] MIN GOLD PER MIL-G-45204 ON MATING END FOR A LENGTH OF 5.08 [.200] MIN WITH A UNIFORM GRADIENT TO 0.25um [.000010] MIN GOLD PER MIL-G-45204 ON THE REMAINDER OVER 1.27um [.000050] MIN NICKEL PER QQ-N-290.
- 3 2.54um [.000100] MIN TIN-LEAD PER MIL-T-10727 OVER
1.27um [.000050] MIN NICKEL PER QQ-N-290.
- 4 GOLD PLATING NEED NOT APPEAR ON WIRE BARREL.
- 5 0.76um [.000030] MIN GOLD PER MIL-G-45204 ON MATING END FOR A LENGTH OF 5.08 [.200] MIN, GOLD FLASH ON THE REMAINDER OVER 1.27um [.000050] MIN NICKEL PER QQ-N-290.
- 6 .000100 MIN TIN PER MIL-T-10727, OVER
.000050 MIN NICKEL PER QQ-N-290.
- 7 .000030 MIN GOLD PER MIL-G-45204, OVER
.000050 MIN NICKEL PER QQ-N-290.
- 8 OBSOLETE PARTS: OBSOLETE CIS STREAMLINING PER D.RENAUD/D.SINISI

	B	A	NO OF TERM	POST FINISH	BODY FINISH	PART NUMBER
PRELIMINARY	34.44 [1.356]	21.11 [.831]	2	7	6	5-66461-7
	29.13 [1.147]	15.80 [.622]	1	6	2	5-66461-6
	29.13 [1.147]	15.80 [.622]	1	6	5	5-66461-5
	29.13 [1.147]	15.80 [.622]	1	6	6	5-66461-4
PRELIMINARY	34.44 [1.356]	21.11 [.831]	2	3	1	5-66461-3
OBSOLETE	49.40 [1.945]	36.07 [1.420]	SPECIAL	3	5	5-66461-1
8 OBSOLETE	30.68 [1.208]	17.35 [.683]	SPECIAL	3	1	2-66461-2
8 SUPERSEDED	34.44 [1.356]	21.11 [.831]	2	3	1	2-66461-1
OBSOLETE	41.48 [1.633]	28.14 [1.108]	SPECIAL	3	5	2-66461-0
	30.68 [1.208]	17.35 [.683]	SPECIAL	3	1	1-66461-9
OBSOLETE	29.64 [1.167]	16.31 [.642]	SPECIAL	3	5	1-66461-8
OBSOLETE	27.97 [1.101]	14.63 [.576]	SPECIAL	3	5	1-66461-7
OBSOLETE	25.68 [1.011]	12.34 [.486]	SPECIAL	3	5	1-66461-3
	43.46 [1.711]	30.12 [1.186]	SPECIAL	3	5	1-66461-0
	39.24 [1.545]	25.91 [1.020]	3	3	5	66461-9
	34.44 [1.356]	21.11 [.831]	2	3	5	66461-8
	29.13 [1.147]	15.80 [.622]	1	3	5	66461-7
	39.24 [1.545]	25.91 [1.020]	3	3	2	66461-6
	34.44 [1.356]	21.11 [.831]	2	3	2	66461-5
	29.13 [1.147]	15.80 [.622]	1	3	2	66461-4
	39.24 [1.545]	25.91 [1.020]	3	3	1	66461-3
	34.44 [1.356]	21.11 [.831]	2	3	1	66461-2
	29.13 [1.147]	15.80 [.622]	1	3	1	66461-1

THIS DRAWING IS A CONTROLLED DOCUMENT. DWN 07/02/92
 C.OBERMAN
 CHK 7-8-92
 R.STONE
 APVD 7-10-92
 C.OBERMANN
 PRODUCT SPEC

TE Connectivity

NAME SOCKET CONTACT, CRIMPED
 .062 DIA, .025 X .025 POST,
 AUTOWIRE

SIZE A2 CAGE CODE 00779 DRAWING NO C-66461 RESTRICTED TO

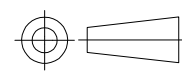
MATERIAL SEE CALLOUT FINISH SEE CALLOUT WEIGHT - SCALE 4:1 SHEET 1 OF 2 REV AW

CUSTOMER DRAWING

THIS DRAWING IS UNPUBLISHED. RELEASED FOR PUBLICATION
 © COPYRIGHT - By - ALL RIGHTS RESERVED.

REVISIONS					
P	LTR	DESCRIPTION	DATE	DWN	APVD
-	-	SEE SHEET 1	-	-	-
-	-	SEE TABLE 1	-	-	-

	OBSOLETE	49.40 [1.945]	36.07 [1.420]	SPECIAL	△6	△5	9-66461-9
		30.68 [1.208]	17.35 [.683]	SPECIAL	△6	△6	7-66461-0
△8	OBSOLETE	30.68 [1.208]	17.35 [.683]	SPECIAL	△6	△6	6-66461-5
		41.48 [1.633]	28.14 [1.108]	SPECIAL	△6	△5	6-66461-4
		39.24 [1.545]	25.91 [1.020]	3	△6	△5	6-66461-3
		34.44 [1.356]	21.11 [.831]	2	△6	△5	6-66461-2
△8	OBSOLETE	39.24 [1.545]	25.91 [1.020]	3	△6	△2	6-66461-1
		34.44 [1.356]	21.11 [.831]	2	△6	△2	6-66461-0
		39.24 [1.545]	25.91 [1.020]	3	△6	△6	5-66461-9
		34.44 [1.356]	21.11 [.831]	2	△6	△6	5-66461-8
		B	A	NO OF TERM	POST FINISH	BODY FINISH	PART NUMBER

THIS DRAWING IS A CONTROLLED DOCUMENT.		DWN C.OBERMAN 07/02/92	STE TE Connectivity	
		CHK R.STONE 7-8-92		
		APVD C.OBERMANN 7-10-92	NAME	
DIMENSIONS: INCHES		TOLERANCES UNLESS OTHERWISE SPECIFIED:		SOCKET CONTACT, CRIMPED .062 DIA, .025 X .025 POST, AUTOWIRE
		0 PLC ± - 1 PLC ± - 2 PLC ± 0.13 [.005] 3 PLC ± - 4 PLC ± - ANGLES ± -		
MATERIAL SEE CALLOUT		FINISH SEE CALLOUT		RESTRICTED TO
		WEIGHT -	SIZE A2	CAGE CODE 00779
		DRAWING NO 66461		REV AW
		CUSTOMER DRAWING		SCALE 4:1
		SHEET 2 of 2		

X-ON Electronics

Largest Supplier of Electrical and Electronic Components

Click to view similar products for [Standard Circular Contacts](#) category:

Click to view products by [TE Connectivity](#) manufacturer:

Other Similar products are found below :

[RC16M23J](#) [133780-1](#) [RM20M13D28](#) [RM24M9D28](#) [RMMX110-1D28](#) [MS3474W10-6P L/C](#) [ELFH02211](#) [ELVP16100E](#) [164-901-CD](#)
[BACS16X1A](#) [EN3545007SCE](#) [BV002BSQ20049CZ](#) [BV002SSQ160404CZ](#) [1900ND05S1B00B](#) [SJS862201](#) [166566-1](#) [1900ND04S1X00D](#)
[ST-JL05-16S-C3-100](#) [ST-JL05-20S-C1-100](#) [ST-JL05-20S-C2-100](#) [T01-CRIMP-S03](#) [APK-SA16A07-002](#) [27963-15T12](#) [CONT-JL05-08S-C2-10](#) [CONT-JL05-12S-C1-10](#) [RC16M-23T](#) [RFD26L-1D28](#) [BV002ASJ16049CW](#) [JN1-22-20S-R-PKG100](#) [031-50213](#) [031-50794](#) [SJS861301M](#)
[ST-JL05-16S-C1-100](#) [ST-JL05-20P-C1-100](#) [82911466K](#) [82911467NK](#) [192991-0087](#) [192900-0570](#) [T3P16FC3LZ](#) [ST-JL05-16S-C2-3500](#) [ZP-4016-10NF](#) [CONT-JL05-12P-C1-10](#) [RM20M12G8D28](#) [031-50676](#) [12115010110](#) [RJFTVC2MG](#) [CAP-DACMDPC2](#) [031-50675-002](#) [CAP-DD1FDPC2](#) [CAP-DACMDPC1](#)